

WESDOM



WESDOM GROUP

集团总部：中国·郑州华南城中原电商大厦
分工厂：上海·天津·河北·山东·温州·连云港
驻外分公司：非洲·坦桑尼亚·赞比亚·肯尼亚

国际贸易部：+86-13203812911
国内贸易部：+86-13849013722

坦桑尼亚：+255744222807
+255744222808

赞比亚：+260972377777
+260963767287

肯尼亚：+254780021428

www.wsdmeter.com

Group headquarters: Central Plains E-Commerce Building, Zhengzhou South City, China
Branch Factory: Shanghai, Tianjin, Hebei, Shandong, Wenzhou, Lianyungang
Branch Company in Overseas: Tanzania, Zambia, Kenya in Africa

International Trading Department: +86-013203812911
Inland Trading Department: +86-013849013722

P.O Box 3922, mikocheni B, Dar Es Salaam, Tanzania ✉ Weisidunvalve2015@gmail.com

Mungwi Road(adjacent to check point), Lusaka, Zambia

Nairobi, Kenya ✉ Weisidunvalve@gmail.com

✉ info@wsdmeter.com



WESDOM Water Meter

WESDOM GROUP

WESDOM GROUP

Enterprise Social Responsibility

WESDOM are not only concerned about products, services and solutions.

WESDOM promise to implement sustainable development and benefit society with energy-saving and environmental protection.

Our Purpose: People-Oriented, Hard Work, Never Forget the Original Intention; Innovation and Forge Ahead.

Our Mission: To be a high-quality supplier of fluid control systems and plan maker; To contribute our wisdom and strength to the development of the cutting-edge technology of fluid control systems.

Our Vision: Explore the internal innovation spirit and creativity, pursuit, innovation and continuous improvement. Use wisdom, foresight and hard work to make "WESDOM" a world-renowned brand; Make the group company grow into a respectable "Four Satisfaction" enterprise:

Customer Satisfaction: Use high-quality products and refined services to add value to customers;

Employee Satisfaction: People-oriented, build a platform for all employees to realize their dreams, everyone is the CEO;

Partner Satisfaction: Mutual promotion, improvement, mutual benefit and win-win;

Shareholder Satisfaction: Enable the company to develop and grow, and return profits.

Our Values: Create differentiated value-added services for customers, let everyone in the company has a sense of accomplishment.



Company Introduction



WESDOM Group specializes in pipeline fluid systems: R&D, production and sales of valves, pipe fittings, water meters, flow meters, etc. The products cover cast iron, cast steel, stainless steel, copper, plastics and other materials, which are widely used in hydropower stations, heat, buildings, water supply and drainage, petroleum, chemical industry, electric power, medical and other fields.

In recent years, WESDOM Group has actively embraced the era of Internet of Everything, committed to IOT terminal control and artificial intelligence design, big data mining and development, and promoted smart hardware to move towards big data center and wisdom with excellent market foresight and technological innovation. The smart cities, smart heating, smart water and other fields are in progress.

In the early stage, the Internet of Things smart valves and smart water meters were developed to promote and apply smart control systems such as municipal heating and municipal water supply.

In terms of quality control, we have strict control procedures. From the raw materials entering the factory to the final product leaving the factory, after 24 quality inspection passes, each pass must ensure that the product quality is 100% qualified before it can flow into the next process, thus ensuring that the qualified rate of the finished products. WESDOM products can well meet the Chinese standard like GB, JB, HB; American standard like API, ASME, AWWA; British and EU standards like BS, EN, ISO; German standard DIN; Japanese standard JIS; Russian standard GOST and other standards.



WESDOM GROUP

Development History



2010

WESDOM was established

In December 2010, WESDOM was registered with a registered capital of 5 million yuan;

June 2013, WESDOM passed ISO and other international certifications;

2015

WESDOM established the first overseas branch

In June 2014, TIANJIN WESDOM VALVE MANUFACTURING CO.,LTD. was established in Tianjin, where the production of butterfly valves is concentrated;

2016

WESDOM products are exported to overseas regions and markets

In July 2015, the first overseas branch company WEISIDUN MATERIAL SOLUTION COMPANY was established in the beautiful African continent –Tanzania, and WESDOM began to expand into the international market;

In December 2015, WESDOM established a special foreign trade import and export company in Zhengzhou, the hinterland of the Central Plains HENAN WEISIDUN IMPORT AND EXPORT TRADE CO.,LTD.,to make up for the domestic shortcomings of entering the international market;

In 2016, WESDOM brand products have been exported to Tanzania, Zambia, Egypt, Turkey, Pakistan, Thailand, Indonesia, Vietnam, the Philippines, Saudi Arabia, Mexico and other countries and regions;

In 2017, the company carried out production, procurement adjustments and layouts, expanded product series, initially formed a production and procurement system for water series products (control and connection systems), and established a procurement system for major production clusters across the south and north. ;

2018

Zambia branch was established, and the group company expanded its measurement products series

In January 2018, the second exclusive import and export company was established—HENAN WESDOM FLOW CONTROL CO.,LTD.In August of the same year, the second overseas branch company –WESDOM VALVES AND FITTINGS COMPANY LIMITED was established in Zambia, Africa;

2019

WESDOM launched a series of plastic materials

In 2018, the series of measurement products (water meters, flow meters) were expanded, and the supply chain system was further enriched and improved;

2020

WESDOM sales exceeded 100 million yuan

In 2019, a series of plastic material products were launched; the company's valves and pipe fittings passed the CE certification; WESDOM overall sales performance exceeded 90 million in the same year;

2021

Kenya branch is established, WESDOM products occupy the African market

In 2020, under the influence of the unfavorable factors of the domestic and foreign epidemic situation, the company has achieved the goal of breaking 100 million yuan in addition to the continuous growth of sales.

In April 2021, the Kenya branch WESDOM VALVES AND FITTINGS(K) CO LIMITED was established and operated well, its products occupy the African market successfully.

To be continued...





Contents

- 01 Multi-jet Type Dry-dial Brass Body Water Meter
- 03 Multi-jet Type Dry-dial Plastic Body Water Meter
- 05 LXSG-C Class C Water Meter
- 07 Multi-jet Type Dry-dial Vertical Type Water Meter
- 09 Single Jet Dry Type-5 Wheels
- 11 Single Jet Dry Type-8 Wheels
- 13 Movement Copper Sealed Water Meter
- 16 Volumetric Water Meter
- 17 Woltman Water Meter
- 20 Irrigation Water Meter
- 23 Large Caliber Woltman Water Meter
- 25 Vertical Removable Element Woltman Water Meter
- 27 LXC-S7 Ultrasonic Water Meter Household
- 29 LXC-S8 Ultrasonic Water Meter-Bulk
- 31 LXSG-S9 Prepaid Water Meter-Household
- 33 LXLZG Prepaid Water Meter-Bulk
- 35 LXSK-S9 GPRS Water Meter
- 37 LXSK-S5 GPRS Water Meter
- 39 LXSKZ-S9 LoRa Water Meter
- 41 LXSKG-S9 LoRaWan Water Meter
- 43 LXSG-S9 NB-IOT Water Meter
- 45 Smart Water Meter Selection Guide
- 46 Water Meters Box
- 47 Filter For Water Meter
- 48 Water Meter Parts



Multi-jet Type Water Meter

Dry-dial Brass body water meters

It is a multi-jet dry type water meter for residential application in sizes 15mm–50mm for cold/hot water.

Features

- Magnetic Drive, Lower transmission resistance.
- Magnetic shield, for external magnetic field protection.
- Sealed dry register ensures long time clear reading.
- External regulating device.

Accessories: 2pcs coupling, 2pcs coupling nuts and 2pcs washers.

Standards Compliance

Technical data conform to international standard ISO 4064.

Optional Features

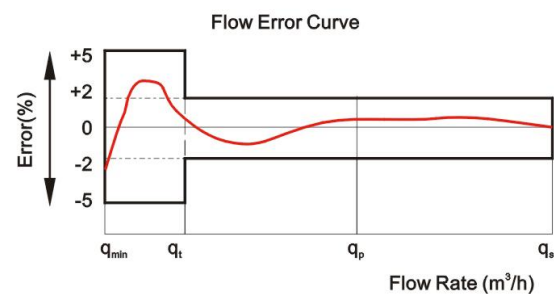
- Register sealed type: Dry type; Semi-dry type; Super-dry type.
- Accuracy: R=80; 100; 125; 160.
- Size: 15~50mm.
- Cold/hot Water.
- Non return valve.
- Reed switch option.
- Several lengths and connections available on request.
- Thread end type: BSP/NPT.

Working Conditions

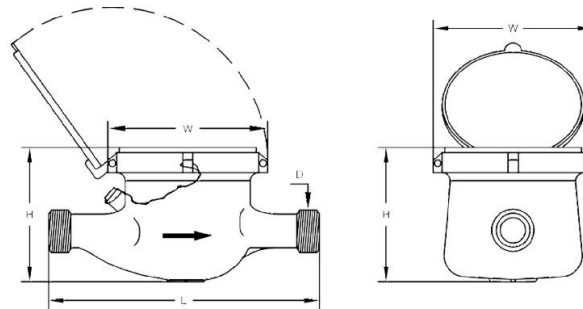
- Water temperature: 0.1°C ~ 40°C for cold water meter.
- 0.1°C ~ 90°C for hot Water meter.
- Water pressure: ≤ 1.6MPa (16 bar).

Maximum Permissible Error

- In the lower zone from q_{min} inclusive up to but excluding q_t is $\pm 5\%$.
- In the upper zone from q_t inclusive up to and including q_s is $\pm 2\%$; $\pm 3\%$ for hot water meter.



Overall Dimension And Weight



DN (mm)	15	20	25	32	40	50	50
Size (inch)	1/2"	3/4"	1"	1 1/4"	1 1/2"	2"	2"
Length (L)	165/190	190	260	260	300	300	280
Width (W)	99/104	98	103.5	103.5	125	125	160
Height (H)	116/121	117	124	124	162	162	187.5
Connecting Thread D	G3/4B	G1B	G1 1/4B	G1 1/2B	G2B	G2 1/2B	Flange end
Weight (kgs)	1.65	1.79	1.85	2.68	5.25	7.25	



Exploded View



Warranty

All meters will be guaranteed against defects in workmanship and materials for a period of one(1) year from the date of acceptance. Defective meters or parts discovered within this period shall be replaced without charge upon return to the WESDOM Meters.

Water Meter

Technical Data

DN(mm)	15	20	25	32	40	50	
Size(inch)	1/2"	3/4"	1"	1 1/4"	1 1/2"	2"	
Q4(l/h)	3125	5000	7875	12500	20000	31250	
Q3(l/h)	2500	4000	6300	10000	16000	25000	
R=80	Q2(l/h)	50	80	126	200	320	400
	Q1(l/h)	31.25	50	78.75	125	200	250
R=100	Q2(l/h)	40	64	100.8	160	256	400
	Q1(l/h)	25	40	63	100	160	250
R=125	Q2(l/h)	32	51.2	80.64	128	204.8	200
	Q1(l/h)	20	32	50.5	80	128	
R=160	Q2(l/h)	22.5	40	63	100	160	400
	Q1(l/h)	15.62	25	39.37	62.5	100	250
Max. Reading(m³)	99,999	99,999	99,999	99,999	99,999	99,999	
Min. Reading(Liter)	0.05	0.05	0.05	0.05	0.05	0.05	
Max. Pressure(Bar)	16	16	16	16	16	16	
Pressure Loss(ΔP)	63						
Max. Temperature	T=50/90						
Pulse Output Option	Vmax=24V						
	Imax=100mA						
	Pmax=2W						

Pulse Output Option



Magnet Position	Liter/Pulse
*0.0001	1
*0.001	10
*0.01	100
*0.1	1000

Multi-jet Type Water Meter

Dry-dial Plastic body water meters

It is a multi-jet dry type water meter for residential application in sizes 15mm–50mm for cold water.

Features

- All the plastic raw material is 100% new material, not any second-hand material.
- High working pressure can afford PN16.
- Magnetic Drive, Lower transmission resistance.
- Magnetic shield, for external magnetic field protection.
- Sealed dry register ensures long time clear reading.
- External regulating device.

Accessories: 2pcs coupling, 2pcs coupling nuts and 2pcs washers.

Standards Compliance

Technical data conform to international standard ISO 4064.

Optional Features

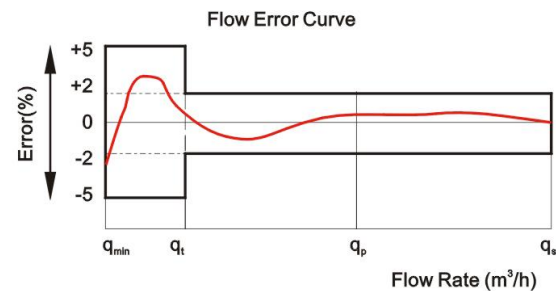
- Register Sealed type: Dry type.
- Accuracy: R80, R100, R160.
- Size: 15 ~ 50mm.
- Non return valve.
- Reed switch option.
- Thread end type: BSP/NPT.

Working Conditions

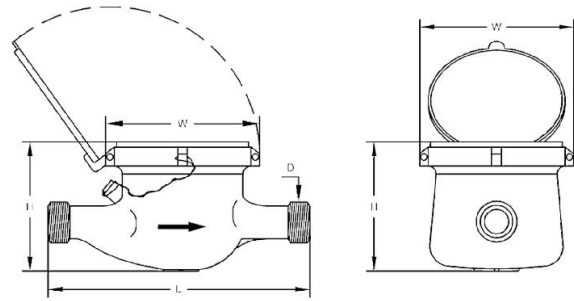
- Water temperature: 0.1°C ~ 40°C for cold water meter.
- Water pressure: ≤ 1.6MPa (16 bar).

Maximum Permissible Error

- In the lower zone from q_{min} inclusive up to but excluding q_t is $\pm 5\%$.
- In the upper zone from q_t inclusive up to and including q_s is $\pm 2\%$.



Overall Dimension And Weight



DN (mm)	15	20	25	32	40	50	50
Size (inch)	1/2"	3/4"	1"	1 1/4"	1 1/2"	2"	
Length (L)	165/190	190	260	260	300	300	280
Width (W)	99/104	98	103.5	103.5	125	125	160
Height (H)	116/121	117	124	124	162	162	187.5
Connecting Thread D	G3/4B	G1B	G1 1/4B	G1 1/2B	G2B	G2 1/2B	Flange end
Weight (kgs)	1.65	1.79	1.85	2.68	5.25	7.25	



Water Meter

Exploded View



Technical Data

DN(mm)	15	20	25	32	40	50	
Size(inch)	1/2"	3/4"	1"	1 1/4"	1 1/2"	2"	
Q4(l/h)	3125	5000	7875	12500	20000	31250	
Q3(l/h)	2500	4000	6300	10000	16000	25000	
R=80	Q2(l/h)	50	80	126	200	320	400
	Q1(l/h)	31.25	50	78.75	125	200	250
R=100	Q2(l/h)	40	64	100.8	160	256	400
	Q1(l/h)	25	40	63	100	160	250
R=125	Q2(l/h)	32	51.2	80.64	128	204.8	200
	Q1(l/h)	20	32	50.5	80	128	
R=160	Q2(l/h)	22.5	40	63	100	160	400
	Q1(l/h)	15.62	25	39.37	62.5	100	250
Max. Reading(m³)	99,999	99,999	99,999	99,999	99,999	99,999	
Min. Reading(Liter)	0.05	0.05	0.05	0.05	0.05	0.05	
Max. Pressure(Bar)	16	16	16	16	16	16	
Pressure Loss(ΔP)	63						
Max. Temperature	T=50/90						
Pulse Output Option	Vmax=24V						
	Imax=100mA						
	Pmax=2W						

Pulse Output Option



Magnet Position	Liter/Pulse
*0.0001	1
*0.001	10
*0.01	100
*0.1	1000

Warranty

All meters will be guaranteed against defects in workmanship and materials for a period of one(1) year from the date of acceptance. Defective meters or parts discovered within this period shall be replaced without charge upon return to the WESDOM Meters.

LXSG-C water meters

WESDOM LXSG-C PLUS is IMPELLER (turbine) water meter with dry type register for residential application with sizes from DN15 to Dn50 designed by WESDOM and meets to the International Standard ISO 4064 Class C

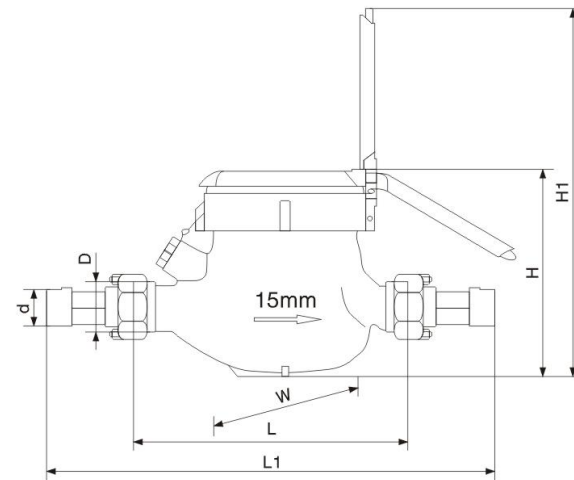
Characteristics

- All the Materials in contact with water, consciously selected by the known resistance to corrosion;
- Cold water meter under current standard for lower than 30°C (T30), but NWM LXSG-C PLUS can be used safely in water temperature up to 50°C(T50);
- The indicator register is of 5 Rollers and 4 Pointers;
- The Impeller is the only moving parts in contact with water permitting the most reliable;
- The inlet filter at the inlet of the meter body permits cleaning it without breaking the metrological seal;
- The conception of the Magnetic Protection to against the external influences;
- The highest sensitivity dry type water meter;
- Non Return Valve to avoid the reserve flow Rate AS OPTION;
- The indicator register is of 8 Rollers with 1 Pointer AS OPTION.

Max. Permission Error:

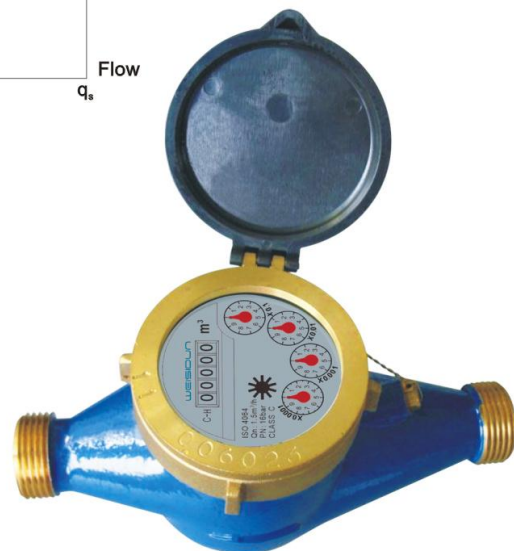
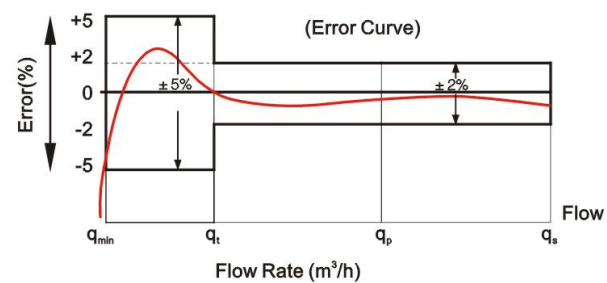
- From Qmin inclusive up to but excluding Qt is ± 5%;
- From Qt inclusive up to and including Qmax is ± 2%.

Dimension



Size	15	20	25	32	40	50
L	165	190	260	260	300	300
L1	259	294	380	384	431	448
D	G3/4B	G1B	G1 ¹ / ₄ B	G1 ¹ / ₂ B	G2B	G2 ¹ / ₂ B
d	R1/2	R3/4	R1	R1 ¹ / ₄	R1 ¹ / ₂	R2
H	107.5	107.5	117.5	117.5	141.5	177
H1	191	191	206.5	206.5	256.5	292
W	94	94	98	98	122	145

L1: The total length with connection and the gasket without compression.

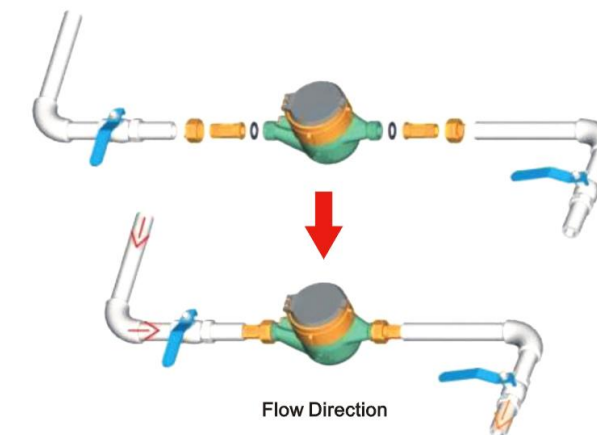


Main Technical Data

Size	mm	15	20	25	32	40	50
Class		C					
Qmax	m ³ /h	3	5	7	12	20	30
Qn	m ³ /h	1.5	2.5	3.5	6	10	15
Qt	l/h	22.5	37.5	52.5	90	150	225
Qmin	l/h	15	25	35	60	100	150
Max. Reading	m ³	99999.9999			999999.9999		
Min. Reading	Liter	0.05					
Pressure Loss	ΔP	ΔP < 1bar at Qmax					
Max. Pressure	Bar	16					
Max. Temperature	°C	T30 or T50					

Installation

- The meters should be installed in HORIZONTAL position with the direction of the flow as indicated by the arrow cast on the meter body with register face upwards;
- Pipeline must be flushed before installation;
- The meter should be constantly full of water during operation.
- WESDOM Suggest to Installation the water meter as:



Warranty

All meters will be guaranteed against defects in workmanship and materials for a period of one(1) year from the date of acceptance. Defective meters or parts discovered within this period shall be replaced without charge upon return to the WESDOM Meters.

Multi-jet Type Water Meter

Dry-dial Vertical Type Water Meters

It is a multi-jet dry type water meter for residential application in sizes 15mm–50mm for cold/hot water.

Features

- Magnetic Drive, Lower transmission resistance.
- Magnetic shield, for external magnetic field protection.
- Sealed dry register ensures long time clear reading.
- External regulating device.

Accessories: 2pcs coupling, 2pcs coupling nuts and 2pcs washers.

Standards Compliance

Technical data conform to international standard ISO 4064.

Optional Features

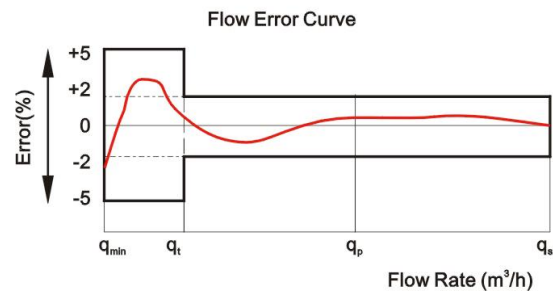
- Register Sealed type: Dry type; Super-dry type.
- Accuracy: R=80.
- Size: 15 ~ 50mm.
- Cold/hot water.
- Non return valve.
- Reed switch option.
- Several lengths and connections available on request.
- Thread end type: BSP/NPT.

Working Conditions

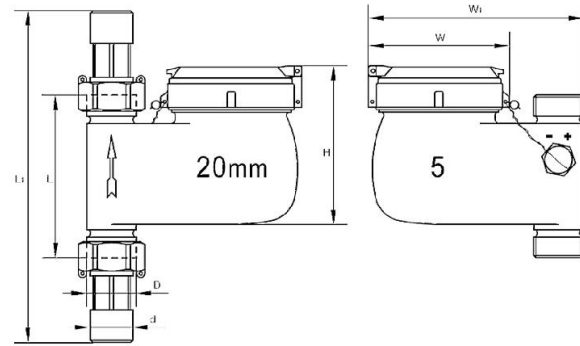
- Water temperature: 0.1°C ~ 40°C for cold water meter.
- 0.1°C ~ 90°C for hot Water meter.
- Water pressure: ≤ 1.6MPa (16 bar).
- The meter should be installed in vertical position with the direction of the flow as indicated by the arrow cast in the meter body with the register face upwards.
- Pipelining must be flushed before installation.
- The meter should be constantly full of water during operation.

Maximum Permissible Error

- In the lower zone from q_{min} inclusive up to but excluding q_t is $\pm 5\%$.
- In the upper zone from q_t inclusive up to and including q_s is $\pm 2\%$; $\pm 3\%$ for hot water meter.



Overall Dimension And Weight



DN (mm)	15	20	25	32	40
Size (inch)	1/2"	3/4"	1"	1 1/4"	1 1/2"
L1	195	204	228	274	278
L	100	100	108	150	150
H	99.5	99.5	122.6	133.6	133.6
W1	133	137	166	220	228
Connecting Thread D	G3/4B	G1B	G1 1/4B	G1 1/2B	G2B
d	R1/2	R3/4	R1	R1 1/4	R1 1/2



Water Meter

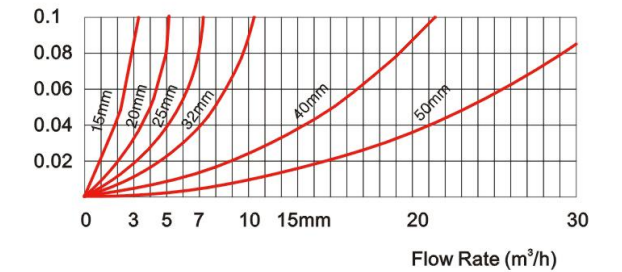
Exploded View



Technical Data

DN(mm)	15	20	25	32	40	50
Size(inch)	1/2"	3/4"	1"	1 1/4"	1 1/2"	2"
Q4(l/h)	3125	5000	7875	12500	20000	31250
Q3(l/h)	2500	4000	6300	10000	16000	25000
R=80	Q2(l/h)	50	80	126	200	320
	Q1(l/h)	31.25	50	78.75	125	200
Max. Reading(m³)	99,999	99,999	99,999	99,999	99,999	99,999
Min. Reading(Liter)	0.05	0.05	0.05	0.05	0.05	0.05
Max. Pressure(Bar)	16	16	16	16	16	16
Pressure Loss(ΔP)	63					
Max. Temperature	T=50/90					
Pulse Output Option	Vmax=24V					
	Imax=100mA					
	Pmax=2W					

Pressure Loss Curve



Warranty

All meters will be guaranteed against defects in workmanship and materials for a period of one(1) year from the date of acceptance. Defective meters or parts discovered within this period shall be replaced without charge upon return to the WESDOM Meters.

Single Jet Dry Type-5 Wheels

Single-jet, vane wheel, dry-dial water meter

This type of water meter can be used for a remote reading transmission system as equipped with a built-in sensor.

Application

Measuring the volume of cold potable water passing through the pipeline.

Features

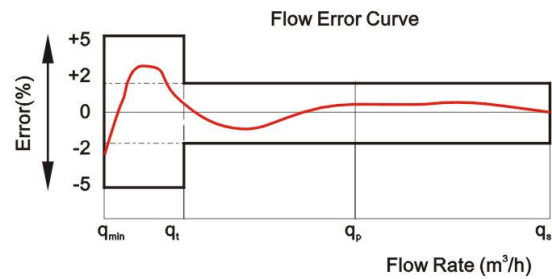
- Single-jet, dry-dial, free rotating register, small in size and light in weight.
- Magnetic drive, Resistance to exterior magnet interference.
- Keep the reading clear in a long term service.

Working Conditions

- Water temperature: 0.1°C ~ 40°C (0.1°C ~ 90°C for hot water meter).
- Water pressure: ≤ 1.0MPa.

Maximum Permissible Error

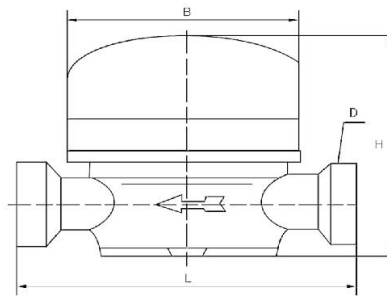
- In the lower zone from q_{min} inclusive up to but excluding q_t is $\pm 5\%$.
- In the upper zone from q_t inclusive up to and including q_s is $\pm 2\%$.
- Hot water meter $\pm 3\%$.



Optional Features

- Measuring accuracy conform to ISO 4064 class B standard.
- Available with different length on request.
- Body material: Brass/Plastic body.
- Register sealed: Dry-dial only.
- Size: 15 ~ 25mm.
- Cold/hot water.
- Non-return valve.
- Reed switch option.
- Thread end type: BSP/NPT.

Dimensions



Type	Size	L Length	B Width	H Height	D Connecting Thread
		mm			
LXDG-15	15	110	82	89	G3/4B
LXDG-20	20	130	82	89	G1B
LXDG-25	25	130	82	89	G1 1/4B

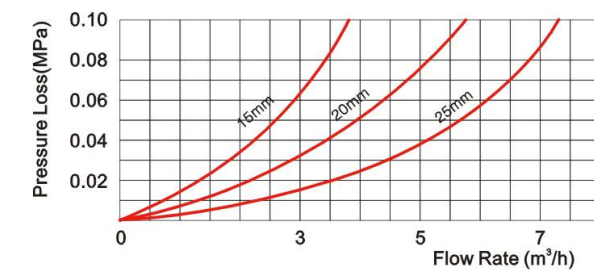


Water Meter

Exploded View



Pressure Loss Curve



Warranty

All meters will be guaranteed against defects in workmanship and materials for a period of one(1) year from the date of acceptance. Defective meters or parts discovered within this period shall be replaced without charge upon return to the WESDOM Meters.

Technical Data

DN(mm)	15	20	25	
Size(inch)	1/2"	3/4"	1"	
Q4(l/h)	3125	5000	7875	
Q3(l/h)	2500	4000	6300	
R=80	Q2(l/h)	50	80	126
	Q1(l/h)	31.25	50	78.75
R=100	Q2(l/h)	40	64	100.8
	Q1(l/h)	25	40	63
R=125	Q2(l/h)	32	51.2	80.64
	Q1(l/h)	20	32	50.5
R=160	Q2(l/h)	22.5	40	63
	Q1(l/h)	15.62	25	39.37
Max. Reading(m³)	99,999	99,999	99,999	
Min. Reading(Liter)	0.05	0.05	0.05	
Max. Pressure(Bar)	16	16	16	
Pressure Loss(ΔP)	63			
Max. Temperature	T=50/90			
Pulse Output Option	Vmax=24V			
	Imax=100mA			
	Pmax=2W			

Pulse Output Option



Magnet Position	Liter/Pulse
*0.0001	1
*0.001	10
*0.01	100
*0.1	1000

Single Jet Dry Type-8 Wheels

Single-jet, vane wheel, dry-dial water meter (mini type with eight number wheels)

Application

Measuring the volume of cold potable water passing through the pipeline.

Features

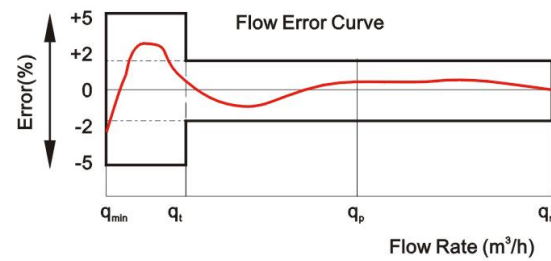
- Single-jet, dry-dial, free rotating register, small in size and light in weight.
- Magnetic drive, Resistance to exterior magnetic interference.
- Keep the reading clear in a long term service.

Working Conditions

- Water temperature: 0.1°C ~ 30°C.
- Water pressure: ≤ 1.0MPa.

Maximum Permissible Error

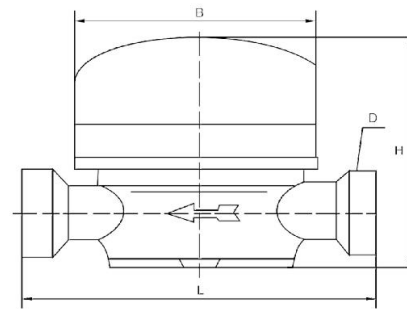
- In the lower zone from Q_{min} inclusive up to but excluding Q_t is $\pm 5\%$.
- In the upper zone from Q_t inclusive up to and including Q_s is $\pm 2\%$.



Optional Features

- Measuring accuracy conform to ISO 4064 class B standard.
- Available with different length on request.
- Body material: Brass/Plastic body.
- Register sealed: Dry-dial only.
- Size: 15 ~ 25mm for Brass body, 15~20 for plastic body.
- Cold/hot water.
- Non-return valve.
- Reed switch option.
- Thread end type: BSP/NPT.

Dimensions



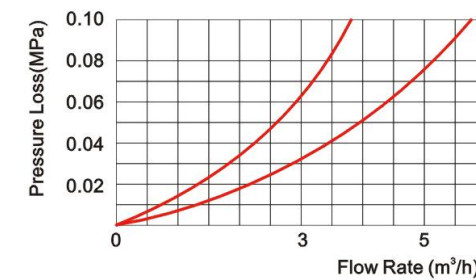
Type	Size	L Length	B Width	H Height	D Connecting Thread
LXDG-15	15	110	67.5	72	G3/4B
LXDG-20	20	130	67.5	73.5	G1B



Exploded View



Pressure Loss Curve



Warranty

All meters will be guaranteed against defects in workmanship and materials for a period of one(1) year from the date of acceptance. Defective meters or parts discovered within this period shall be replaced without charge upon return to the WESDOM Meters.

Water Meter

Technical Data

DN(mm)	15	20	
Size(inch)	1/2"	3/4"	
Q4(l/h)	3125	5000	
Q3(l/h)	2500	4000	
R=80	Q2(l/h)	50	80
	Q1(l/h)	31.25	50
R=100	Q2(l/h)	40	64
	Q1(l/h)	25	40
Max. Reading(m³)	99,999	99,999	
Min. Reading(Liter)	0.05	0.05	
Max. Pressure(Bar)	16	16	
Pressure Loss(ΔP)	63		
Max. Temperature	T=50/90		
Pulse Output Option	Vmax=24V		
	Imax=100mA		
	Pmax=2W		

Pulse Output Option



Magnet Position	Liter/Pulse
*0.0001	1

Movement Copper Sealed Water Meter

Multi-jet, vane wheel, dry-dial cold(hot) water meter

This type of water meter can be used for a remote reading transmission system is equipped with a built-in sensor.

Application

Measuring the total volume of cold (hot) water passing through the pipeline.

Features

- Multi-jet, dry-dial; Magnetic drive;
- Vacuum sealed register ensures the dial keep free from fog and frost, Keep the reading clear in a long term service;
- Removable measuring unit, easy installation and main-tenance, Anti-magnetic function;
- Counter 360 rotates for easy reading;
- Brass body, Out-adjust, Small volume and light weight;
- Technical data conform to international standard ISO4064 (Class B or R80).

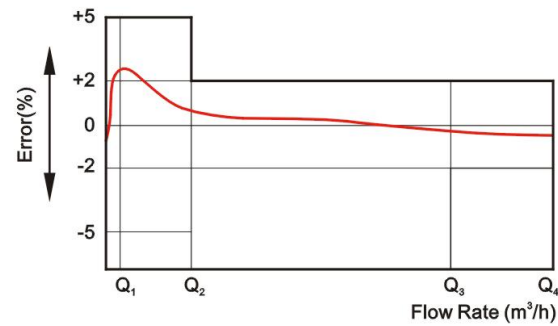
Working Condition

- Water temperature: T30 T50 T90
- Water pressure class: MAP16 MAP10
- Pressure-loss class: $\Delta p63$

Maximum Permissible Error

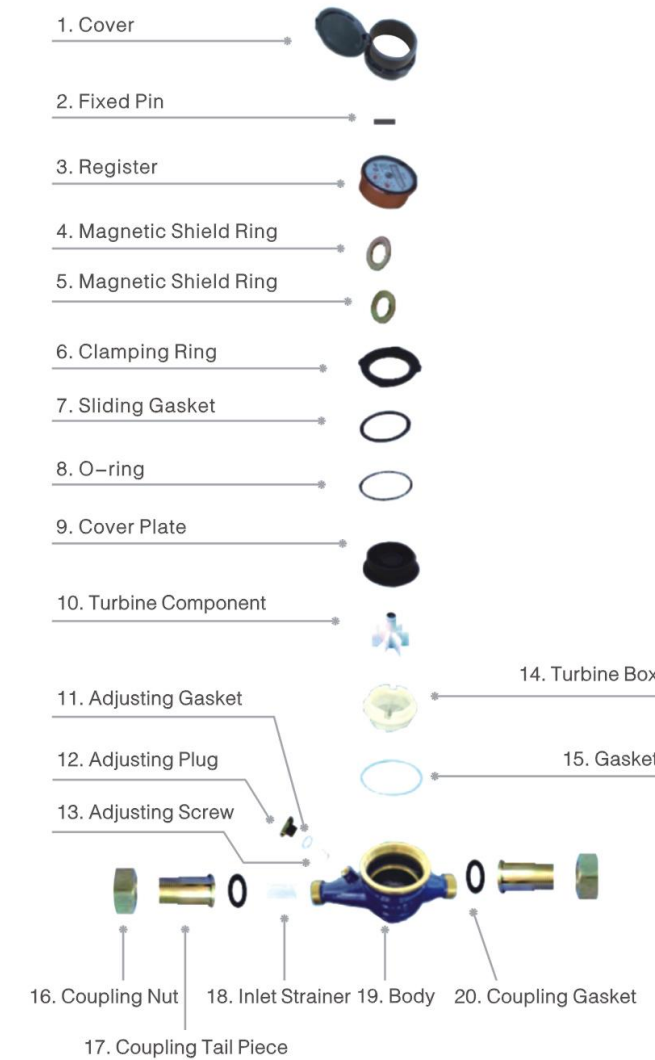
- From minimum flow-rate (Q1) inclusive to transitional flow-rate(Q2) exclusive $\pm 5\%$.
- From transitional flow-rate (Q2) to overload flowrate (Q4) $\pm 2\%$ (Hot water meter $\pm 3\%$).

Flow Error Curve

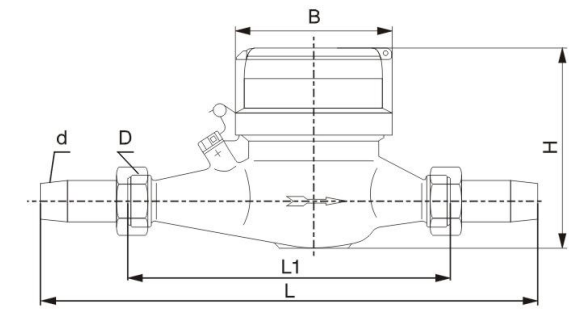


Water Meter

Exploded View



Dimensions



Type	Size	L1 Length	L Length	B Width	H Height	D Connecting Thread
		mm				
LXSG-15N	1/2"	165	259	81	105	G3/4
LXSG-20N	3/4"	190	299	81	105	G1
LXSG-25N	1"	225	345	87	105	G1 1/4
LXSG-32N	1 1/4"	230	354	87	105	G1 1/4

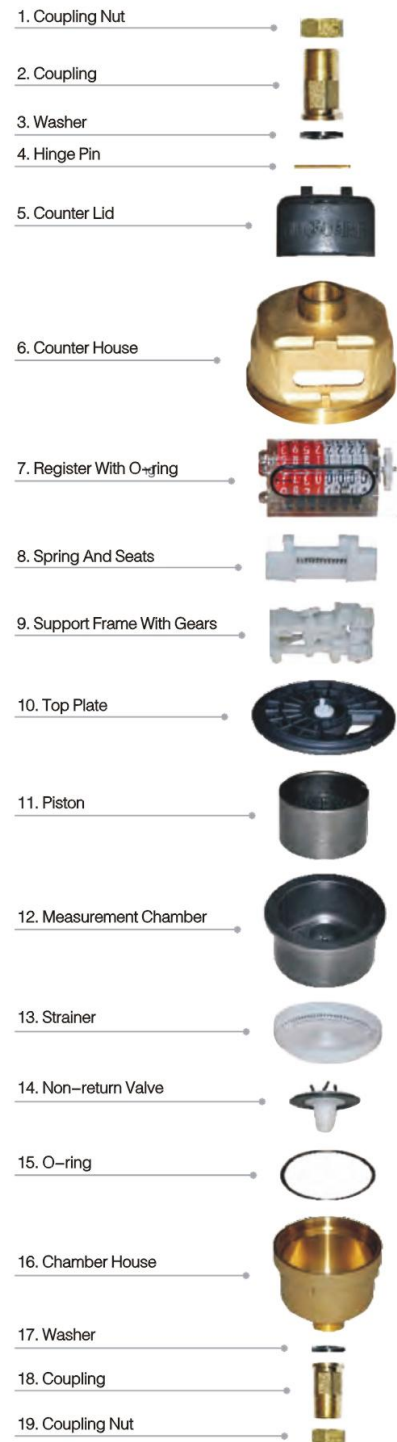
Technical Data

DN(mm)	15	20	25	32	
Size(inch)	1/2"	3/4"	1"	1 1/4"	
R=80 R=100	Q4(l/h)	3.125	5	7.875	12.5
	Q3(l/h)	2.5	4	6.3	10
	Q2(l/h)	0.05	0.08	0.126	0.2
	Q1(l/h)	0.03125	0.05	0.07875	0.125
Max. Reading(m³)	9,999	9,999	9,999	9,999	
Min. Reading(Liter)	0.00005	0.00005	0.00005	0.00005	
Max. Pressure(Bar)	16	16	16	16	
Pressure Loss(ΔP)	63				
Max. Temperature	T=50/90				
Pulse Output Option	Vmax=24V				
	Imax=100mA				
	Pmax=2W				

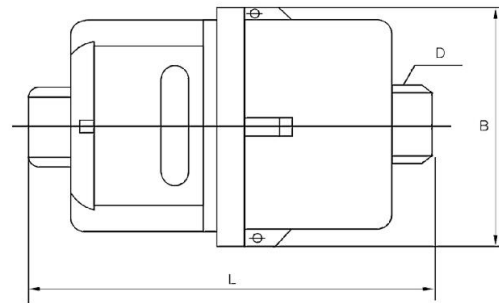
Warranty

All meters will be guaranteed against defects in workmanship and materials for a period of one(1) year from the date of acceptance. Defective meters or parts discovered within this period shall be replaced without charge upon return to the WESDOM Meters.

Exploded View

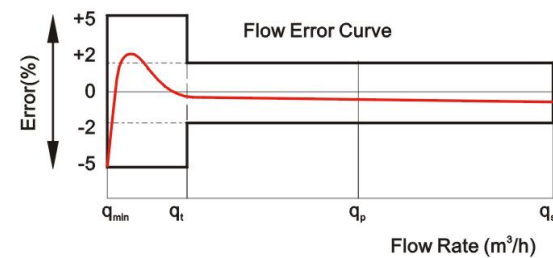


Exploded View



Description	Unit	Hydraulic Data and Dimensions					
		DN15 (1/2)	DN20 (3/4)	DN25 (1)	DN32 (1 1/4)	DN40 (1 1/2)	
Nominal Size	mm (Inch)	DN15 (1/2)	DN20 (3/4)	DN25 (1)	DN32 (1 1/4)	DN40 (1 1/2)	
Q4 Error Limit ±2%	m ³ /h	3.125	5	7.875	12.5	20	
Q3 Error Limit ±2%	m ³ /h	2.5	4.0	6.3	10	16	
Q2 Error Limit ±2%	l/h	25	40	63	100	160	
Q1 Error Limit ±5%	l/h	15.6	25	39.4	62.5	100	
Min. Reading	l	0.05	0.05	0.05	0.5	0.5	
Max. Reading	m ³	9999.9999	9999.9999	9999.9999	9999.9999	9999.9999	
MAP	MPa	1.6	1.6	1.6	1.6	1.6	
Press Loss ΔP AT Q3	MPa	≤0.063	≤0.063	≤0.063	≤0.063	≤0.063	
Weight	Without Connections	kg	1.14	1.56	2.48	3.47	5.65
	Without Connections	kg	0.97	1.3	2.05	2.75	4.7

Maximum Permissible Error



Warranty

All meters will be guaranteed against defects in workmanship and materials for a period of one(1) year from the date of acceptance. Defective meters or parts discovered within this period shall be replaced without charge upon return to the WESDOM Meters.

Volumetric Water Meter

Rotary Piston Liquid Sealed water meter

This type of water meter can be used for a remote reading transmission system is equipped with a built-in sensor.

Application

Measuring the volume of cold potable water passing through the pipeline. Also suitable for pure water.

Operating Condition

- The Max. Admissible water pressure 1.6MPa.
- Resisting water temperature: 50°C.

Features

- Low start-up flow rate.
- Volumetric rotary piston principle of measurement.
- LXHY-15~20 is no location limitation for installation. Accuracy is not to be affected wherever installed at a horizontal, vertical or inclined pipeline.
- Register is sealed with a special liquid to keep a clear reading in long term service.
- Mechanism use of high-quality material to ensure a stable characteristic.
- Accurate measurement with conformity to ISO 4064 Class C.
- On request, the series can be equipped with a kind of remote transmission device.

Pulse Position

Magnet Position	Liter/Pulse
*0.0001	1
*0.001	10

Note

- Body material: Brass body/Plastic body.
- Size: Plastic body: DN15~20; Brass body: DN15~40.
- Different register can be choose:

Dial Picture	Measure Unit
	Measure Unit: CBM 8 Wheels Four red, four white wheel. The minimum reading: 1L
	Measure Unit: CBM 8 Wheels Three red, five white wheel. The minimum reading: 10L
	Measure Unit: UK Gallon 8 Wheels One red, seven white wheel The minimum reading: 1 UK/Gallon
	Measure Unit: UK Gallon 8 Wheels All white wheel The minimum reading: 10 UK Gallon
	Measure Unit: US Gallon 8 Wheels One red, three black, four white wheel The minimum reading: 1 US Gallon



Woltman Water Meter

Removable element woltman cold (hot) water meter

This type of water meter can be used for a remote reading transmission system is equipped with a built-in sensor.

Application

Measuring the volume of cold (hot) water passing through the pipeline.

Features

- Removable element structure, easy installation and maintenance, register for universal use within this range detachable without Removing the meter from the pipeline.
- Dry-dial, Magnetic drive sensitive action, small pressure loss.
- Vacuum sealed register ensures the dial keep free from fog and Keep the reading clear in a long term service.
- Selected high quality materials for steady & reliable charac teristic.
- Technical data conform to international standard ISO 4064.

Optional Features

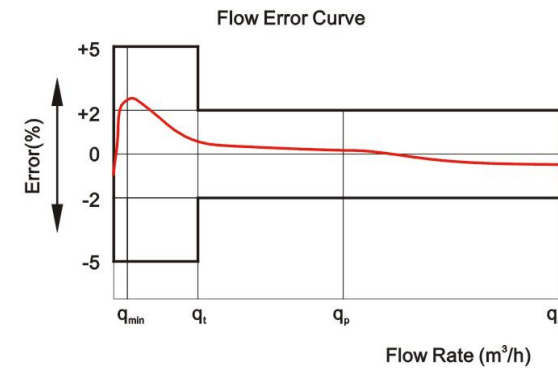
- Plastic register, copper register and full glass register.
- Accuracy: R=50/80.
- Size: DN50-500mm.
- Cold/Hot water.
- Reed switch option.
- Flange standard can be choose.
- 360 degree rotate can be choose.
- Cast iron, Ductile iron, SS304, Ss316 body can be choose.
- Working pressure: PN16/25.
- Color can be change on body and cover.

Working Conditions

- Water temperature: 0.1°C~40°C(0.1°C~90°C for hot water meter).
- Water pressure: PN10/16/25.

Maximum Permissible Error

- In the lower zone from q_{min} inclusive up to but excluding q_t is $\pm 5\%$.
- In the upper zone from q_t inclusive up to and including q_s is $\pm 2\%$ ($\pm 3\%$ for hot water meter).

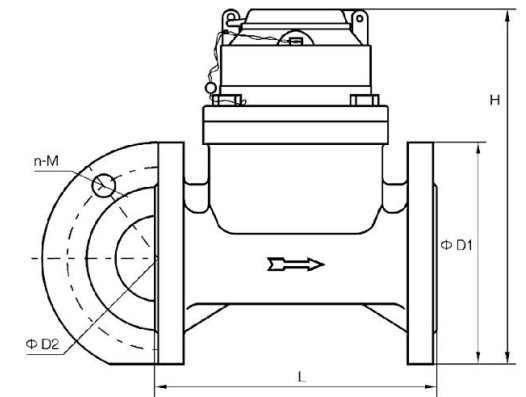


Exploded View



Water Meter

Dimensions



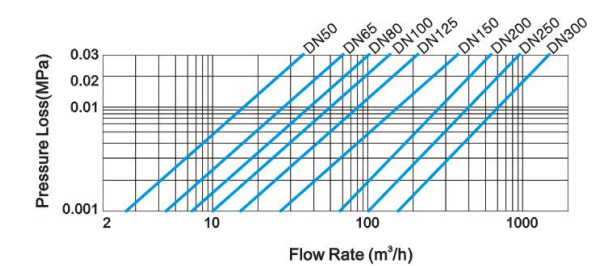
Type	Size	L Length	H Height	Connecting Flange		
				ΦD1 Outside Diameter	ΦD2 Bolt Circle Diameter	Connecting Bolts (n-M)
LXLC-50	50	200	261	165	125	4-M16
LXLC-65	65	200	271	185	145	4-M16
LXLC-80	80	225	279	200	160	8-M16
LXLC-100	100	250	289	220	180	8-M16
LXLC-125	125	250	299	250	210	8-M16
LXLC-150	150	300	319	285	240	8-M20
LXLC-200	200	350	346	340	295	8-M20(1.0DE) 12-M20(1.6MPa)
LXLC-250	250	450	450	395(1.0MPa) 405(1.6MPa)	350(1.0MPa) 355(1.6MPa)	12-M20(1.0MPa) 12-M24(1.6MPa)
LXLC-300	300	500	478	445(1.0MPa) 460(1.6MPa)	400(1.0MPa) 410(1.6MPa)	12-M20(1.0MPa) 12-M24(1.6MPa)

Note: The flange dimension conforms to ISO7005-2:1988 standard. Order for products of special requirements is also accepted.

Pulse Position

Size	Pulse Position
DN50-65	10/100/1000L/Pulse
DN80-200	100/1000L/Pulse
DN250-300	1000L/Pulse

Pressure Loss Curve



Flow Technique Specification

Nominal Flow DN	Maximum Flow Q4 m³/h	Permanent Flow Q3	Q3/Q1	Q2/Q1	Transitional Flow Q2 m³/h	Minimum Flow Q1 m³/h	Minimum Reading		Maximum Reading	
							Full Glass Seal	Common Seal	Full Glass Seal	Common Seal
50	31.3	25	50	1.6	0.8	0.5	0.0005	0.0002	999,999	999,999
	50	40		4	2					
65	50	40	50	1.6	1.3	0.8	0.0005	0.0002	999,999	999,999
				4	3.2					
			80	1.6	0.8	0.5				
				4	2					
80	78.8	63	50	1.6	2	1.3	0.002	0.002	999,999	9,999,999
				4	5					
			80	1.6	1.3	0.8				
				4	3.2					
100	125	100	50	1.6	3.2	2	0.002	0.002	999,999	9,999,999
				4	8					
			80	1.6	2	1.3				
				4	5					
125	200	160	50	1.6	4	3.2	0.002	0.002	999,999	9,999,999
				4	12.8					
			80	1.6	3.2	2				
				4	8					
150	312.5	250	50	1.6	8	5	0.002	0.002	999,999	9,999,999
				4	20					
			80	1.6	5	3.1				
				4	12.4					
200	500	400	50	1.6	12.8	8	0.002	0.002	999,999	9,999,999
				4	32					
			80	1.6	8	5				
				4	20					
250	787.5	630	25	1.6	40.3	25.2	0.02	0.02	9,999,999	99,999,999
				4	100.8					
			50	1.6	20	12.6				
				4	50.4					
300	1250	1000	25	1.6	64	40	0.02	0.02	9,999,999	99,999,999
				4	160					
			50	1.6	32	20				
				4	80					

Warranty

All meters will be guaranteed against defects in workmanship and materials for a period of one(1) year from the date of acceptance. Defective meters or parts discovered within this period shall be replaced without charge upon return to the WESDOM Meters.

Irrigation Water Meter

Water Meter

Irrigation Horizontal vane wheel, dry-dial cold (hot) water meter

This type of water meter can be used for a remote reading transmission system as equipped with a built-in sensor.

Application

Measuring the volume of cold (hot) water passing through the pipeline.

Features

- Removable element structure, easy installation and maintenance.
- Dry-dial, Magnetic drive.
- Large flow capacity, small pressure loss.
- Resist water hammer and pollution.
- Vacuum sealed register ensures the dial keep free from condensation and keep the reading clear in a long term service.
- Selected high quality materials for steady and reliable characteristic.
- Technical data conform to international standard ISO 4064.

Optional Features

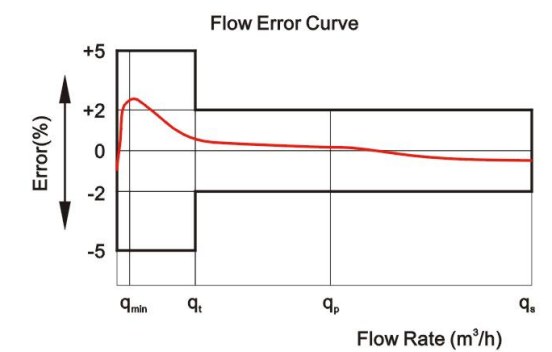
- Plastic register, copper register and full glass register.
- Accuracy: R=20.
- Size: DN50-300mm.
- Cold/Hot water.
- Reed switch option.
- Flange standard can be choose.
- 360 degree rotate can be choose.
- Cast iron, Ductile iron, SS304, SS316 body can be choose.
- Working pressure: PN16/25.

Working Conditions

- Water temperature: 0.1°C~50°C (0.1°C ~ 90°C for hot water meter).
- Water pressure: ≤1.0MPa (1.6MPa on request).

Maximum Permissible Error

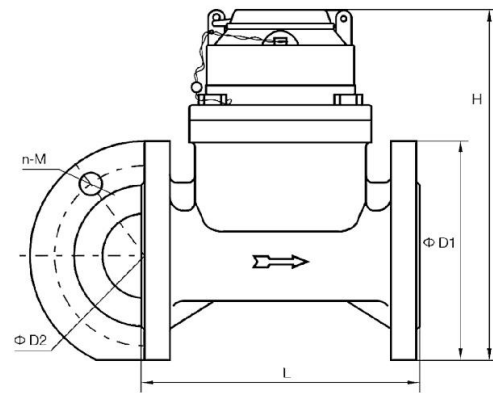
- In the lower zone from q_{min} inclusive up to but excluding q_t is ± 5%.
- In the upper zone from q_t inclusive up to and including q_s is ± 2% (± 3% for hot water meter).



Exploded View



Dimensions



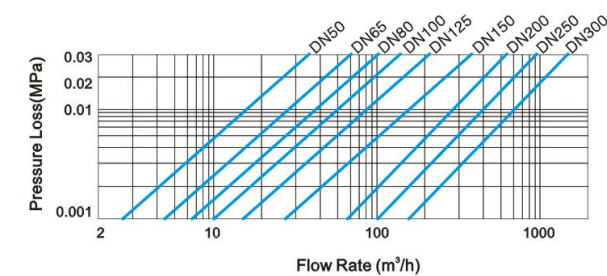
Type	Size	L Length	H Height	Connecting Flange		
				ΦD1 Outside Diameter	ΦD2 Bolt Circle Diameter	Connecting Bolts (n-M)
LXXG-50	50	200	253	165	125	4-M16
LXXG-65	65	200	268	185	145	4-M16
LXXG-80	80	225	284	200	160	8-M16
LXXG-100	100	250	295	220	180	8-M16
LXXG-125	125	250	310	250	210	8-M16
LXXG-150	150	300	339	285	240	8-M20
LXXG-200	200	350	382	340	295	8-M20(1.0MPa) 12-M20(1.6MPa)
LXXG-250	250	400	433	395	350	12-M20(1.0MPa)
		450	438	405	355	12-M24(1.6MPa)
LXXG-300	300	450	483	445	400	12-M20(1.0MPa)
		500	488	460	410	12-M24(1.6MPa)

Note: The flange dimension conforms to ISO7005-2:1988 standard.
Order for products of special requirements is also accepted.

Pulse Position

Size	Pulse Position
DN50-200	100/1000L/Pulse
DN250-300	1000L/Pulse

Pressure Loss Curve



Flow Technique Specification

Nominal Flow DN	Maximum Flow Q4 m³/h	Permanent Flow Q3 m³/h	Q3/Q1	Q2/Q1	Transitional Flow Q2 m³/h	Minimum Flow Q1 m³/h	Minimum Reading		Maximum Reading	
							Full Glass Seal	Common Seal	Full Glass Seal	Common Seal
50	31.25	25	50	1.6	1.6	1	0.0005	0.0002	999,999	999,999
65	50	40	25	1.6	2.6	1.6	0.002	0.002	999,999	9,999,999
				4	6.4					
80	78.8	63	25	1.6	4	2.5	0.002	0.002	999,999	9,999,999
				4	10					
100	125	100	25	1.6	6.4	4	0.002	0.002	999,999	9,999,999
				4	16					
125	200	160	25	1.6	10.2	6.4	0.002	0.002	999,999	9,999,999
				4	25.6					
150	312.5	250	25	1.6	16	10	0.002	0.002	999,999	9,999,999
				4	40					
200	500	400	25	1.6	25.6	16	0.002	0.002	999,999	9,999,999
				4	64					
250	787.5	630	25	1.6	40.3	25.2	0.02	0.02	9,999,999	99,999,999
				4	100.8					
300	1250	1000	25	1.6	64	40	0.02	0.02	9,999,999	99,999,999
				4	160					

Warranty

All meters will be guaranteed against defects in workmanship and materials for a period of one(1) year from the date of acceptance. Defective meters or parts discovered within this period shall be replaced without charge upon return to the WESDOM Meters.

Removable element woltman cold (hot) water meter

This type of water meter can be used for a remote reading transmission system as equipped with a built-in sensor.

Application

Measuring the volume of cold (hot) water passing through the pipeline.

Features

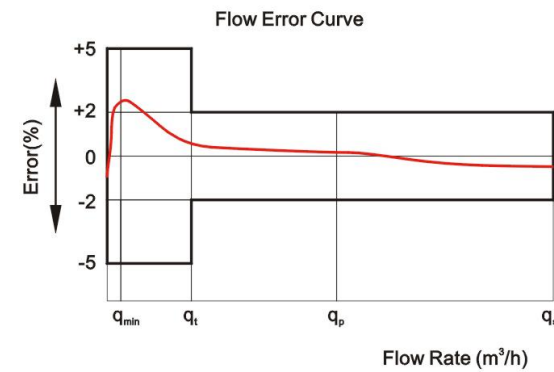
- Removable element structure, easy installation and maintenance, register for universal use within this range detachable without removing the meter from the pipeline.
- Dry-dial, Magnetic drive sensitive action, small pressure loss.
- Vacuum sealed register ensures the dial keep free from fog and Keep the reading clear in a long term service.
- Selected high quality materials for steady & reliable characteristic.
- Technical data conform to international standard ISO 4064.

Working Conditions

- Water temperature: 0.1°C~50°C (0.1°C ~ 90°C for hot water meter).
- Water pressure: ≤ 1.0MPa (1.6MPa for special requirement).

Maximum Permissible Error

- In the lower zone from q_{min} inclusive up to but excluding q_t is $\pm 5\%$.
- In the upper zone from q_t inclusive up to and including q_s is $\pm 2\%$ ($\pm 3\%$ for hot water meter).



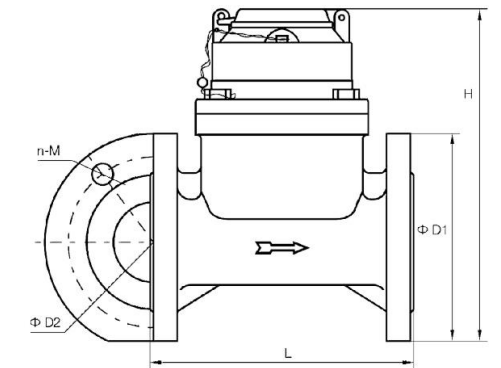
Exploded View



Warranty

All meters will be guaranteed against defects in workmanship and materials for a period of one (1) year from the date of acceptance. Defective meters or parts discovered within this period shall be replaced without charge upon return to the WESDOM Meters.

Dimensions



Type	Size	L Length	H Height	Connecting Flange			Working Pressure (MPa)
				$\Phi D1$ Outside Diameter	$\Phi D2$ Bolt Circle Diameter	Connecting Bolts (n-M)	
LXLC-350	350	500	590	505	460	16-M20	1.0
				520	470	16-M24	1.6
				555	490	16-M30	2.5
LXLC-400	400	600	660	565	515	16-M24	1.0
				580	525	16-M27	1.6
				620	550	16-M33	2.5
LXLC-450	450	600	700	615	565	20-M24	1.0
				640	585	20-M27	1.6
				670	600	20-M33	2.5
LXLC-500	500	800	760	670	620	20-M24	1.0
				715	650	20-M30	1.6
				730	660	20-M33	2.5
LXLC-600	600 or 800	800	800	780	725	20-M27	1.0
				840	770	20-M33	1.6
				845	770	20-M36	2.5

Note: The flange dimension conforms to ISO7005-2:1988 standard. Order for products of special requirements is also accepted.

Main Technique Specification

Type	Size (mm)	Class	q_s	q_p	q_t	q_{min}	Min. Reading	Max. Reading
			Overflow Flow	Permanent Flow	Transitional Flow	Min. Flow		
LXLC-350	350	A	1600	800	240	64	0.02	999,999,999
		B			160	24		
LXLC-400	400	A	2000	1000	300	80	0.02	999,999,999
		B			200	30		
LXLC-450	450	A	2000	1000	300	80	0.02	999,999,999
		B			200	30		
LXLC-500	500	A	3000	1500	450	120	0.02	999,999,999
		B			300	45		
LXLC-600	600	A	6000	3000	900	240	0.02	999,999,999
		B			600	90		

Vertical Removable Element Woltman Water Meter

Vertical removable element woltman cold (hot) water meter

This type of water meter can be used for a remote reading transmission system as equipped with a built-in sensor.

Application

Measuring the volume of cold (hot) water passing through the pipeline.

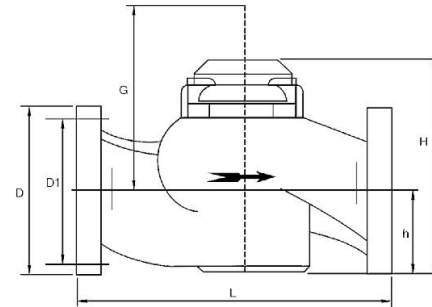
Features

- Removable element structure, easy installation and maintenance, register for universal use within this range detachable without Removing the meter from the pipeline.
- Dry-dial, Magnetic drive sensitive action, small pressure loss.
- Vacuum sealed register ensures the dial keep free from fog and Keep the reading clear in a long term service.
- Selected high quality materials for steady & reliable characteristic.
- Technical data conform to international standard ISO 4064.

Working Conditions

- Water temperature: 0.1°C~40°C (0.1°C ~ 90°C for hot water meter).
- Water pressure: ≤1.0MPa (1.6MPa for special requirement).

Dimensions



Type	Length				Height			Connecting Flange		
	L	H	h	G	ΦD1 Outside Diameter	ΦD2 Bolt Circle Diameter	Connecting Bolts (n-M)			
mm										
40	280	228	85	268	150	110	4-M16	Thread end G2B		
	245	218	75	260						
50	280	228	85	268	165	125	4-M16			
80S	225	282	103	344	200	160	8-M16			
80	370									
100S	250	303	116	350	220	180	8-M16			
100	370									
150	500	430	155	565	285	240	8-M20			
200	500	505	190	384	340	295	8-M20			
							12-M20(MPa16)			

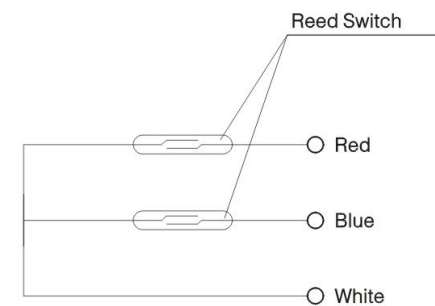
Note: The flange dimension conforms to ISO7005-2:1988 standard. Order for products of special requirements is also accepted.



Flow Technique Specification

Type	Maximum Flow Q4	Permanent Flow Q3	Q3/Q1	Q2/Q1	Maximum Flow Q2	Permanent Flow Q1	Max. Reading	Min. Reading	
								Full Glass Register	Plastic Register
					m³/h		m³		
40	50	40	160	1.6	0.4	0.25	999999	0.0005	0.0002
				6.3	1.6				
			200	1.6	0.32	0.2			
				6.3	1.26				
50	50	40	160	1.6	0.4	0.25	999999	0.0005	0.0002
				6.3	1.6				
			200	1.6	0.32	0.2			
				6.3	1.26				
80	78.8	63	160	1.6	0.64	0.4	999999	0.0005	0.0002
				6.3	2.5				
			200	1.6	0.5	0.32			
				6.3	2				
100	125	100	160	1.6	1	0.63	999999	0.0005	0.0002
				6.3	3.94				
			200	1.6	0.8	0.5			
				6.3	3.2				
150	313	250	160	1.6	2.56	1.6	999999	0.0005	0.0002
				6.3	10				
			200	1.6	2	1.25			
				6.3	7.9				
200	500	400	160	1.6	4	2.5	999999	0.0005	0.0002
				6.3	16				
			200	1.6	3.2	2			
				6.3	12.6				

The Operation Description of The Two Reed Switches System



Please see the diagram of the two reed switches system below, the two reed switches would be operated "ON" or "OFF" respectively by the magnet fitted to the pointer or gear during its running on the register, but never "ON" at the same time, unless the out-magnet attacks.

The two reed switches operate two "ON" and two "OFF" in one round of the pointer or the gear means one signal output, this principle prevent the loss or overcounting of the signal output due to the switches joggling or the pipe vibrating, so assures reliability of the signal output.

Warranty

All meters will be guaranteed against defects in workmanship and materials for a period of one(1) year from the date of acceptance. Defective meters or parts discovered within this period shall be replaced without charge upon return to the WESDOM Meters.

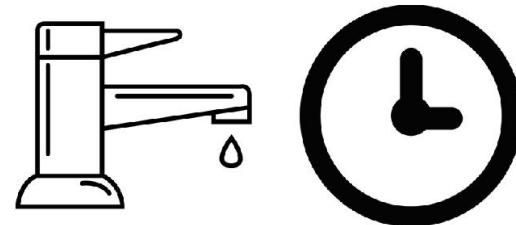
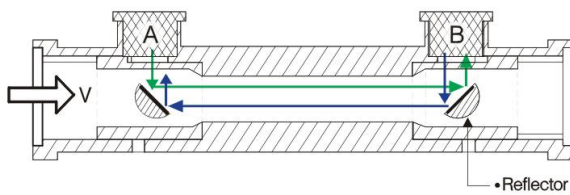
Ultrasonic Water Meter Household

LXC-S7-DN15-40

Water Meter



Many managers are always distressed because of the large gap between the water supply fee received and the actual amount of water produced, which is caused by inaccurate water meter measurement. The LXC-S7 ultrasonic water meter is a product dedicated to accurate household water metering. It can even measure the flow rate of dripping water. And you can make it realize wired or wireless remote data transmission, which is very suitable for installation environments with water shortages.



No wear and pressure loss

There is no mechanical impeller inside the water meter body, so there is almost no pressure loss and clogging, and the accuracy will not be affected over time. This can adapt to the installation environment with poor water quality.

More accurate measurement

Because the ultrasonic water meter adopts the acoustic wave electronic measurement method, the accuracy can reach a very high level. Even if the water flow is very small, it can accurately measure this flow.



IP68 protection design

The water meter module adopts a special sealing process, and the battery is also completely waterproof. The water meter can even work normally in the water.



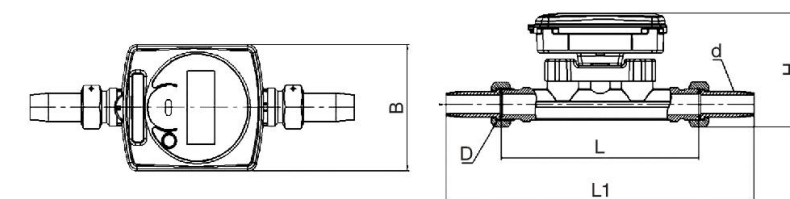
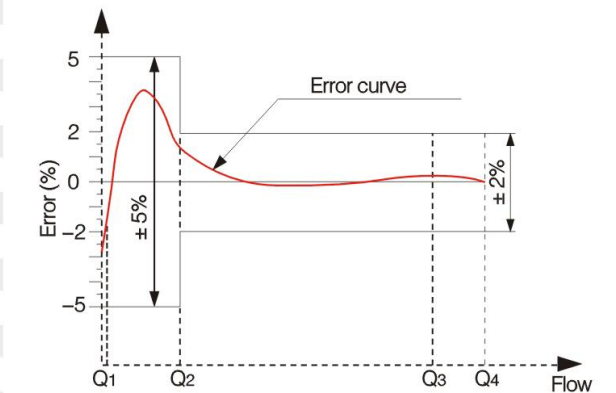
Remote data transmission

If the customer needs to transmit data remotely, then you can choose to use wired transmission: RS485, M-BUS and pulse output. You can also use wireless transmission: LoRa, GPRS and NB-IOT. You can choose flexibly according to actual needs.

Technical Parameters

Nominal diameter	15	20	25	32	40
Max flow Q4(m³/h)	3.125	5	7.87	12.5	20
Nominal flow Q3(m³/h)	2.5	4	6.3	10	16
Transitional flow Q2(m³/h)	0.02	0.032	0.05	0.08	0.128
Min flow Q1(m³/h)	0.013	0.02	0.032	0.05	0.08
Start-up flow(m³)	0.005	0.005	0.008	0.01	0.015
Max flow indicator(m³/h)	999999.99m³				
Measuring range	Q3/Q1, R200				
Accuracy class	Class B				
Pressure loss	≤0.063MPa				
Working pressure	MAX1.6MPa				
Temp class	T50				
Temp range	(5~55)°C				
Installation environment	Indoor, Class B				
Electromagnetic environment	E1(Residential, Commercial, Industrial)				
Power supply	Built-in lithium battery DC 3.6V				
Battery life	≥8 years				
Installation position	Horizontal or Vertical				
Display	LCD, 8 digits+additional characters				
Installation pitch	U10/D5				
Interface	RS 485/M-bus				
Protection class	IP 68				
Data storage	Storage of all monthly value of last 18 months				
Flow measurement	Normal state: 6 times/4 sec. (1 time/15 sec. Under no water condition); Verification state: 12 times/secretary.				

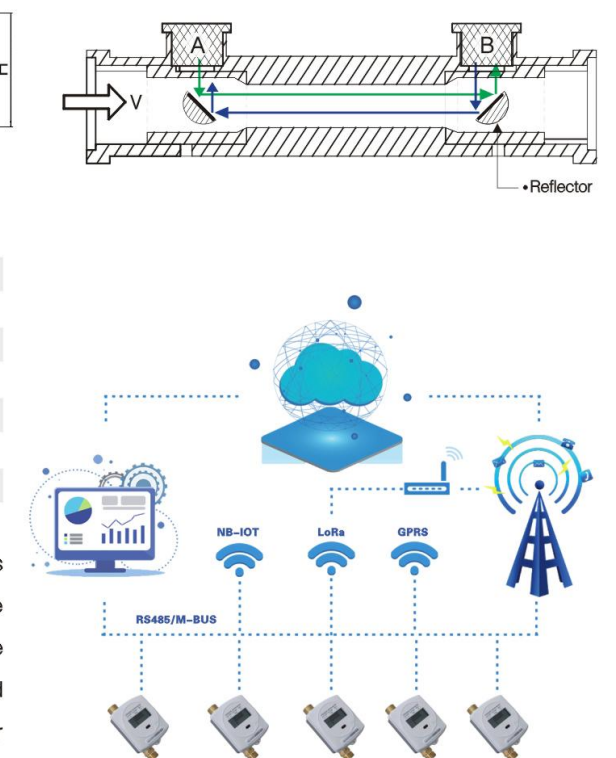
Maximum allowable error Q1-Q2 ± 5%;
 Maximum allowable error Q3-Q4;
 Water temperature ≤30°C, max permissible error ± 2%;
 Water temperature > 30°C, max permissible error ± 3%.



Dimension Parameters

Caliber(mm)	DN15	DN20	DN25	DN32	DN40
L(mm)	165	195	225	180	200
L1(mm)	260	300	346	305	330
W(mm)	95	95	95	95	95
H(mm)	86	86	89	100	120
Pipe thread connection	R1/2	R3/4	R1	R1 1/4	R1 1/2
Water meter thread	G3/4B	G1B	G1 1/4B	G1 1/2B	G2B

The traditional mechanical water meter can only read the data on site, which wastes a lot of manpower and time. Moreover, when the user does not live for a long time, the leakage of the water pipe cannot be detected in time, so a lot of water resources are wasted. The LXC-S7 ultrasonic water meter can detect the flow rate of the water and upload the data regularly every day. The management party can analyze whether there is a leakage problem based on the daily water consumption data.

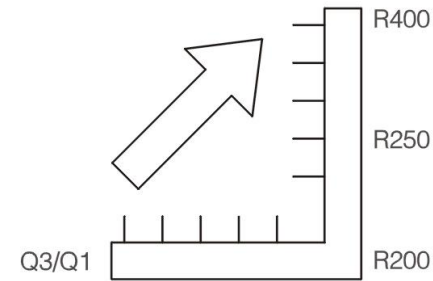


Ultrasonic Water Meter-Bulk

LXC-S8-DN50-300



Old-fashioned ordinary mechanical water meters always cause dissatisfaction and complaints from customers because of excessive wear, inaccuracy and short life. The LXC-S8 ultrasonic water meter is an electronic water meter developed and produced to solve these problems. It has been widely used in pipe network metering, public water metering and agricultural irrigation metering and has achieved remarkable results.



No wear and pressure loss

The body of the water meter is completely hollow, therefore, it will have almost no pressure loss and no blockage, and it will not affect the accuracy over time. Which can adapt to the installation environment with poor water quality.



IP68 protection design

The water meter module adopts a special sealing process, and the battery is also completely waterproof. The water meter can even work normally in the water.

Higher measuring range

Due to different processes, the range ratio of ultrasonic water meters can reach a higher level, and customers can customize its standards according to actual requirements. The higher the R (Q3/Q1) of the water meter, the wider the flow rate range it can detect.



Remote data transmission

If the customer needs to transmit data remotely, then you can choose to use wired transmission: RS485, M-BUS and pulse output. You can also use wireless transmission: LoRa, GPRS and NB-IOT. You can choose flexibly according to actual needs.

Technical Parameters

Nominal diameter	50	65	80	100	125	150	200	250	300
Max flow Q4(m³/h)	31.2	50	78.75	125	200	312.5	500	787.5	1250
Nominal flow Q3(m³/h)	25	40	63	100	160	250	400	630	1000
Transitional flow Q2(m³/h)	0.16	0.256	0.4	0.64	1.04	1.6	2.56	4.03	6.4
Min flow Q1(m³/h)	0.1	0.16	0.252	0.4	0.64	1	1.6	2.52	4
Max flow	9999999.9								
Reverse flow	9999999.9								
Measuring range	Q3/Q1, R250/400								
Accuracy class	Class B								
Pressure loss	≤0.063 MPa								
Working pressure	MAX 1.6MPa								
Temp class	T50								
Temp range	(5--55)°C								
Installation ENV	Indoor, Class B								
Electromagnetic ENV	E1(Residential, Commercial, Industrial)								
Power supply	Built-in lithium battery DC 36V								
Battery life	>10 years								
Installation position	Horizontal or Vertical								
Display	LCD, 8 digits+additional characters								
Installation pitch	U10/D5								
Interface	RS485/M-BUS/Pulse output/NB-IOT/LORA/GPRS								
Protection class	IP 68								

Dimension Parameters

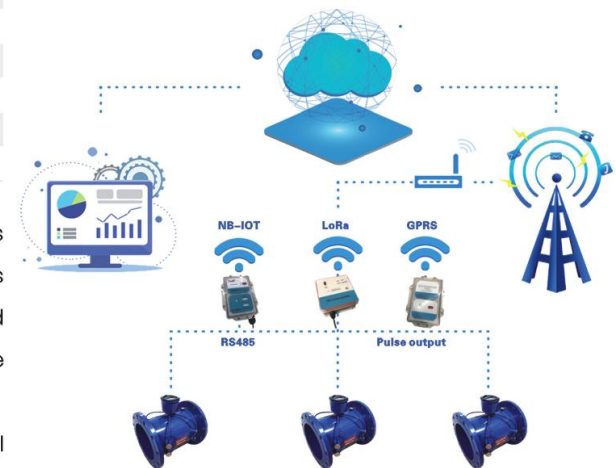
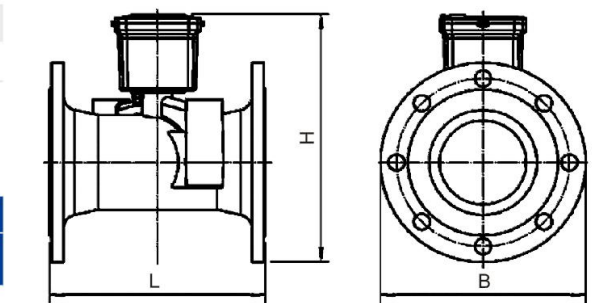
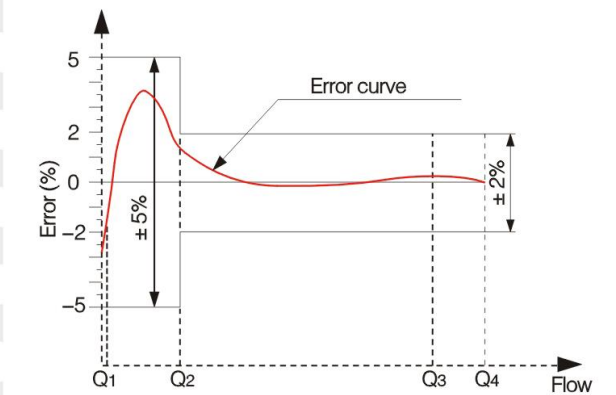
Nominal Diameter (mm)	Length L	Width B	Height H	Flange Connection		
				Flange Diameter	Bolt Circle Diameter	Bolt Size-M
DN50	200	170	215	170	125	4-16
DN65	200	185	220	185	145	4-M16
DN80	225	200	235	200	160	8-M16
DN100	250	220	255	220	180	8-M16
DN125	250	250	285	250	210	8-M16
DN150	300	285	335	285	240	8-M20
DN200	350	340	405	340	295	12-M20
DN250	450	405	470	405	355	12-M24
DN300	500	460	525	460	410	12-M24

Because the ultrasonic water meter can measure the flow rate of water, it can use this feature to monitor leakage problems, so the remote and timely transmission of data is very important. The LXC-S8 ultrasonic water meter supports a variety of wired and wireless transmission modes, and it can also detect reverse flow, which is very suitable for more complex pipe network water supply environments.

Bulk ultrasonic water meters are widely used in the measurement fields of industry, civil drinking water, agricultural irrigation, etc.

Water Meter

Maximum allowable error Q1-Q2 ± 5%;
 Maximum allowable error Q3-Q4;
 Water temperature ≤30°C, max permissible error ± 2%;
 Water temperature > 30°C, max permissible error ± 3%.



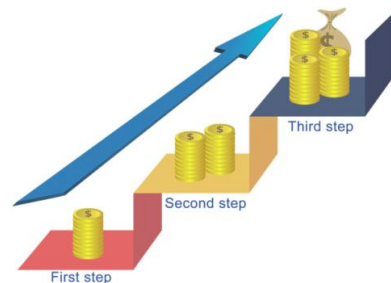
Prepaid Water Meter-Household

LXSG-S9-DN15-25



Pay first and use water later

Its use logic is that its valve will only open if there is sufficient money in the water meter. You don't have to worry about users not paying.



Tiered unit price

The water management department can set different water charging standards. When the user usage exceeds the limit, he will need to pay more money.



Security is guaranteed

When the water meter is activated, it can only accept the user card that has been bound, and the safety is guaranteed.

In the long-term residential water supply work, the management department is often distressed because it cannot receive the water fee smoothly, and encounters obstacles in reading the water meter data of the residents. This has taken a lot of time and energy for the management department, and this LXSG prepaid water meter can effectively solve these problems. The user must first pay for the recharge before the valve of the water meter can be opened and supply water. When there is not enough money in the water meter, it will stop the water supply.



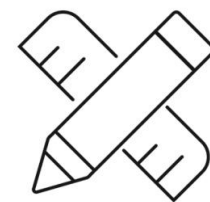
IP68 protection design

The water meter module adopts a special sealing process, and the battery is also completely waterproof. The water meter can even work normally in the water.



Self-protection function

To ensure the reliability of water meter, valve it will periodically rotate once a month. When the water meter is disturbed by a magnetic field, the valve will automatically close.



System can be customized

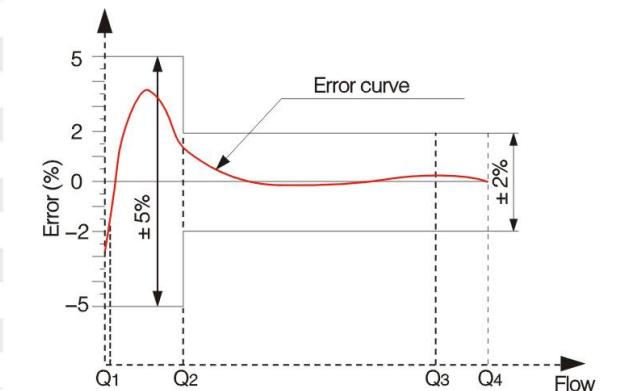
Customers can customize the language and interface display of the system according to actual needs. And it has B/S online version and stand-alone version to choose from.

Water Meter

Technical Parameters

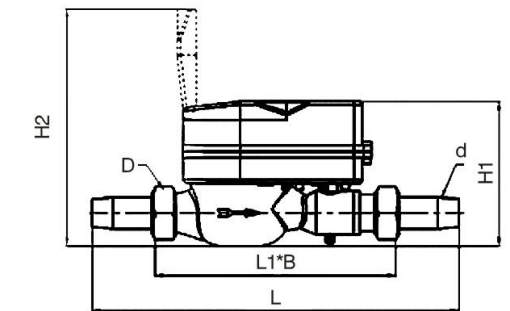
Nominal diameter	15	20	25
Max flow Q4(m ³ /h)	3.125	5	7.87
Nominal flow Q3(m ³ /h)	2.5	4	6.3
Transitional flow Q2(m ³ /h)	0.02	0.032	0.05
Min flow Q1(m ³ /h)	0.013	0.02	0.032
Measuring range	R80		
Accuracy class	Class B		
Pressure loss	<0.063 MPa		
Max working pressure	1.0MPa		
Temp class	T30		
Level of protection	IP 68		
Installation environment	Indoor, Class B		
Electromagnetic environment	E1		
Power supply	DC 3.6V		
Battery life	≥6 years		
Installation position	Horizontal or Vertical		
Display	LCD		
Installation pitch	U10/D5		

Maximum allowable error Q1-Q2 ± 5%;
 Maximum allowable error Q3-Q4;
 Water temperature ≤30°C, max permissible error ± 2%;
 Water temperature > 30°C, max permissible error ± 3%.



Dimension Parameters

DN	L	L1	B	H1	H2	Connection thread	
	mm						d
15	258	165	90	120	200	R1/2	G3/4B
20	299	195	90	120	200	R3/4	G1B
25	345	225	90	120	200	R1	G1 1/4B

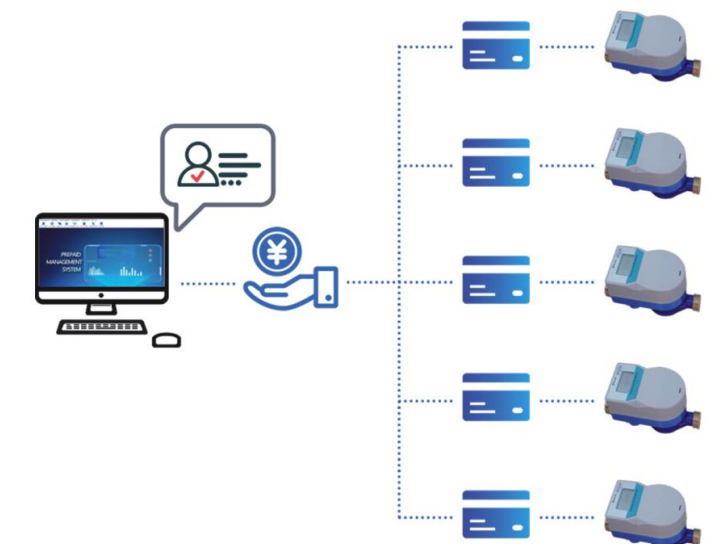


The operation of the prepaid water meter is very simple.

When the water meter is installed:

- First, the user needs to go to the payment office of the relevant water management department to go through the water meter account opening procedures;
- The manager will issue an IC card to the user and open an account and recharge;
- After completing the recharge, the user can use the IC card to swipe the water meter and it can be used normally.

When the remaining amount in the water meter reaches the alarm value or is zero, the water meter will automatically close the valve to remind the user to recharge and pay.



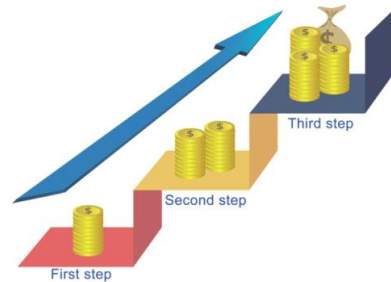
Prepaid Water Meter-Bulk

LXLZG-DN50-300



Pay first and use water later

Its use logic is that its valve will only open if there is sufficient money in the water meter. You don't have to worry about users not paying.



Tiered unit price

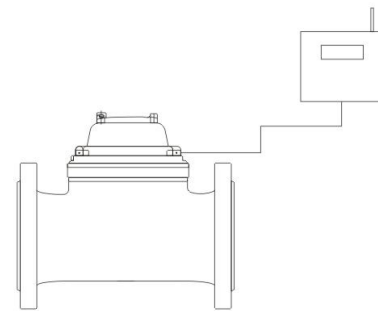
The water management department can set different water charging standards. When the user usage exceeds the limit, he will need to pay more money.



Security is guaranteed

When the water meter is activated, it can only accept the user card that has been bound, and the safety is guaranteed.

In agricultural irrigation and large-volume water supply projects, we always seem to worry about not being able to get the water fee, and this LXLZG prepaid water meter (bulk) seems to be the best choice to solve this problem. If the user wants to use water, he must first pay.



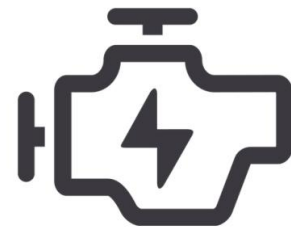
Split design

The unique split design can effectively avoid the impact on the product due to the harsh installation environment, and the user can more easily swipe the card.



Self-protection function

To ensure the reliability of water meter, valve it will periodically rotate once a month. When the water meter is disturbed by a magnetic field, the valve will automatically close.



Valve is more reliable

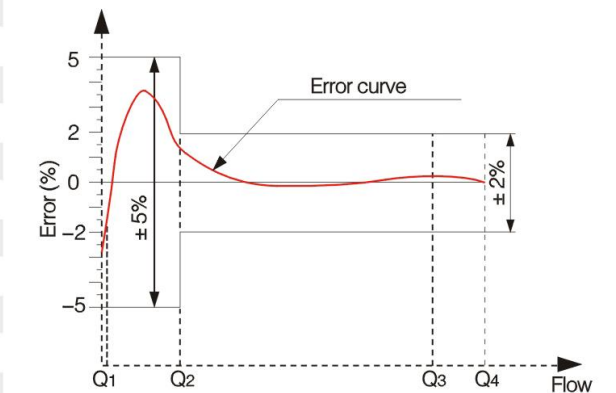
The valve adopts butterfly valve design, which is simple in structure and more reliable. At the same time, its power consumption is also the lowest, and its airtightness is stronger.

Water Meter

Technical Parameters

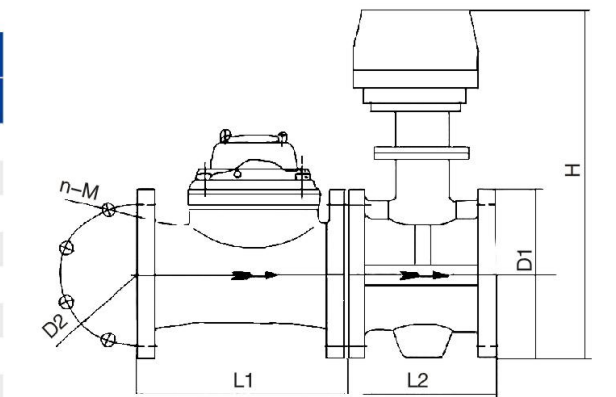
Nominal diameter	50	65	80	100	125	150	200	250	300
Max flow Q4(m³/h)	31.2	50	78.8	125	200	312.5	500	788	1250
Nominal flow Q3(m³/h)	25	40	63	100	160	250	400	630	1000
Transitional flow Q2(m³/h)	2	3.2	5.2	8	12.8	20	32	100.8	160
Min flow Q1(m³/h)	0.5	0.8	1.3	2	3.2	5	8	25.2	40
Measunng range	R80								
Accuracy class	Class B								
Pressure loss	≤0.063MPa								
Max working pressure	1.0MPa								
Temp class	T30								
Level of protection	IP 68								
Installation environment	Indoor, Class B								
Electromagnetic ENV	E1								
Power supply	DC 3.6V								
Battery life	≥6 years								
Installation position	Horizontal or Vertical								
Display	LCD								
Installation pitch	U10/D5								

Maximum allowable error Q1-Q2 ± 5%.
 Maximum allowable error Q3-Q4,
 Water temperature ≤30°C, max permissible error ± 2%;
 Water temperature > 30°C, max permissible error ± 3%.



Dimension Parameters

Nominal (mm)	Length L1 (mm)	Valve L2 (mm)	H (mm)	Connection thread		
				D1	D2	n-M
50	200	108	383	165	125	4-M16
65	200	110	433	185	145	4-M16
80	225	114	450	200	160	8-M16
100	250	127	480	220	180	8-M16
125	250	140	515	250	210	8-M16
150	300	140	543	285	240	8-M20
200	350	152	610	340	295	12-M20(1.6MPa)
250	450	165	693	405	355	12-M24(1.6MPa)
300	500	176	766	460	410	12-M24(1.6MPa)

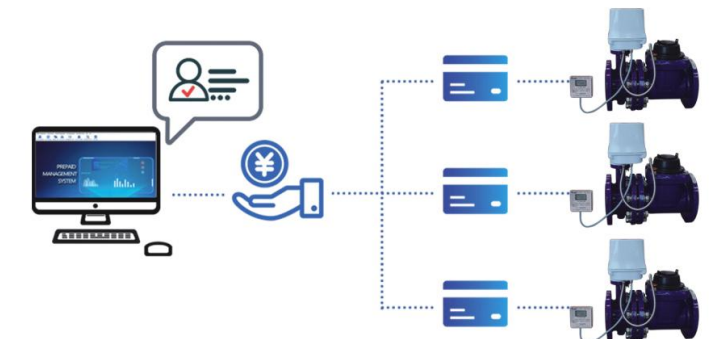


The operation of the prepaid water meter is very simple.

When the water meter is installed:

- First, the user needs to go to the payment office of the relevant water management department to go through the water meter account opening procedures;
- The manager will issue an IC card to the user and open an account and recharge;
- After completing the recharge, the user can use the IC card to swipe the water meter and it can be used normally.

When the remaining amount in the water meter reaches the alarm value or is zero, the water meter will automatically close the valve to remind the user to recharge and pay.



GPRS Water Meter

LXSK-S9-DN15-25



In the long-term residential water supply work, we have spent a lot of energy and money on management work, but the results we have received are always unsatisfactory. LXSK-S9 wireless WESDOM water meter (GPRS) provides us with a better choice, it can solve the difficulties encountered by charging users, and there is no need to go to the site to read the water meter. It uses the public GPRS network, which has more stable transmission and wider coverage.

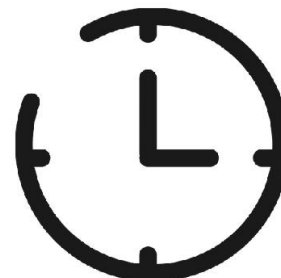


Auto upload

Just install a SIM card in the water meter, and the water meter can automatically transmit data every day. Without any intervention, the administrator can remotely access the data of all water meters.

Self-protection function

To ensure the reliability of water meter, valve it will periodically rotate once a month. When the water meter is disturbed by a magnetic field, the valve will automatically close.



Valve control

When there is a user who refuses to pay, we can remotely turn off his water meter valve to stop water supply until he recharges again.

Easy to disassemble

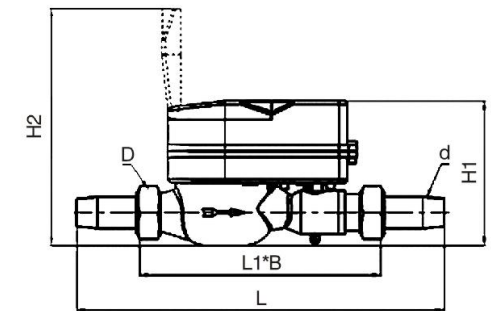
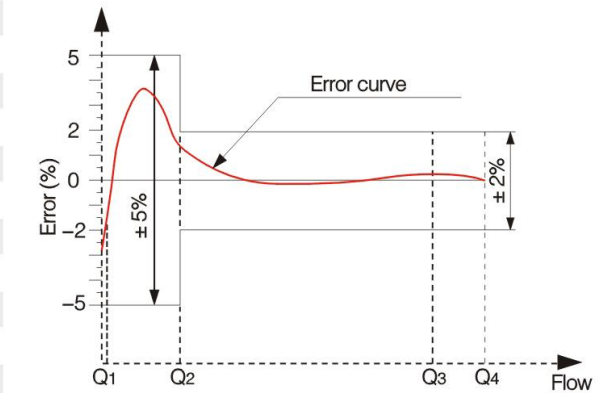
When we need it, we can change the frequency and time point of the water meter online. Of course, our suggestion is to upload data once every 3 days because it can keep the battery life of the water meter at more than 6 years.

Water Meter

Technical Parameters

Nominal diameter	15	20	25
Max flow Q4(m³/h)	3.125	5	7.87
Nominal flow Q3(m³/h)	2.5	4	6.3
Transitional flow Q2(m³/h)	0.02	0.032	0.05
Min flow Q1(m³/h)	0.013	0.02	0.032
Measunng range	R80		
Accuracy class	Class B		
Pressure loss	≤0.063 MPa		
Max working pressure	1.0MPa		
Temp class	T30		
Level of protection	IP 68		
Installation environment	Indoor, Class B		
Electromagnetic environment	E1		
Power supply	DC 3.6V		
Battery life	≥6 years(Push data every 3 days)		
Battery capacity	8.5Ah		
Installation position	Horizontal or Vertical		
Display	LCD		
Installation pitch	U10/D5		
Networking way	Automatic/Touch activation		

Maximum allowable error Q1-Q2 ± 5%;
 Maximum allowable error Q3-Q4;
 Water temperature ≤30°C, max permissible error ± 2%;
 Water temperature > 30°C, max permissible error ± 3%.



Dimension Parameters

DN	L	L1	B	H1	H2	Connection thread	
						d	D
15	258	165	90	120	200	R1/2	G3/4
20	299	195	90	120	200	R3/4	G1
25	345	225	90	120	200	R1	G1 1/4

Install a wireless water meter in each user's home. The water meter will search for nearby GPRS communication base stations and register to the IoT cloud platform. The water consumption data of the water meter can be uploaded to the platform through the communication base station. The client uses the cloud server to obtain real-time data of residents' water consumption, monitor the real-time water consumption of each resident, charge according to the water consumption of each household, support automatic deduction and manual entry and payment.



GPRS Water Meter

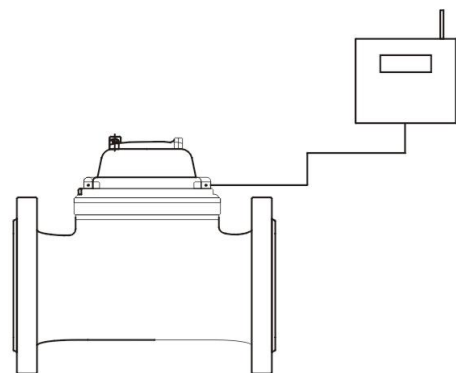
LXSK-S5-DN50-300



In the long-term water supply work of the pipe network, we often encounter that the bulk water meter cannot read the water meter data because it is installed under the ground or at a long distance, and a lot of effort has been devoted to this. This bulk wireless WESDOM water meter (GPRS) can effectively solve this problem. When you use it, you don't need to go to the site to read the water meter data. Each water meter will automatically transmit its own data to the cloud platform. We just need to open the online management platform on your computer, and you can view the running status of all water meters. When we need to do data aggregation, we can also easily count all the data on the platform.

Auto upload

Just install a SIM card in the water meter, and the water meter can automatically transmit data every day. Without any intervention, the administrator can remotely access the data of all water meters

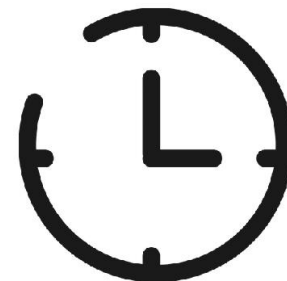


Split design

The unique split design can effectively avoid the impact of the harsh installation environment on the product, and make the signal transmission more stable.

Self-protection function

To ensure the reliability of water meter, valve it will periodically rotate once a month. When the water meter is disturbed by a magnetic field, the valve will automatically close.



Flexible management

When we need it, we can change the frequency and time point of the water meter online. Of course, our suggestion is to upload data once every 3 days because it can keep the battery life of the water meter at more than 6 years.

Technical Parameters

Nominal diameter	50	65	80	100	125	150	200	250	300
Max flow Q4(m³/h)	31.2	50	78.8	125	200	312.5	500	788	1250
Nominal flow Q3(m³/h)	25	40	63	100	160	250	400	630	1000
Transitional flow Q2(m³/h)	2	3.2	5.2	8	12.8	20	32	100.8	160
Min flow Q1(m³/h)	0.5	0.8	1.3	2	3.2	5	8	25.2	40
Measunng range	R50/R25								
Accuracy class	Class B								
Pressure loss	≤0.063 MPa								
Max working pressure	1.0 MPa								
Temp class	T30								
Level of protection	IP 68								
Installation environment	Indoor, Class B								
Electromagnetic ENV	E1								
Power supply	DC 3.6V								
Battery life	≥6 years(Push data every 3 days)								
Battery capacity	8.5Ah								
Installation position	Horizontal or Vertical								
Display	LCD								

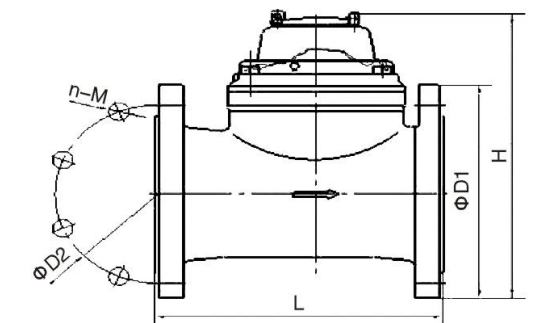
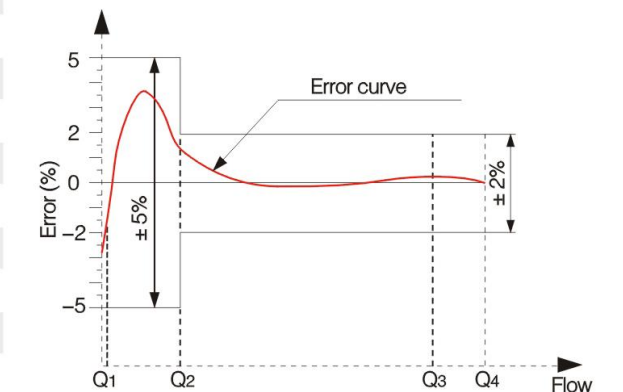
Dimension Parameters

Nominal Diameter	Length L mm	Height H	Connection flange GB/T17241.6-2008		
			ΦD1	D2	Bolt size n-M
50	200	383	165	125	4-M16
65	200	433	185	145	4-M16
80	225	450	200	160	8-M16
100	250	480	220	180	8-M16
125	250	515	250	210	8-M16
150	300	543	285	240	8-M20
200	350	610	340	295	12-M20(1.6MPa)
250	450	693	405	355	12-M24(1.6MPa)
300	500	766	460	410	12-M24(1.6MPa)

When the water meter is installed on the pipeline, the water meter will search for nearby GPRS communication base stations and register to the IoT cloud platform. The water consumption data of the water meter can be automatically uploaded to the platform through the communication base station. The user can check all the water meters in the management area through the platform or mobile phone, and if there is an abnormal flow, it can be found and dealt with in time through the comparative analysis of the water consumption data.

Water Meter

Maximum allowable error Q1-Q2 ± 5%;
 Maximum allowable error Q3-Q4;
 Water temperature ≤30°C, max permissible error ± 2%;
 Water temperature > 30°C, max permissible error ± 3%.



LoRa Water Meter

LXSKZ-S9-DN15-25



In the long-term residential water supply work, we have spent a lot of energy and money on management work, but the results we have received are always unsatisfied. LXSKZ-S9 wireless WESDOM water meter (LoRa) provides us with a better choice, it can solve the difficulties encountered by charging users, and there is no need to go to the site to read the water meter. It uses the public LoRa network, which has more stable transmission and wider coverage. It is more suitable for densely populated areas, because customers can use fewer concentrators, so the cost will be very low.



Auto upload

When you finish arranging the concentrator, you only need to install the water meter, and the water meter will automatically send data to the cloud platform every day, no other settings are required.

Self-protection function

To ensure the reliability of water meter, valve it will periodically rotate once a month. When the water meter is disturbed by a magnetic field, the valve will automatically close.



Valve control

When there is a user who refuses to pay, we can remotely turn off his water meter valve to stop water supply until he recharges again.

Hand-held meter reading

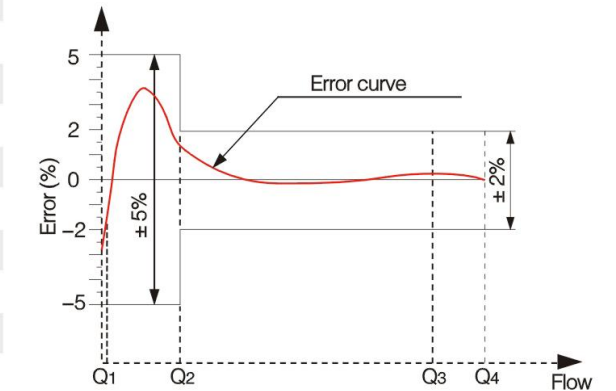
It also supports hand-held reader meter reading. The operator only needs to stand within 1km from the water meter to read the real-time data of all water meters in the range.

Water Meter

Technical Parameters

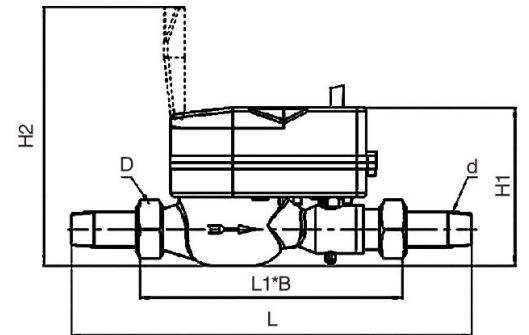
Norminal diameter	15	20	25
Max flow Q4(m³/h)	3.125	5	7.87
Nominal flow Q3(m³/h)	2.5	4	6.3
Transitional flow Q2(m³/h)	0.02	0.032	0.05
Min flow Q1(m³/h)	0.013	0.02	0.032
Measunng range	R80		
Accuracy class	Class B		
Pressure loss	≤0.063 MPa		
Max working pressure	1.0MPa		
Temp class	T30		
Level of protection	IP 68		
Installation environment	Indoor, Class B		
Electromagnetic environment	E1		
Power supply	DC 3.6V		
Battery life	≥ 6 years(Push data every 3 days)		
Battery capacity	3.8Ah		
Installation pitch	U10/D5		
Networking way	Automatic		

Maximum allowable error Q1-Q2 ± 5%;
 Maximum allowable error Q3-Q4;
 Water temperature ≤30°C, max permissible error ± 2%;
 Water temperature > 30°C, max permissible error ± 3%.

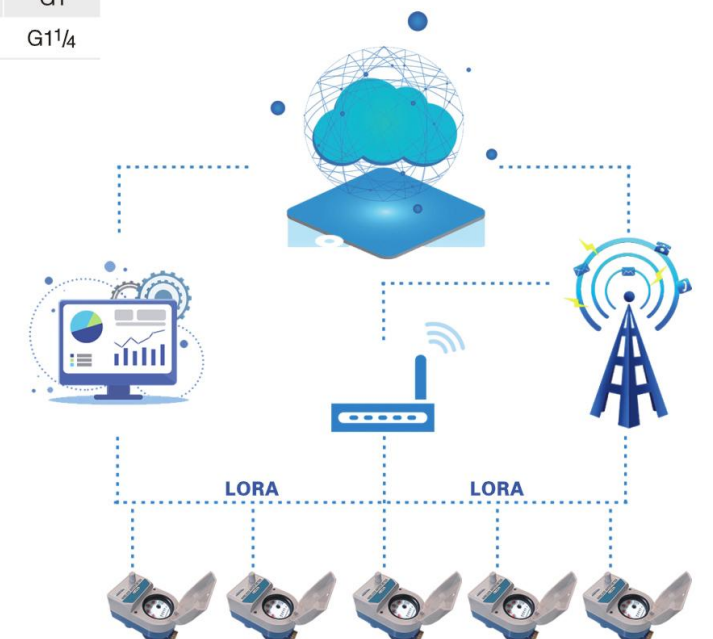


Dimension Parameters

DN	L	L1	B	H1	H2	Connection thread	
	mm						d
15	258	165	90	120	190	R1/2	G3/4
20	299	195	90	120	190	R3/4	G1
25	345	225	90	120	190	R1	G1 1/4



The wireless water meter (LoRa) prefers the installation environment with densely distributed users, because it is conducive to its signal transmission. Every wireless water meter will automatically connect to the concentrator, send its own data to the concentrator, and then the concentrator will range it. The data of all the water meters in the package is packaged and sent to the cloud, so that the operator can view the data on the computer, and if necessary, can remotely control the user's water meter valve in real time.



LoRaWan Water Meter

LXSKG-S9-DN15-25



Because the wireless water meter (LoRaWan) uses the public free frequency band for communication, its construction cost is relatively low. The lorawan base station can not only transmit water meter data, but also connect to wireless lorawan communication equipment such as electric meters, gas meters and fire hydrants. Together, they carry out data transmission through the communication protocol developed by lorawan, which has low power consumption and large connection volume, which is very suitable for the field of civil smart meter measurement.



Auto upload

When you finish arranging the concentrator, you only need to install the water meter, and the water meter will automatically send data to the cloud platform every day, no other settings are required.

Self-protection function

To ensure the reliability of water meter, valve it will periodically rotate once a month. When the water meter is disturbed by a magnetic field, the valve will automatically close.



Valve control

When there is a user who refuses to pay, we can remotely turn off his water meter valve to stop water supply until he recharges again.

Shared base station

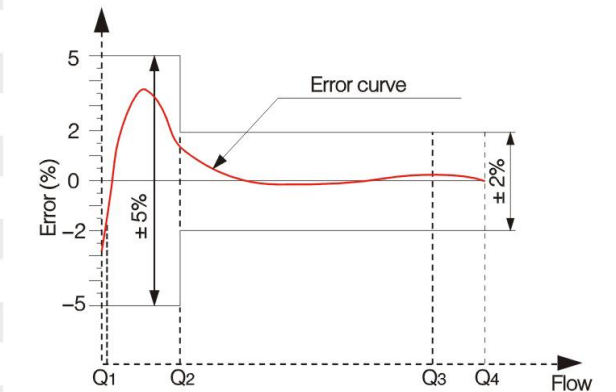
It uses the public and open lorawan communication protocol, so it can share the same base station with other lorawan communication devices.

Water Meter

Technical Parameters

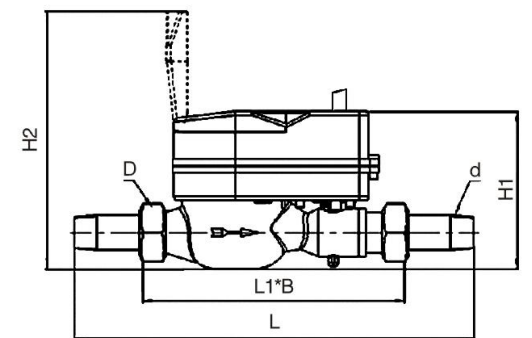
Nominal diameter	15	20	25
Max flow Q4(m³/h)	3.125	5	7.87
Nominal flow Q3(m³/h)	2.5	4	6.3
Transitional flow Q2(m³/h)	0.02	0.032	0.05
Min flow Q1(m³/h)	0.013	0.02	0.032
Measuring range	R80		
Accuracy class	Class B		
Pressure loss	≤0.063 MPa		
Max working pressure	1.0MPa		
Temp class	T30		
Level of protection	IP 68		
Installation environment	Indoor, Class B		
Electromagnetic environment	E1		
Power supply	DC 3.6V		
Battery life	≥6 years(Push data every 3 days)		
Battery capacity	3.8Ah		
Installation pitch	U10/D5		
Networking way	Automatic		

Maximum allowable error Q1–Q2 ± 5%;
 Maximum allowable error Q3–Q4;
 Water temperature ≤30°C, max permissible error ± 2%;
 Water temperature > 30°C, max permissible error ± 3%.

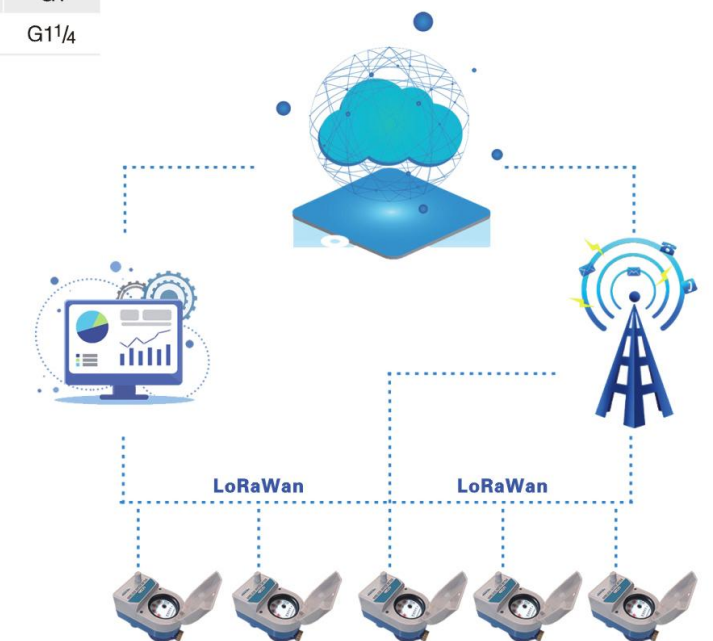


Dimension Parameters

DN	L	L1	B	H1	H2	Connection thread	
						d	D
15	258	165	90	120	190	R1/2	G3/4
20	299	195	90	120	190	R3/4	G1
25	345	225	90	120	190	R1	G1 1/4



When the wireless water meter (LoRaWan) is installed, it will automatically connect to the LoRaWan communication base station and send its own data to it at a fixed time each day. Depending on the configuration of the base station, the signal transmission distance of the water meter is also different. The LoRaWan base station will package and upload the data of all meters received to the cloud server, and the administrator can view and manage it through the monitoring system.

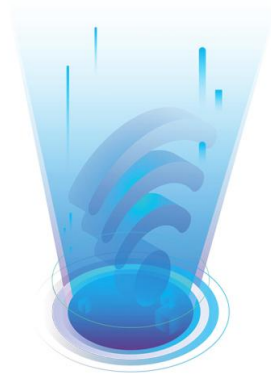


NB-IOT Water Meter

LXSG-S9-DN15-25



NB-IOT is the latest Internet of Things transmission communication technology. It has the advantages of low power consumption, multiple connections, wide coverage, high security, etc., and our LXSG-S9 wireless WESDOM water meter (NB-IOT) is used A new generation of smart water meter with NB-IOT module, which replaces the original GPRS wireless transmission mode, and further improves and optimizes the wireless WESDOM solution. However, it should be noted that the current coverage of NB-IOT networks in some countries is not optimistic, and it is believed that this situation will be improved in the future.



Periodic upload

The daily water meter will automatically upload the water consumption data of the previous 24 hours, and it also supports the upload of hourly data freeze information.

Self-protection function

To ensure the reliability of water meter, valve it will periodically rotate once a month. When the water meter is disturbed by a magnetic field, the valve will automatically close.



Valve control

When there is a user who refuses to pay, we can remotely turn off his water meter valve to stop water supply until he recharges again.

Lower cost

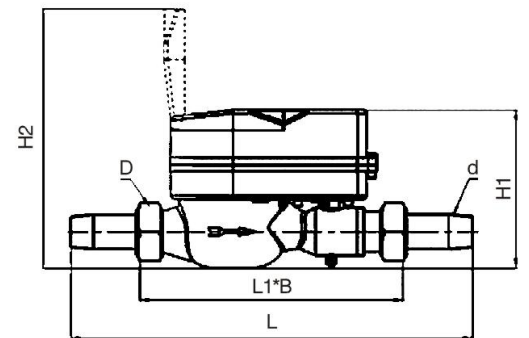
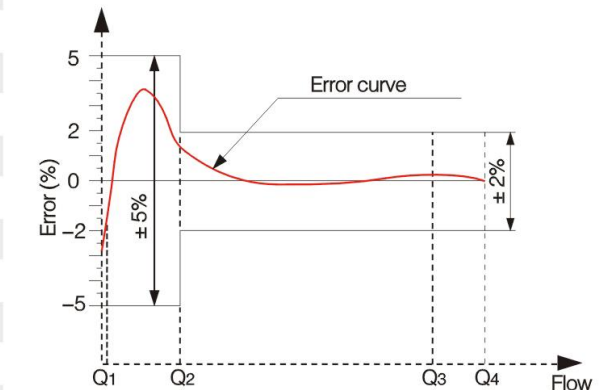
NB-IOT has lower consumption costs than GPRS and other communication methods, Because the amount of data it needs to transmit is smaller, the cost we need to invest in the later period will be small.

Water Meter

Technical Parameters

Nominal diameter	15	20	25
Max flow Q4(m³/h)	3.125	5	7.87
Nominal flow Q3(m³/h)	2.5	4	6.3
Transitional flow Q2(m³/h)	0.02	0.032	0.05
Min flow Q1(m³/h)	0.013	0.02	0.032
Measuring range	R80		
Accuracy class	Class B		
Pressure loss	≤0.063 MPa		
Max working pressure	1.0MPa		
Temp class	T30		
Level of protection	IP 68		
Installation environment	Indoor, Class B		
Electromagnetic environment	E1		
Power supply	DC 3.6V		
Battery life	≥ 6 years(Push data every 3 days)		
Battery capacity	8.5Ah		
Installation position	Horizontal or Vertical		
Display	LCD		
Installation pitch	U10/D5		
Networking way	Automatic/Touch activation		

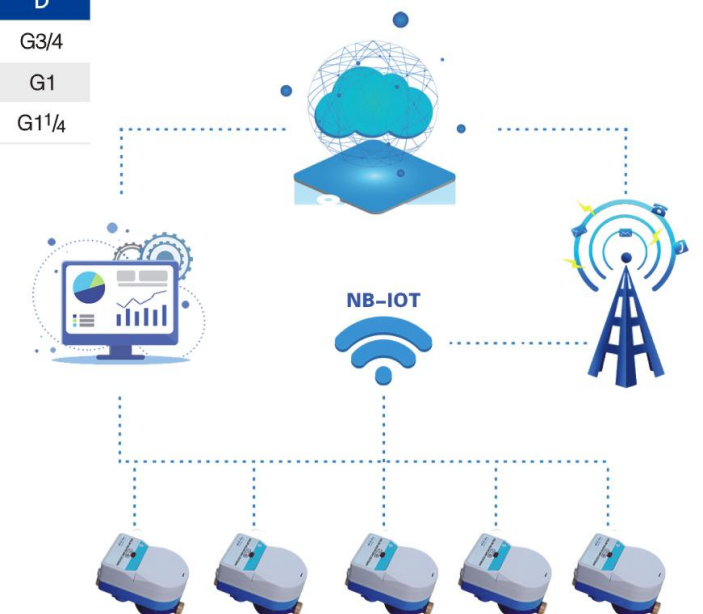
Maximum allowable error Q1-Q2 ± 5%;
 Maximum allowable error Q3-Q4;
 Water temperature ≤30°C, max permissible error ± 2%;
 Water temperature > 30°C, max permissible error ± 3%.



Dimension Parameters

DN	L	L1	B	H1	H2	Connection thread	
						d	D
15	258	165	90	120	200	R1/2	G3/4
20	299	195	90	120	200	R3/4	G1
25	345	225	90	120	200	R1	G1 1/4

Install a wireless water meter in each user's home. The water meter will search for nearby NB-IOT communication base stations and register to the IoT cloud platform. The water consumption data of the water meter can be uploaded to the platform through the communication base station. The client uses the cloud server to obtain real-time data of residents' water consumption, monitor the real-time water consumption of each resident, charge according to the water consumption of each household, support automatic deduction and manual entry and payment.



The following can be selected as Pre-paid Water Meter :

1. Difficulties in charging.
2. There are situations such as the refusal to pay fees.
3. Management wants to receive the water bill first.
4. Difficulty in reading meters.

The following can be selected as Wireless Remote Water Meter :

1. Difficulty in reading meters.
2. Statistics often make errors.
3. Users are dispersed and cannot be managed centrally.
4. Recharging is difficult for users.

The following can be selected as Wired Remote Water Meter :

1. Difficulty in reading meters.
2. Apartment or centralized housing management.
3. Limited budget, unable to use wireless water meters.
4. The wireless signal is weak or severely shielded.

1. Users are relatively concentrated and the budget is limited .

Choose LoRa wireless water meter.

2. The distribution of users is very dispersed and the budget is sufficient.

Choose GPRS wireless water meter.

3. There are other wireless products that need to be used together (using base stations, gateways) to choose lorawan wireless water meters.

4. The installation city has a NB-IOT communication base station with a wide coverage and stability. The budget for GPRS water meter is inadequate.

Choose NB-IOT wireless water meters.

The following can be selected as Small size Ultrasonic Water Meter :

1. Large error in measurement accuracy.
2. The water meter has a large error or even does not measure when the flow is small or the water is dripping.
3. Water quality is poor and the water meter is often blocked.
4. ?Difficulty reading meters and excessive energy consumption.

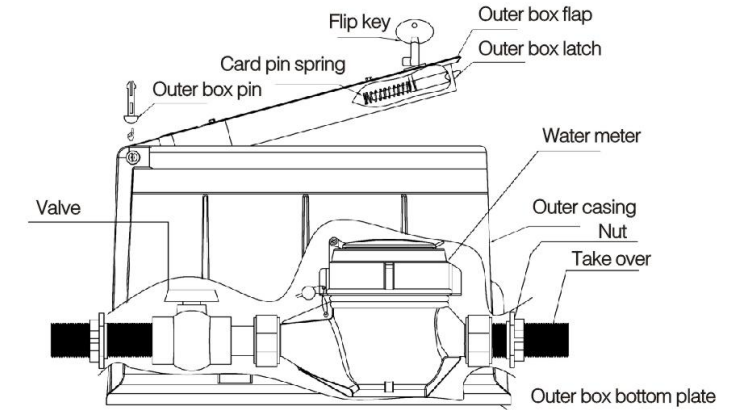
The following can be selected as Big size Ultrasonic Water Meter :

1. Inaccurate measurements of the pipe network and large errors result in substantial losses.
2. The wear and tear of mechanical water meters results in high maintenance costs.
3. The underground installation environment is difficult to read.
4. The water pressure and flow rate of the pipe network could not be monitored.

Water Meters Box

Water Meter

The water meter box raw material PP or PA. The whole body is black colour. Anti-pressure, and high temperature. The thickness not below 3mm.



Plastic Water Meter Box

Type	Figure	Bottom size	Top size	High	Material	Apply to	Compressive ability (kg)	Aperture (cm)
WB1001		38*20	37*18	17	PP/PA	25mm or 32mm	PP: 1500 PA:2000	5.2
WB1002		34.5*20.5	29.5*15	18	PP/PA	15mm or 20mm	PP: 1500 PA: 2000	3.2
WB1003		27.2*15.3	26.3*12.6	15.5	PP/PA	13mm or 15mm	PP: 1500 PA: 2000	3.2
WB1101		38*20	37*18	17	PP/PA	25mm or 32mm	PP: 1500 PA: 2000	4.5
WB1102		34.5*20.5	29.5*15	18	PP/PA	15mm or 20mm	PP: 1500 PA: 2000	5
WB1103		34.5*24.5	26.6*16.2	17	PP	15mm	900	4

Filter For Water Meter

Application

- Used for clearing pollution before water meter. Suit for pipeline of Ductile Iron, cast Iron, Steel, PVC, PE.

Standard

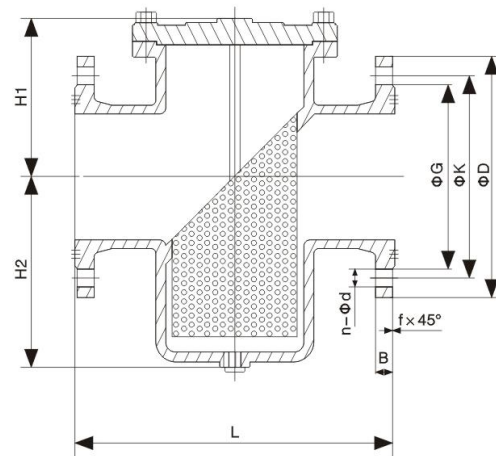
- National Standard

The Environment and Condition:

- MAP 10

Features

- The filter is made of stainless steel. It is not afraid of rust and has a long expiration date.
- Small pressure loss, large circulation capacity.
- Adopt the stainless steel fastener filter core to Max. rust prevention.
- Remove the filter element and remove the dirt. Cleaning is very convenient.



Dimensions

DN ^{+1.5} _{-1.5}	L ^{+3.0} _{-3.0}	D ^{+3.0} _{-3.0}	K ^{+1.5} _{-1.5}		G ⁺² ₋₂		B ^{+2.5} _{-2.5}	f	n-φd ^{+1.5} _{-1.5}		H1 ⁺²⁰ ₋₂₀	H2 ⁺²⁰ ₋₂₀
			PN10	PN16	PN10	PN16			PN10	PN16		
40	207	150	110	110	88	88	19	3	4-φ19	4-φ19	114	98
50	207	165	125	125	100	100	19	3	4-φ19	4-φ19	114	98
65	210	185	145	145	120	120	19	3	4-φ19	4-φ19	129	112
80	251	200	160	160	135	135	19	3	8-φ19	8-φ19	142	125
100	292	220	180	180	156	156	19	3	8-φ19	8-φ19	165	160
125	334	250	210	210	186	186	19	3	8-φ19	8-φ19	173	185
150	378	285	240	240	212	212	19	3	8-φ23	8-φ23	165	235
200	475	340	295	295	268	268	20	3	8-φ23	12-φ23	215	295
250	511	405	350	355	318	318	22	3	12-φ23	12-φ28	250	340
300	667	460	400	410	370	373	24.5	3	12-φ23	12-φ28	283	423
350	769	520	460	470	430	433	26.5	3	16-φ23	16-φ28	345	540
400	842	580	515	525	480	483	28	4	16-φ28	16-φ31	390	590
450	890	640	565	585	528	546	30	4	20-φ28	20-φ31	402	618
500	900	715	620	650	582	605	31.5	4	20-φ28	20-φ34	441	696
600	1000	840	725	770	680	710	36	5	20-φ30	20-φ37	523	834

Water Meter Parts

Water Meter



Mechanism for LXLC-(DN40~65mm)



Mechanism for LXLC-(DN80~200mm)



Mechanism for LXLC-(DN150~300mm)



Mechanism for LXLC-(DN350~600mm)



Mechanism for LXXG-(DN50~300mm)

