



KNIFE GATE VALVE

WEIZIDOM GROUP

WEIZIDOM GROUP

Enterprise Social Responsibility



WEIZIDOM are not only concerned about products, services and solutions.

WEIZIDOM promise to implement sustainable development and benefit society with energy-saving and environmental protection.

Our Purpose: People-Oriented, Hard Work, Never forget the original intention, Innovation and forge ahead.

Our Mission: To be a high-quality supplier of fluid control systems and plan maker; To contribute our wisdom and strength to the development of the cutting-edge technology of fluid control systems.

Our Vision: Explore the internal innovation spirit and creativity, pursuit, innovation and continuous improvement. Use wisdom, foresight and hard work to make "WEIZIDOM" a world-renowned brand; Make the group company grow into a respectable "Four Satisfaction" enterprise.

Customer Satisfaction: Use high-quality products and refined services to add value to customers.

Employee Satisfaction: People-oriented, build a platform for all employees to realize their dreams, everyone is the CEO.

Partner Satisfaction: Mutual promotion, improve, mutual benefit and win-win.

Shareholder Satisfaction: Enable the company to develop and grow, and return profits.

Our Values: Create differentiated value-added services for customers, let everyone in the company has a sense of accomplishment.



WEIZIDOM GROUP

Development History

2010

WEIZIDOM was established

In December 2010, WESDOM was registered with a registered capital of 5 million yuan;

June 2013, WESDOM passed ISO and other international certifications;

2015

WEIZIDOM established the first overseas branch

In June 2014, TIANJIN WESDOM VALVE MANUFACTURING CO.,LTD. was established in Tianjin, where the production of butterfly valves is concentrated;

2016

WEIZIDOM products are exported to overseas regions and markets

In July 2015, the first overseas branch company WEISIDUN MATERIAL SOLUTION COMPANY was established in the beautiful African continent -Tanzania, and WESDOM began to expand into the international market;

In December 2015, WESDOM established a special foreign trade import and export company in Zhengzhou, the hinterland of the Central Plains HENAN WEISIDUN IMPORT AND EXPORT TRADE CO.,LTD.,to make up for the domestic shortcomings of entering the international market;

In 2016, WESDOM brand products have been exported to Tanzania, Zambia, Egypt, Turkey, Pakistan, Thailand, Indonesia, Vietnam, the Philippines, Saudi Arabia, Mexico and other countries and regions;

In 2017, the company carried out production, procurement adjustments and layouts, expanded product series, initially formed a production and procurement system for water series products (control and connection systems), and established a procurement system for major production clusters across the south and north. ;



2018

Zambia branch was established, and the group company expanded its measurement products series

In January 2018, the second exclusive import and export company was established—HENAN WESDOM FLOW CONTROL CO.,LTD.In August of the same year, the second overseas branch company—WESDOM VALVES AND FITTINGS COMPANY LIMITED was established in Zambia, Africa;

In 2020, under the influence of the unfavorable factors of the domestic and foreign epidemic situation, the company has achieved the goal of breaking 100 million yuan in addition to the continuous growth of sales.

2019

WESDOM launched a series of plastic materials

In 2018, the series of measurement products (water meters, flow meters) were expanded, and the supply chain system was further enriched and improved;

In April 2021, the Kenya branch WESDOM VALVES AND FITTINGS(K) CO LIMITED was established and operated well, its products occupy the African market successfully.

2020

WESDOM sales exceeded 20 million USD

In 2019, a series of plastic material products were launched; the company's valves and pipe fittings passed the CE certification; WESDOM overall sales performance exceeded 90 million in the same year;

To be continued...

2021

Kenya branch is established, WESDOM products occupy the African market

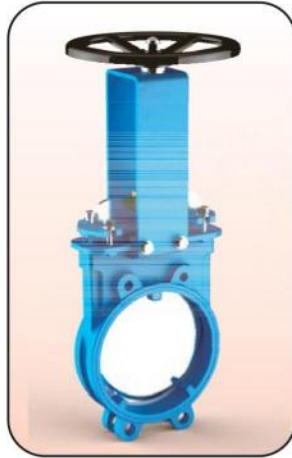
.....



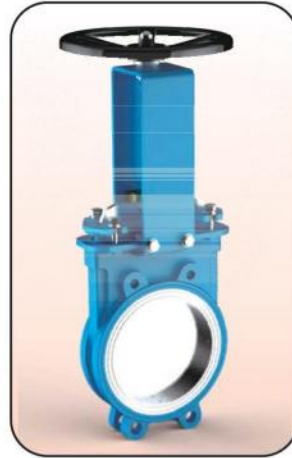
WEIZIDOM GROUP PRODUCT DISPLAY



TU



TB



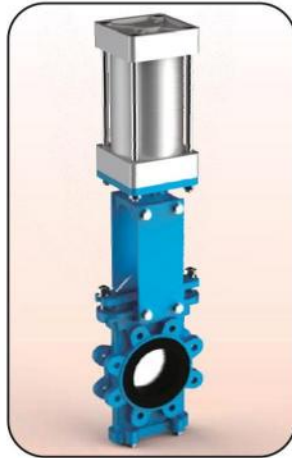
TB2



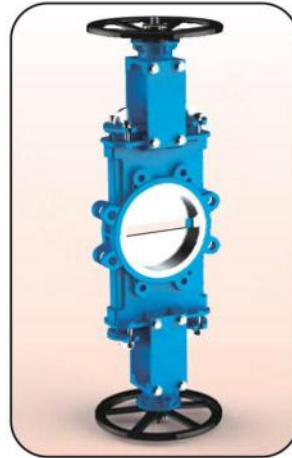
TC



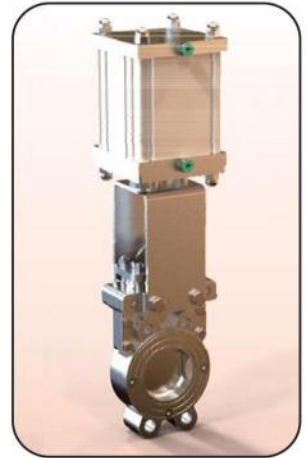
TY



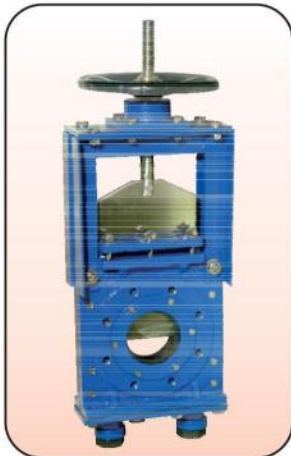
TW1



TE



TX



TW2



TH

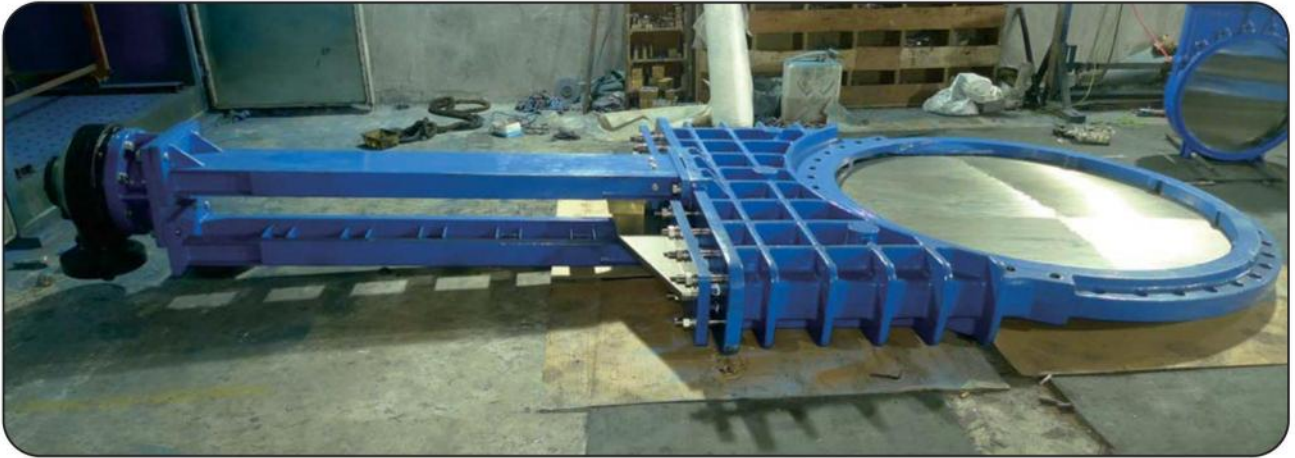


TG



TA

WEIZIDOM GROUP PRODUCT DISPLAY



Large caliber KGV of TU series



TY



TX



Non-standard



TB Full Lugs Type



TU



TB2



Slide gate valve



Channel gate valve

WEIZIDOM GROUP

PRODUCT DESCRIPTION

ADVANTAGES OF KNIFE GATE VALVE

Knife gate valve, also known as knife type gate valve, slurry valve, was introduced into China in 1980s. Its service is enlarged from daily sector to wide sectors in less than 20 years. It has developed from coal preparation, refuse discharging, sludge discharging to sewage treatment in cities, from ordinary industrial pipelines to professional pipeline systems in food, hygiene and pharmacy. Featured small size, small flow resistance, light weight, easy installation and disassembly, ultra-light type knife gate valve has completely solved the problems such as big flow resistance, heavy weight, difficult installation and large space of valves, such as gate valve, slab gate valve, ball valve, globe valve, control valve and butterfly valve. Common valves used for shut off and control are replaced by it since it is introduced into the market.

SELECTION OF KNIFE GATE VALVE

1. Customers shall specify working condition, fluid media, working pressure, fluid temperature, nominal diameter, material and quantity of purchased valves.
2. If customers have special requirements for purchased valves, they shall provide drawings and specify these requirements on the contract and the products will be made to meet these requirements.
3. If customers do not specify brands for driving devices, they will be installed from specified models of the company.

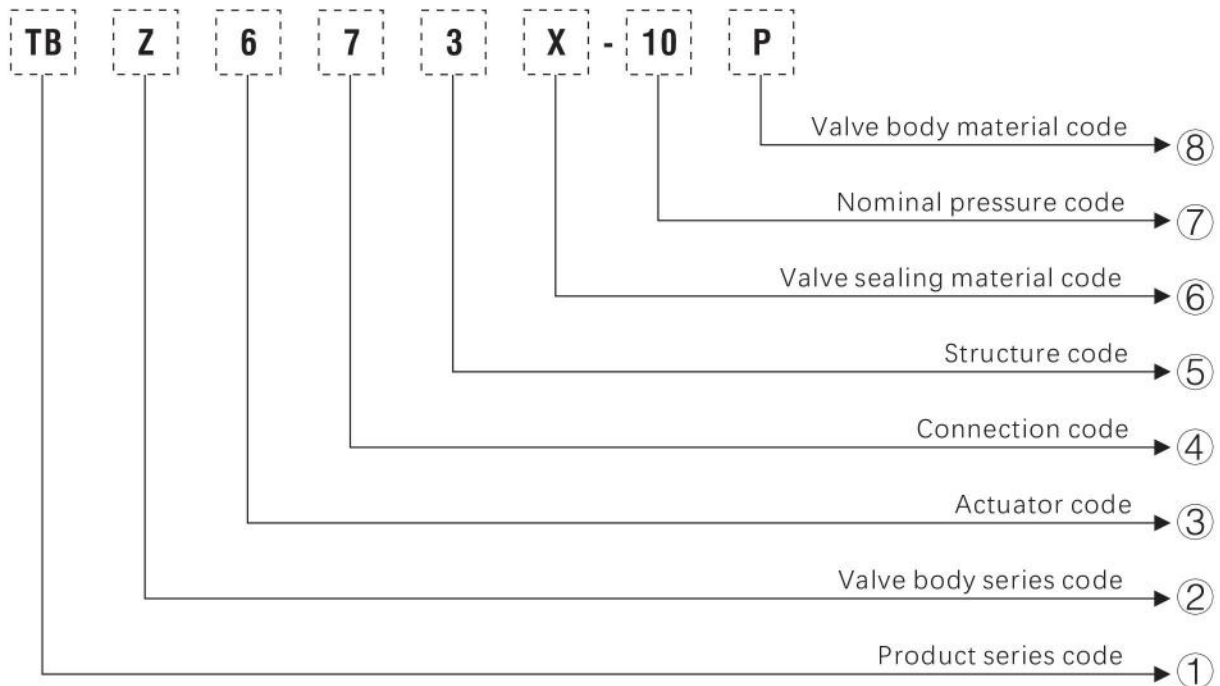
INSTALLATION OF THE KNIFE GATE VALVE

1. There shall be no dirt or sands in the valve cavity and on the sealing surface before its installation;
2. Bolts on connections shall be tightened evenly;
3. Check packings are pressed tightly to ensure their sealing and to ensure the open flexibility of gates. Add oil regularly and press the bolts tightly.
4. Customers shall check models, connection sizes of valves and flow direction of media to ensure they are conformed with purchased valves before they are installed.
5. Customers shall leave necessary rooms for valves' driving devices when installing valves.
6. Wiring of the driving devices shall be connected according to the circuit diagram.
7. Knife gate valves shall be maintained regularly and shall not be crashed or collided so as to impact their sealing.

MAINTENANCE OF THE KNIFE GATE VALVES

1. Handwheel, lever and drive mechanism are not allowed for lift and are prohibited to be collided.
2. Double disc gate valve shall be installed vertically (meaning the valve stem is on the vertical position and the handwheel is on the top.)
3. The gate valve with by-pass valve shall open its by-pass valve before its opening to balance the differential pressure between inlet and outlet ends and decrease its opening force.
4. The gate valve with drive mechanism shall be installed according to its instruction manual.
5. For valves which are often used for opening and closing shall be lubricated at least once a month.

EXPLANATION ON MODEL PREPARATION



Code	Type	Code	Type
①	TU:Slurry valve series TB:Knife gate valve series TY:Wafer type knife gate valve series TC:Through conduit knife gate valve series TW:Rubber lined knife gate valve series TH:High pressure through conduit knife gate valve series TE:Double open knife gate valve	②	Z:Knife gate valve
③	Omission: handwheel operation 2:Electro-hydraulic 5:Gear 6:Pneumatic 7:Hydraulic 9:Electric L:Chain wheel F:Lever	④	7:Wafer 4:Flange 5:Full lug type (it can be made to wafer or flange)
⑤	3:Parallel single disc	⑥	F:PTFE sealing X:Rubber sealing W:Metal to Metal H:Stainless steel hard sealing Y:Hard alloy or hardening treatment N:Polyurethane TC:Ceramic lined
⑦	GB:PN1.0-2.5MPa ANSI:150Lb JIS:10K BS:Table D, BS4504 DIN:PN1.0-2.5MPa AS:Table D, AS2129-2000	⑧	Omission :HT200 Q:GGG40 C:WCB P:CF8 PL:CF3 R:CF8M RL:CF3M

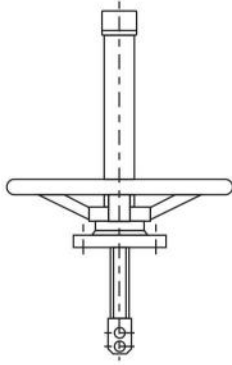
WEIZIDOM GROUP

Group headquarters : Central Plains E-Commerce Bulidling, Zhengzhou South City, China

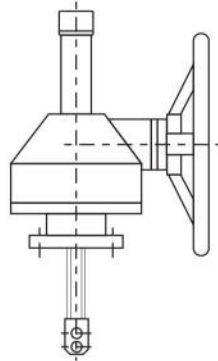
Branch Factory: Shanghai,Tianjin, Hebei, Shandong, Wenzhou, lianyungang

Branch Company in Overseas:Tanzania,Zambia,Kenya in Africa

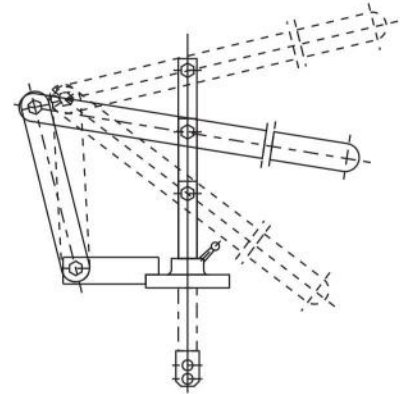
SELECTION FOR ACTUATOR



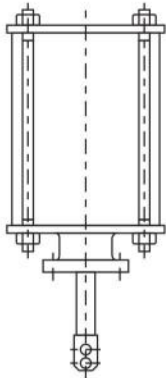
Handwheel



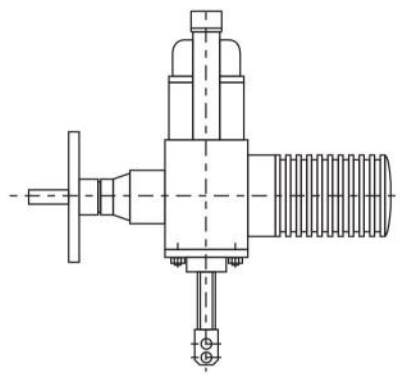
Gear



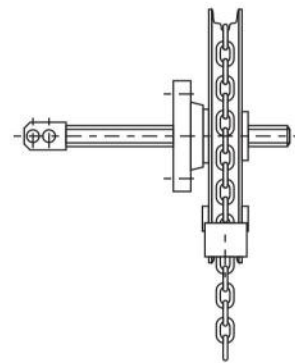
Lever



Pneumatic Actuator



Electric Actuator

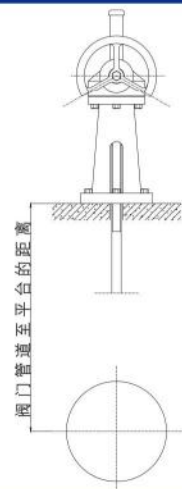


Chain wheel

Electro-hydraulic or hydraulic actuator can be installed according to customers' requirements.

SELECTION FOR SPARE PARTS

Solenoid valve
 Air filter
 Limit switch
 Proximity switch
 Positioner
 Distribution box
 Hoist for platform operation
 If customers have special requirements for valve stem,
 they shall provide the distance from platform to center
 of valve pipeline.



WEIZIDOM GROUP

Group headquarters : Central Plains E-Commerce Building, Zhengzhou South City, China

Branch Factory: Shanghai, Tianjin, Hebei, Shandong, Wenzhou, Lianyungang

Branch Company in Overseas: Tanzania, Zambia, Kenya in Africa

Temperature resistance table for materials

Valve seat sealing

Material	Max. TEMP.(°C)	Applications
Metal/Metal	>250	High temperature / low sealtightness
EPDM	120	Non-mineral oils,acids and water.
NBR	120	Hydrocarbons,oils and greases
Viton	200	Hydricarbon and solvents
Silicon	200	Food Products
PTFE	250	Resistant to corrosion

(If you ask for other materials and details, please contact us for more information.)

Packing

Material	Max. TEMP.(°C)	PH
Asbestos	50	6-8
PTFE	240	0-14
Graphite	600	0-14
Ceramic fiber	1200	0-14

NOTE: Except valves with graphite packing and ceramic fiber packing, valves with other packing are added another O ring rubber to increase their elasticity.

Temperature resistance for casting material

Material	Max. TEMP.(°C)	Applications
WCB	> -30°C < +425°C	Non corrosive applications, including water, oil and gas
304	> -268°C < +649°C	Good corrosion resistance or non corrosive application at ultra-low or high temperature
316	> -268°C < +649°C	It has better corrosion resistance or is used under extreme low or high temperature and harsh conditions
316L	<700°C	Very good corrosion resistance or use under ultra-low or high temperature environment

(Choose different materials according to requirements from customers.)

Sealing structure selection

Drawing1: Uni-directional with hard sealing structure (is suitable for using in high temperature low sealing environment of solid particles)

Drawing 2: Uni-directional movable valve seat with hard sealing structure (is suitable for solid particles and has abrasion resistance; the valve seat has movable function and the gate has cut off function.)

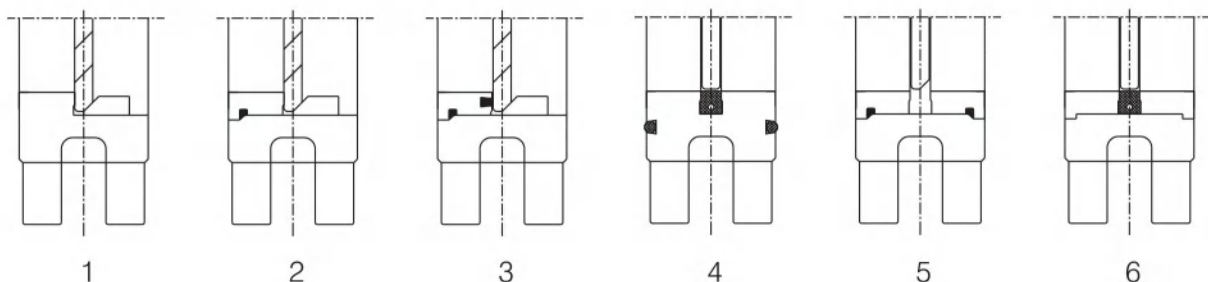
Drawing 3: Uni-directional movable seat with soft sealing structure (is suitable for pipes with slags and fibers and the seat can be changed.)

Drawing 4: Bi-directional soft sealing structure with no grooves (is suitable for using in sewage pipeline and tap water pipeline.)

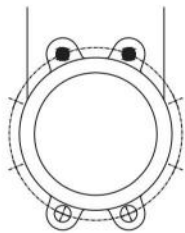
Drawing 5: Bi-directional movable seat with hard sealing structure (is suitable for silt and powder pipeline, abrasion-resistant and the seat can be changed.)

Drawing 6: Bi-directional movable seat with no grooves bottom soft sealing structure (is suitable for coal mines, slurry, sewage and abrasion resistant and the seat can be changed.)

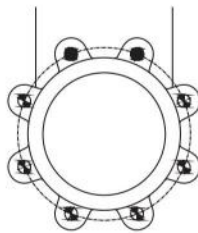
Selection for valve seat



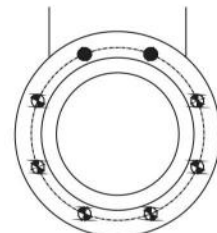
Selection for shape



Wafer type



Flange type (lug)



Flange type (round)

Knife gate valves manufactured in the company have three shapes: wafer, lug and flange.

Installation type

Installation type: A, B are connected in wafer type and C, D are connected in flange type. The round type can be connected in wafer. Normally, the wafer type is lug type (A) and flange type is lug type (C). If customers have different requirements, they shall notify the company.



A
Wafer type



B
Wafer type

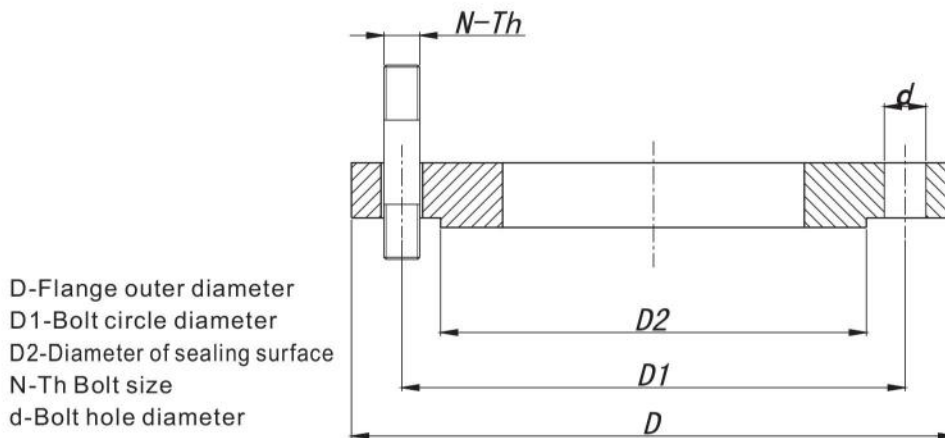


C
Flange type



D
Flange type

Flange connection dimensions



D-Flange outer diameter
D1-Bolt circle diameter
D2-Diameter of sealing surface
N-Th Bolt size
d-Bolt hole diameter

PN10 (DIN2632)

DN	D	D1	D2	N-Th	d
50	165	125	102	4-M16	Φ18
65	185	145	122	4-M16	Φ18
80	200	160	138	8-M16	Φ18
100	220	180	158	8-M16	Φ18
125	250	210	188	8-M16	Φ18
150	285	240	212	8-M20	Φ23
200	340	295	268	8-M20	Φ23
250	395	350	320	12-M20	Φ23
300	445	400	370	12-M20	Φ23
350	505	460	430	16-M20	Φ23
400	565	515	482	16-M24	Φ27
450	615	565	532	20-M24	Φ27
500	670	620	585	20-M24	Φ27
600	780	725	685	20-M27	Φ30
700	895	840	800	24-M27	Φ30
800	1015	950	905	24-M30	Φ33
900	1115	1050	1005	28-M30	Φ33
1000	1230	1160	1110	28-M33	Φ36
1200	1455	1380	1330	32-M36	Φ39
1400	1675	1590	1535	36-M39	Φ42
1600	1915	1820	1760	40-M45	Φ48
1800	2115	2020	1960	44-M45	Φ48
2000	2325	2230	2170	48-M45	Φ48

PN16 (DIN2633)

DN	D	D1	D2	N-Th	d
50	165	125	102	4-M16	Φ18
65	185	145	122	4-M16	Φ18
80	200	160	138	8-M16	Φ18
100	220	180	158	8-M16	Φ18
125	250	210	188	8-M16	Φ18
150	285	240	212	8-M20	Φ23
200	340	295	268	12-M20	Φ23
250	405	355	320	12-M24	Φ27
300	460	410	378	12-M24	Φ27
350	520	470	438	16-M24	Φ27
400	580	525	490	16-M27	Φ30
450	640	585	550	20-M27	Φ30
500	715	650	610	20-M30	Φ33
600	840	770	725	20-M33	Φ36
700	910	840	795	24-M33	Φ36
800	1025	950	900	24-M36	Φ39
900	1125	1050	1000	28-M36	Φ39
1000	1255	1170	1115	28-M39	Φ42
1200	1485	1390	1330	32-M45	Φ48
1400	1685	1590	1530	36-M45	Φ48
1600	1930	1820	1750	40-M52	Φ56
1800	2130	2020	1950	44-M52	Φ56
2000	2345	2230	2150	48-M56	Φ62

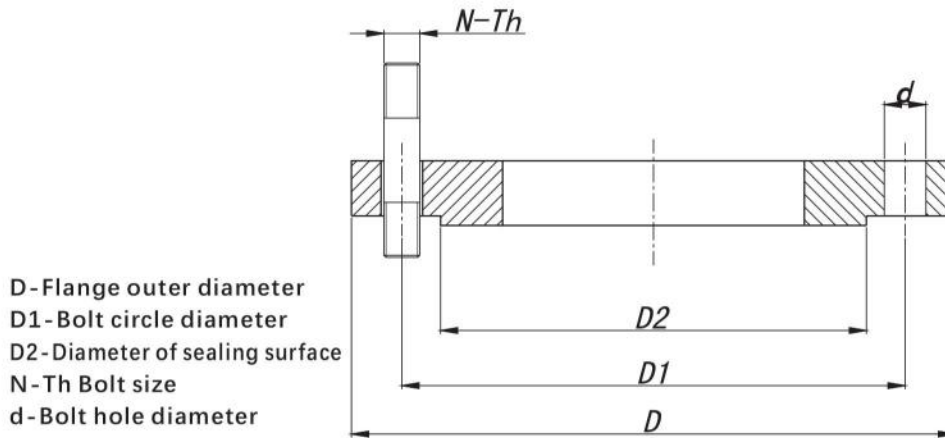
WEIZIDOM GROUP

Group headquarters : Central Plains E-Commerce Building, Zhengzhou South City, China

Branch Factory: Shanghai, Tianjin, Hebei, Shandong, Wenzhou, lianyungang

Branch Company in Overseas: Tanzania, Zambia, Kenya in Africa

Flange connection dimensions



D- Flange outer diameter
D1- Bolt circle diameter
D2- Diameter of sealing surface
N- Th Bolt size
d- Bolt hole diameter

PN10 (GB/T9113.1)

DN	D	D1	D2	N-Th	d
50	165	125	99	4-M16	Φ18
65	185	145	118	4-M16	Φ18
80	200	160	132	8-M16	Φ18
100	220	180	156	8-M16	Φ18
125	250	210	184	8-M16	Φ18
150	285	240	211	8-M20	Φ23
200	340	295	266	8-M20	Φ23
250	395	350	319	12-M20	Φ23
300	445	400	370	12-M20	Φ23
350	505	460	429	16-M20	Φ23
400	565	515	480	16-M24	Φ27
450	615	565	530	20-M24	Φ27
500	670	620	582	20-M24	Φ27
600	780	725	682	20-M27	Φ30
700	895	840	794	24-M27	Φ30
800	1015	950	901	24-M30	Φ33
900	1115	1050	1001	28-M30	Φ33
1000	1230	1160	1112	28-M33	Φ36
1200	1455	1380	1328	32-M36	Φ39

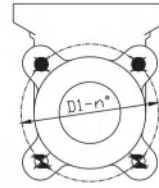
PN16 (GB/T9113.1)

DN	D	D1	D2	N-Th	d
50	165	125	99	4-M16	Φ18
65	185	145	118	4-M16	Φ18
80	200	160	132	8-M16	Φ18
100	220	180	156	8-M16	Φ18
125	250	210	184	8-M16	Φ18
150	285	240	211	8-M20	Φ23
200	340	295	266	12-M20	Φ23
250	405	355	319	12-M24	Φ27
300	460	410	370	12-M24	Φ27
350	520	470	429	16-M24	Φ27
400	580	525	480	16-M27	Φ30
450	640	585	548	20-M27	Φ30
500	715	650	609	20-M30	Φ33
600	840	770	720	20-M33	Φ36
700	910	840	794	24-M33	Φ36
800	1025	950	901	24-M36	Φ39
900	1125	1050	1001	28-M36	Φ39
1000	1255	1170	1112	28-M39	Φ42
1200	1485	1390	1328	32-M45	Φ48

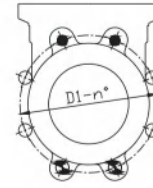
Flange and connection details

GB/T9113.1 PN10

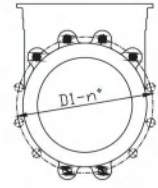
DN	D1	n°	M	T	◆	⊕	⚙
50	125	4	M-16	10	2 - 0 - 2		
65	145	4	M-16	10	2 - 0 - 2		
80	160	8	M-16	12	2 - 4 - 2		
100	180	8	M-16	12	2 - 4 - 2		
125	210	8	M-16	14	2 - 4 - 2		
150	240	8	M-20	14	2 - 4 - 2		
200	295	8	M-20	14	2 - 4 - 2		
250	350	12	M-20	18	4 - 6 - 2		
300	400	12	M-20	21	4 - 6 - 2		
350	460	16	M-20	21	6 - 8 - 2		
400	515	16	M-24	25	6 - 8 - 2		
450	565	20	M-24	25	8 - 10 - 2		
500	620	20	M-24	26	8 - 10 - 2		
600	725	20	M-27	26	8 - 10 - 2		
700	840	24	M-27	22	10 - 12 - 2		
800	950	24	M-30	22	10 - 12 - 2		
900	1050	28	M-30	22	12 - 12 - 4		
1000	1160	28	M-33	22	12 - 12 - 4		
1200	1380	32	M-36	33	14 - 14 - 4		



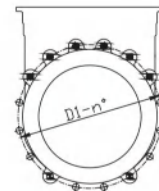
DN50-65



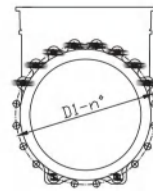
DN80-200



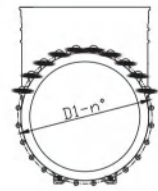
DN250-300



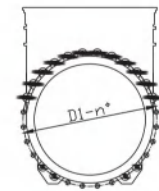
DN350-400



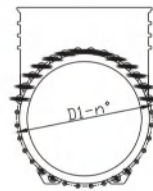
DN450-600



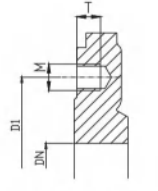
DN700-800



DN900-1000



DN1200

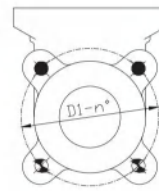


Blind hole tapping

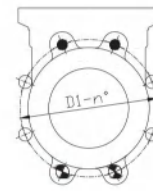
- ◆ Blind hole thread
- ⊕ Through hole
- ⚙ Drilling through

GB/T9113.1 PN16

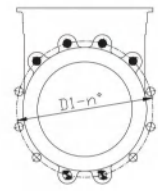
DN	D1	n°	M	T	◆	⊕	⚙
50	125	4	M-16	10	2 - 0 - 2		
65	145	4	M-16	10	2 - 0 - 2		
80	160	8	M-16	12	2 - 4 - 2		
100	180	8	M-16	12	2 - 4 - 2		
125	210	8	M-16	14	2 - 4 - 2		
150	240	8	M-20	14	2 - 4 - 2		
200	295	12	M-20	14	4 - 6 - 2		
250	355	12	M-24	18	4 - 6 - 2		
300	410	12	M-24	21	4 - 6 - 2		
350	470	16	M-24	21	6 - 8 - 2		
400	525	16	M-27	25	6 - 8 - 2		
450	585	20	M-27	25	8 - 10 - 2		
500	640	20	M-30	26	8 - 10 - 2		
600	725	20	M-33	26	8 - 10 - 2		
700	840	24	M-33	22	10 - 12 - 2		
800	950	24	M-36	22	10 - 12 - 2		
900	1050	28	M-36	22	12 - 12 - 4		
1000	1170	28	M-39	22	12 - 12 - 4		
1200	1390	32	M-45	33	14 - 14 - 4		



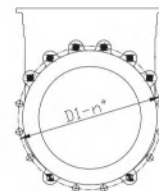
DN50-65



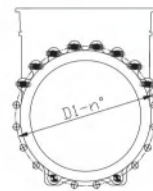
DN80-150



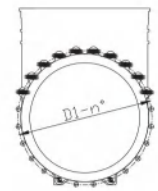
DN200-300



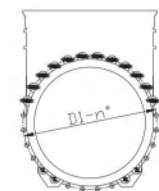
DN350-400



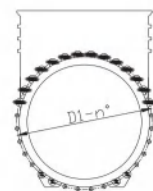
DN450-600



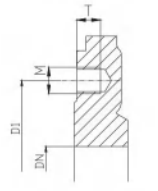
DN700-800



DN900-1000



DN1200



Blind hole tapping

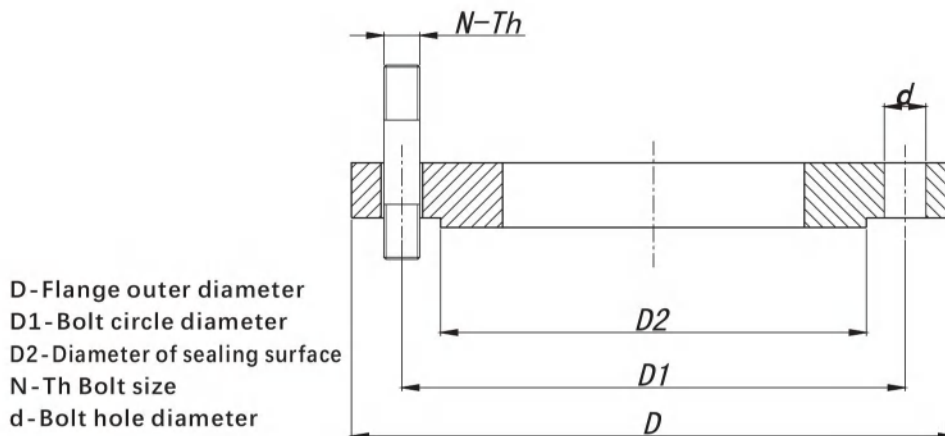
WEIZIDOM GROUP

Group headquarters : Central Plains E-Commerce Building, Zhengzhou South City, China

Branch Factory: Shanghai, Tianjin, Hebei, Shandong, Wenzhou, lianyungang

Branch Company in Overseas: Tanzania, Zambia, Kenya in Africa

Flange connection dimensions



D- Flange outer diameter
D1- Bolt circle diameter
D2- Diameter of sealing surface
N-Th Bolt size
d- Bolt hole diameter

10K (JIS B2239-2004)

DN	D	D1	D2	N-Th	d
50	155	120	96	4-M16	Φ19
65	175	140	116	4-M16	Φ19
80	185	150	126	8-M16	Φ19
100	210	175	151	8-M16	Φ19
125	250	210	182	8-M20	Φ23
150	280	240	212	8-M20	Φ23
200	330	290	262	12-M20	Φ23
250	400	355	324	12-M22	Φ25
300	445	400	368	16-M22	Φ25
350	490	445	413	16-M22	Φ25
400	560	510	475	16-M24	Φ27
450	620	565	530	20-M24	Φ27
500	675	620	585	20-M24	Φ27
550	745	680	640	20-M30	Φ33
600	795	730	690	24-M30	Φ33
650	845	780	740	24-M30	Φ33
700	905	840	800	24-M30	Φ33
750	970	900	855	24-M30	Φ33
800	1020	950	905	28-M30	Φ33
850	1070	1000	955	28-M30	Φ33
900	1120	1050	1005	28-M30	Φ33
1000	1235	1160	1110	28-M36	Φ39
1100	1345	1270	1220	28-M36	Φ39
1200	1465	1380	1325	32-M36	Φ39
1350	1630	1540	1480	36-M42	Φ45
1500	1795	1700	1635	40-M42	Φ45

150Lb (ANSI B16.5 & ASME B16.47)

DN	D	D1	D2	N-Th	d
2D	153	120.5	92	4-5/8DUNC	Φ19
2.5D	178	139.5	105	4-5/8DUNC	Φ19
3D	191	152.5	127	4-5/8DUNC	Φ19
4D	229	190.5	157	8-5/8DUNC	Φ19
5D	254	216	186	8-3/4DUNC	Φ22
6D	280	241.5	216	8-3/4DUNC	Φ22
8D	343	298.5	270	8-3/4DUNC	Φ22
10D	407	362	324	12-7/8DUNC	Φ25
12D	483	432	381	12-7/8DUNC	Φ25
14D	534	476	413	12-1DUNC	Φ29
16D	597	539.5	470	16-1DUNC	Φ29
18D	635	578	534	16-1 1/8DUNC	Φ32
20D	699	635	584	20-1 1/8DUNC	Φ32
24D	813	749.5	692	20-1 1/4DUNC	Φ35
26D	870	806.5	749	24-1 1/4DUNC	Φ35
28D	925	863.5	800	28-1 1/4DUNC	Φ35
30D	985	914.5	857	28-1 1/4DUNC	Φ35
32D	1060	978	914	28-1 1/2DUNC	Φ41
36D	1170	1086	1022	32-1 1/2DUNC	Φ41
40D	1290	1200	1124	36-1 1/2DUNC	Φ41
42D	1345	1257	1194	36-1 1/2DUNC	Φ41
44D	1405	1314	1245	40-1 1/2DUNC	Φ41
48D	1510	1422	1359	44-1 1/2DUNC	Φ41
52D	1625	1537	1461	44-1 3/4DUNC	Φ47
56D	1745	1651	1575	48-1 3/4DUNC	Φ47
60D	1855	1759	1676	52-1 3/4DUNC	Φ47

WEIZIDOM GROUP

Group headquarters : Central Plains E-Commerce Bulidling, Zhengzhou South City, China

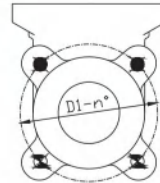
Branch Factory: Shanghai,Tianjin, Hebei, Shandong, Wenzhou, lianyungang

Branch Company in Overseas:Tanzania,Zambia,Kenya in Africa

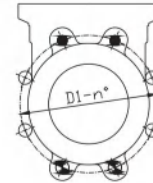
Flange and connection details

JIS B2239-2004 10K

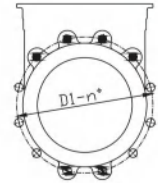
DN	D1	n°	M	T	◆	⊕	⚡
50	120	4	M-16	10	2 - 0 - 2		
65	140	4	M-16	10	2 - 0 - 2		
80	150	8	M-16	12	2 - 4 - 2		
100	175	8	M-16	12	2 - 4 - 2		
125	210	8	M-20	14	2 - 4 - 2		
150	240	8	M-20	14	2 - 4 - 2		
200	290	12	M-20	14	4 - 6 - 2		
250	355	12	M-22	18	4 - 6 - 2		
300	400	16	M-22	21	6 - 8 - 2		
350	445	16	M-22	21	6 - 8 - 2		
400	510	16	M-24	25	6 - 8 - 2		
450	565	20	M-24	25	8 - 10 - 2		
500	620	20	M-24	26	8 - 10 - 2		
600	730	24	M-30	26	10 - 12 - 2		
700	840	24	M-30	22	10 - 12 - 2		
800	950	28	M-30	22	12 - 12 - 4		
900	1050	28	M-30	22	12 - 12 - 4		
1000	1160	28	M-30	22	12 - 12 - 4		
1200	1380	32	M-36	33	14 - 14 - 4		



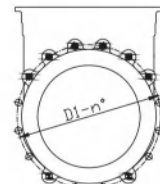
DN50-65



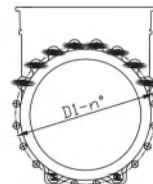
DN80-150



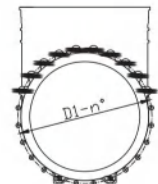
DN200-250



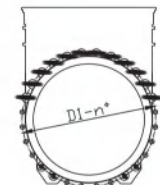
DN300-400



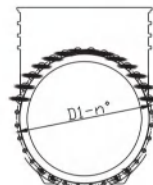
DN450-500



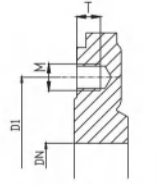
DN600-700



DN800-1000



DN1200

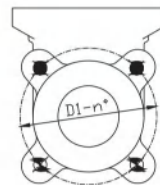


Blind hole tapping

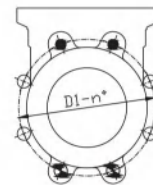
- ◆ Blind hole thread
- ⊕ Through hole
- ⚡ Drilling through

ANSI B16.5 & ASME B16.47 150Lb

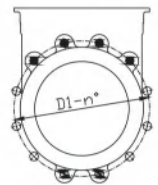
DN	D1	n°	M	T	◆	⊕	⚡
2"	120.5	4	5/8" UNC	10	2 - 0 - 2		
2 1/2"	139.5	4	5/8" UNC	10	2 - 0 - 2		
3"	152.5	4	5/8" UNC	12	2 - 0 - 2		
4"	190.5	8	5/8" UNC	12	2 - 4 - 2		
5"	216	8	3/4" UNC	14	2 - 4 - 2		
6"	241.5	8	3/4" UNC	14	2 - 4 - 2		
8"	298.5	8	3/4" UNC	14	2 - 4 - 2		
10"	362	12	7/8" UNC	18	4 - 6 - 2		
12"	432	12	7/8" UNC	21	4 - 6 - 2		
14"	476	12	1" UNC	21	4 - 6 - 2		
16"	540	16	1" UNC	25	6 - 8 - 2		
18"	578	16	1 1/8" UNC	25	6 - 8 - 2		
20"	635	20	1 1/8" UNC	26	8 - 10 - 2		
24"	749.5	20	1 1/4" UNC	26	8 - 10 - 2		
28"	863.5	28	1 1/4" UNC	26	10 - 16 - 2		
30"	914	28	1 1/4" UNC	22	10 - 16 - 2		
32"	978	28	1 1/2" UNC	22	10 - 16 - 2		
36"	1085.8	32	1 1/2" UNC	22	12 - 16 - 4		
40"	1200.2	36	1 1/2" UNC	30	14 - 18 - 4		



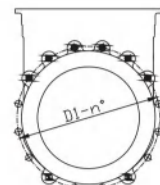
2"-3"



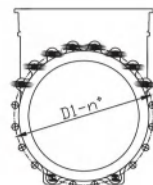
4"-8"



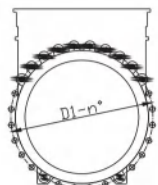
10"-14"



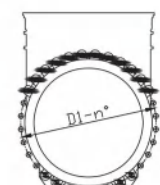
16"-18"



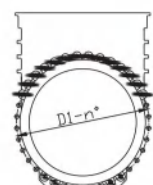
20"-24"



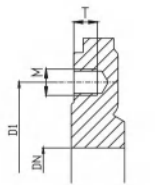
28"-32"



36"



40"



Blind hole tapping

WEIZIDOM GROUP

Group headquarters : Central Plains E-Commerce Bulidling, Zhengzhou South City, China

Branch Factory: Shanghai,Tianjin, Hebei, Shandong, Wenzhou, lianyungang

Branch Company in Overseas:Tanzania,Zambia,Kenya in Africa

TU series bi-directional sealing slurry valve (non-rising stem)

TU series bi-directional sealing slurry valve (non-rising stem) adopts one piece casting to produce the valve body and U type rubber sealing strip lined in grooves of the valve body and edges of the gate achieve the zero-leakage standard. Knife gate valve of this series has light structure, good sealing, easy opening and closing, easy operation and no grooves in the valve bottom make no blocking in the cavity so as to have full bore flowing. Widely used in sectors such as civil sewage treatment, power station, paper-making, chemical industry, tap water system and sludge discharge in mines, knife gate valves of this series have very wide applications and a promising future.

Suitable media

It is suitable for fluid which has suspending solid particles not exceeding 4% and is widely used for chemical factory, pumping system, food industry and sewage treatment. The media flow through valves of this series shall be filtered so as to avoid damaging the valves caused by big solid particles.

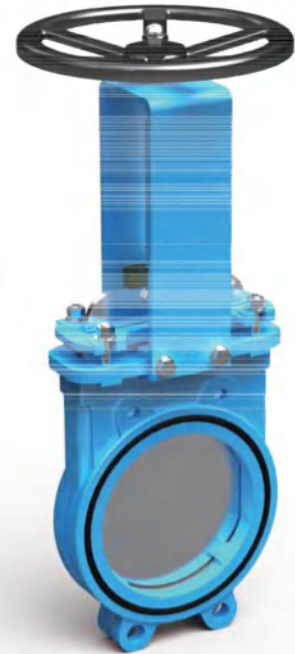
Specification: DN50~DN2000 (it can be designed and manufactured according to customers' requirements.)

Working pressure

- DN50~DN250: 10Kg/cm²
- DN300~DN400: 6Kg/cm²
- DN450: 5Kg/cm²
- DN500~DN600: 4Kg/cm²
- DN700~DN1200: 2Kg/cm²

Static water pressure test

- Sealing test: working pressure x 1.1
- Shell test: working pressure x 1.5

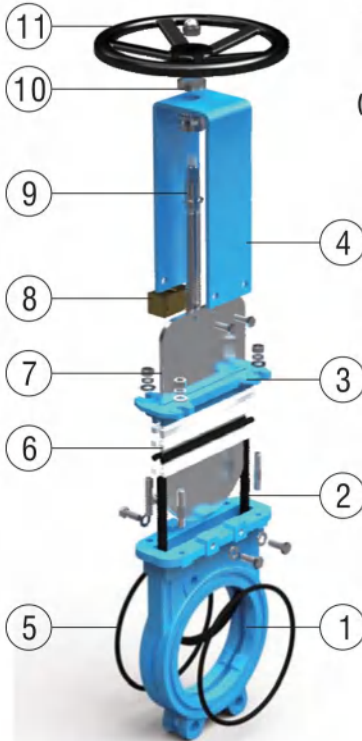


Common flange standards GB PN10、DIN PN10、ANSI B16.5 (class150)

Other flange standards GB PN16、GB PN25、DIN PN16、DIN PN25
BS"Table D" and "Table E"、ANSI150、JIS 10K

Execution standard

- Design standard JB/T8691-1998
- Face to face standard GB/T15188.2-94 table 6~table 7 MISS SP81
- Flange standard GB/T9113.1-2000
- Test and acceptance standard GB/T13927



(Other execution standards shall be provided by customers or negotiated by both parties.)

Advantageous features:

Comparing with valves of same series, TU series slurry valve has following advantages:
 1、 No grooves in the valve bottom make no blocking in the cavity so as to have full bore flowing;
 2、 Anti-dropping design of sealing strip makes the valve more durable;
 3、 Easy opening and closing with nice appearance and excellent sealing performance.

Main spare parts list

Spare parts	Material
1-Body	HT200、QT450、GGG40
2-Sealing	NBR、EPDM
3-Gland	WCB
4-Yoke	Q235
5-O-Ring	NBR
6-Packing	PTFE+NBR
7-Disc	2Cr13、201、304、316(L)
8-Stem Nut	Brass
9-Stem	GCr9
10-Bearing	GGG40

11-Handwheel
 -Undefined materials are recommended by the company. If customers have special requirements on materials, they shall notify the company.

WEIZIDOM GROUP

Group headquarters : Central Plains E-Commerce Bulidling, Zhengzhou South City, China

Branch Factory: Shanghai,Tianjin, Hebei, Shandong, Wenzhou, lianyungang

Branch Company in Overseas:Tanzania,Zambia,Kenya in Africa

TU series bi-directional sealing slurry valve (rising stem)

TU series bi-directional sealing slurry valve (rising stem) adopts one piece casting to produce the valve body and U type rubber sealing strip lined in grooves of the valve body and edges of the gate achieve the zero-leakage standard. Knife gate valve of this series has light structure, good sealing, easy opening and closing, easy operation and no grooves in the valve bottom make no blocking in the cavity so as to have full bore flowing. Widely used in sectors such as civil sewage treatment, power station, paper-making, chemical industry, tap water system and sludge discharge in mines, knife gate valves of this series have very wide applications and a

Suitable media

It is suitable for fluid which has suspending solid particles not exceeding 4% and is widely used for chemical factory, pumping system, food industry and sewage treatment. The media flow through valves of this series shall be filtered so as to avoid damaging the valves caused by big solid particles.

Specification: DN50~DN2000 (it can be designed and manufactured according to customers' requirements.)

Working pressure: DN50~DN250: 10Kg/cm²
 DN300~DN400: 6Kg/cm²
 DN450: 5Kg/cm²
 DN500~DN600: 4Kg/cm²
 DN700~DN1200: 2Kg/cm²

Static water pressure test:

Sealing test: working pressure x 1.1
 Shell test: working pressure x 1.5

Common flange standards: GB PN10、DIN PN10、ANSI B16.5 (class150)

Other flange standards: GB PN16、GB PN25、DIN PN16、DIN PN25
 BS "Table D" and "Table E"、ANSI150、JIS 10K



Execution standard:

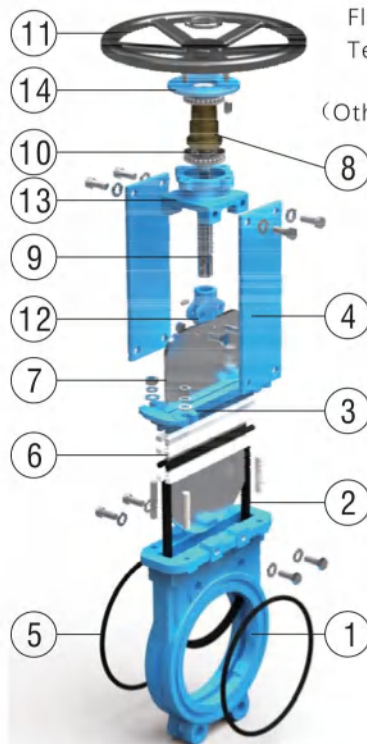
Design standard: JB/T8691-1998

Face to face standard: GB/T151 88.2-94 (table 6~table 7), MISSSP81

Flange standard: GB/T9113.1-2000

Test and acceptance standard: GB/T13927

(Other execution standards shall be provided by customers or negotiated by both parties.)



Advantageous features:

Comparing with valves of same series, TU series slurry valve has following advantages:
 1、 No grooves in the valve bottom make no blocking in the cavity so as to have full bore flowing;
 2、 Anti-dropping design of sealing strip makes the valve more durable;
 3、 Easy opening and closing with nice appearance and excellent sealing performance.

Main spare parts list

Spare parts	Material
1-Body	HT200、QT450、GGG40
2-Sealing	NBR、EPDM
3-Gland	WCB
4-Yoke	Q235
5-O-Ring	NBR
6-Packing	PTFE
7-Disc	2Cr13、201、304、316(L)
8-Stem Nut	Brass
9-Stem	2Cr13、201、304、316(L)
10-Bearing	GCr9
11-Handwheel	GGG40
12-Clamp	WCB
13-Yoke head	WCB
14-Nut	WCB

-Underlined materials are recommended by the company. If customers have special requirements on materials, they shall notify the company.

WEIZIDOM GROUP

Group headquarters : Central Plains E-Commerce Bulidling, Zhengzhou South City, China

Branch Factory: Shanghai,Tianjin, Hebei, Shandong, Wenzhou, lianyungang

Branch Company in Overseas:Tanzania,Zambia,Kenya in Africa

Description on main parts and structural principle

1-Body

The valve body is designed bi-directional sealing and adopts one piece casting technique. Full bore design enables the media to flow the valve in low differential pressure without flow resistance. The enlarging cavity design makes no blocking in seat. Clear-cut and beautiful profile makes the valve exquisite and prominent.

2-Disc

The gate is processed with mirror surface technique, which makes the friction between packing and smooth gate decrease significantly at the back seat, making gate open easier and packing not easy to be worn and more durable. In the inner sealing, the edge of gate is smoother and the friction between it and seat sealing strip decrease significantly, making the gate more labor saving, easier, more flexible during the opening and increase the wear resistance of the seat sealing strip and increase service life of sealing. Generally, the gate is SS304, but it can be changed or hardened according to customers' requirements. The hardening treatment enables the gate more wear resistant.

3-Sealtight materials

Sealing principle of TU slurry valve mainly depends on the pre-tightened friction between the seat sealing strip and the gate edge to reach bi-directional sealing. The seat sealing strip only adopts soft and elastic wear resistant rubber strip and this structure cannot adopt metal sealing and PTFE sealing, for they do not have the characteristics of softness and elasticity. The rubber strip of similar products in China adopts linear design which will be brought out of sealing groove by the gate during its opening and closing, making the valve sealing invalid. But our TU series products which have unique anti-dropping patent design make the rubber more durable and longer in service life and not dropping during usage. Generally, the seat sealing strip is made of NBR, but it can be changed into EPDM, Viton and silicon according to customers' requirements.

NBR: Oil-resistant and wear-resistant, it is normally used in media with oil and petroleum products. And the media temperature shall not exceed 90°C.

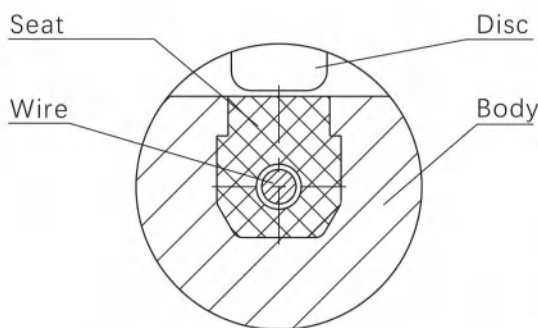
EPDM: Wear-resistant, it is used in sewage and wear-resistant pipes with temperature not exceeding 90°C.

Viton: Featured with corrosion-resistant and high temperature resistant, it is normally used in acid, alkali and corrosive media with continuing temperature lower than 190°C and short high temperature lower than 210°C.

Silicon: High temperature resistant and low toxic, it is normally used in food industry with highest temperature 200°C.

Advantages

The structure design is patent solely developed by the company. It adopts anti-dropping design in principle making sealing strip insert in the sealing groove of the valve body which makes it not easy to be dropped during the use and ensure the durability and sealing of the valve. Sealing surface of the seat sealing strip is horizontal to the valve body's bore, thus no grooves in the bottom of the valve. This design enables smooth flowing of the media in the valve cavity and no slags are left in the cavity. While similar products which have deep grooves are prone to be blocked and slags on the sealing strip easily destroy the strip and resulting in invalid sealing. But the structure of our products is durable and secure. The sealing structure of our products is easy for open and close and flexible for opening.



No groove structure in seat bottom

Description on main parts and structural principle

4-Packing

The packing of TU slurry valve adopts deepening design which makes the depth of the packing bigger and sealing elasticity stronger and improves the sealing of back seat, making it not prone to be leaked. Generally, we adopt PTFE plus one layer of O ring wear-resistant rubber strip in packing, which increases the elasticity of the packing and the gland does not need to be pressed completely to seal and changeable elasticity makes the packing compensable during the use and increase its durability. We can change packing materials according to customers' requirements.

Asbestos packing: common material and its temperature resistance not higher than 50°C. Its sealing is not good and is not used widely as well. It is mainly used for valves do not need high requirements of sealing.

PTFE packing: wear-resistant, corrosion-resistant and its temperature resistance can reach 240°C. It is used widely and is our normally used material.

Graphite packing: high temperature resistant with highest temperature 600°C. It is used in high temperature environment.

Ceramic fiber packing: it can endure the highest temperature 1200°C and used in high-temperature furnace.

(NOTE: Except valves with graphite packing and ceramic fiber packing, valves with other packing will be added another O ring rubber to increase their elasticity.)

5-Stem

The valve stem of TU slurry valve is made of wear-resistance stainless steel 2Cr13. It can be made in different materials according to customers' requirements. Its structure is rising and non-rising and normally we select the latter. If customers choose rising stem, please notify us in advance. The stem is a wearing part, so it needs to be protected with hood if the valve is used in a dusty environment and needs to be lubricated with grease regularly.

6-Gland

When the packing gland is used, its bolts to be tightened to ensure the gland pressed evenly and the packing can seal the valve body completely. Normally, the valve body is iron cast, ductile iron, cast steel and the gland selects cast steel. If the valve body is stainless steel and the gland will be in stainless steel as well. It can be made according to customers' requirements.

7-Actuator

TU slurry valve can be installed with different actuators. It can be handwheel, chain wheel, lever, worm gear. It also can be electric, pneumatic, electro-hydraulic, hydraulic. The company has designed a bracket head which can be used for different actuators to enable customers to use in different situations. Thus, it not only saves customer costs to buy spare parts, but also has flexibility and cost-saving.

(Chain wheel and worm gear can be installed with non-rising stem, but it shall be pointed out by customers.)



WEIZIDOM GROUP

Group headquarters : Central Plains E-Commerce Bulidling, Zhengzhou South City, China

Branch Factory: Shanghai,Tianjin, Hebei, Shandong, Wenzhou, lianyungang

Branch Company in Overseas:Tanzania,Zambia,Kenya in Africa

Manual (non-rising stem)

The manual operation is composed of following spare parts:

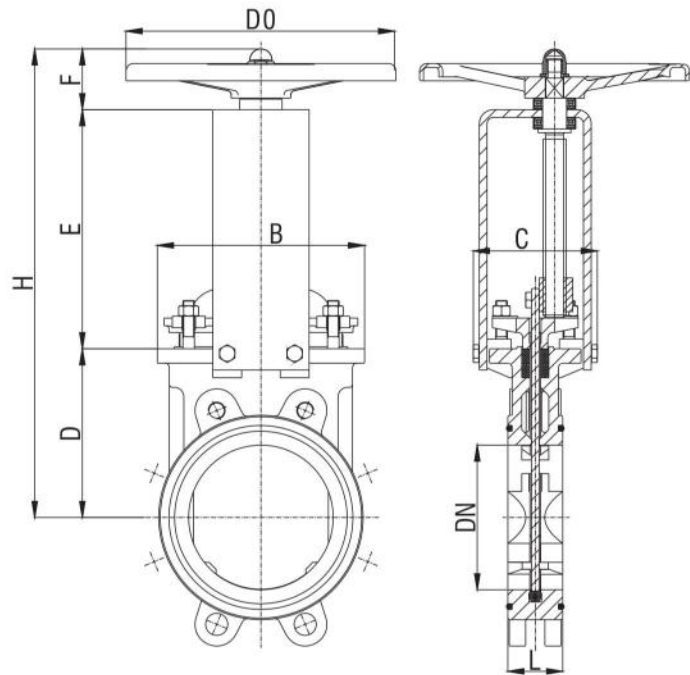
- Handwheel
- Stem
- Thrust bearing on the Yoke (it also can be composed of plastic pad plus copper sheet)
- Square stem nut

Spare parts for selection

- Locking device
- Extension stem

Model

7 10
 TUZ43X- 16
 10K Q.C.P.P.L.R.RL
 5 150Lb



DN	L	B	C	D	E	F	D0	H	Weight(Kg)
50	48	135	90	105	135	55	180	290	7
65	48	155	90	115	152	55	180	320	8
80	51	165	120	124	171	55	220	350	10
100	51	195	122	135	190	60	240	385	13
125	57	220	127	160	214	60	240	430	18
150	57	220	136	175	250	60	280	485	23
200	60	270	136	205	300	62	300	565	30
250	70	335	160	240	370	70	320	680	51
300	76	385	165	275	410	70	320	755	63
350	76	450	168	305	477	72	350	922	87
400	89	525	168	365	535	72	350	970	117
450	89	565	200	435	570	72	450	1120	147
500	114	630	240	475	680	95	450	1255	231
600	114	735	255	580	780	103	450	1460	318

WEIZIDOM GROUP

Group headquarters : Central Plains E-Commerce Bulidling, Zhengzhou South City, China

Branch Factory: Shanghai,Tianjin, Hebei, Shandong, Wenzhou, lianyungang

Branch Company in Overseas:Tanzania,Zambia,Kenya in Africa

Manual(Rising-Stem)

The manual operation is composed of following spare parts:

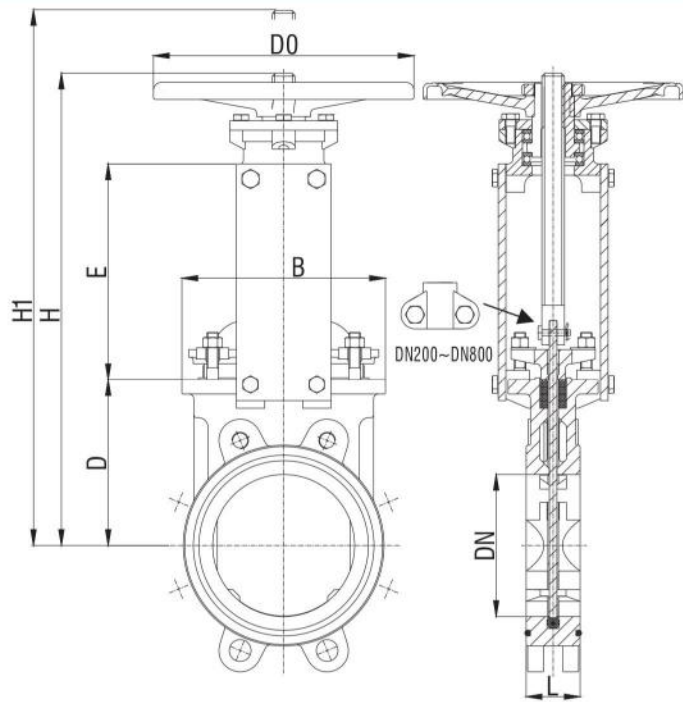
- Handwheel
- Stem
- Yoke Head
- Thrust bearing
- Stem nut
- Nut

Spare parts for selection

- Locking device
- Extension stem
- stem hood

Model

7 10
 TUZ43X-16 Q.C.P.PL.R.RL
 5 10K
 150Lb



DN	L	B	C	D	E	D0	H	H1	Weight(Kg)
50	48	135	90	105	119	180	295	360	8
65	48	155	90	115	135	180	335	415	10
80	51	165	120	124	150	220	360	455	13
100	51	195	122	135	180	240	400	515	16
125	57	220	127	160	203	240	455	595	21
150	57	220	136	175	235	280	510	675	26
200	60	270	136	205	280	320	585	805	33
250	70	335	160	240	347	320	695	965	54
300	76	385	165	275	395	320	765	1085	66
350	76	450	168	305	460	350	880	1250	91
400	89	525	168	365	530	350	995	1415	121
450	89	565	200	435	570	450	1150	1620	151
500	114	630	240	475	680	450	1250	1770	237
600	114	735	255	580	780	450	1460	2080	326

WEIZIDOM GROUP

Group headquarters : Central Plains E-Commerce Bulidling, Zhengzhou South City, China

Branch Factory: Shanghai,Tianjin, Hebei, Shandong, Wenzhou, lianyungang

Branch Company in Overseas:Tanzania,Zambia,Kenya in Africa

Chain wheel (Rising stem)

The chain wheel operation is composed of following spare parts:

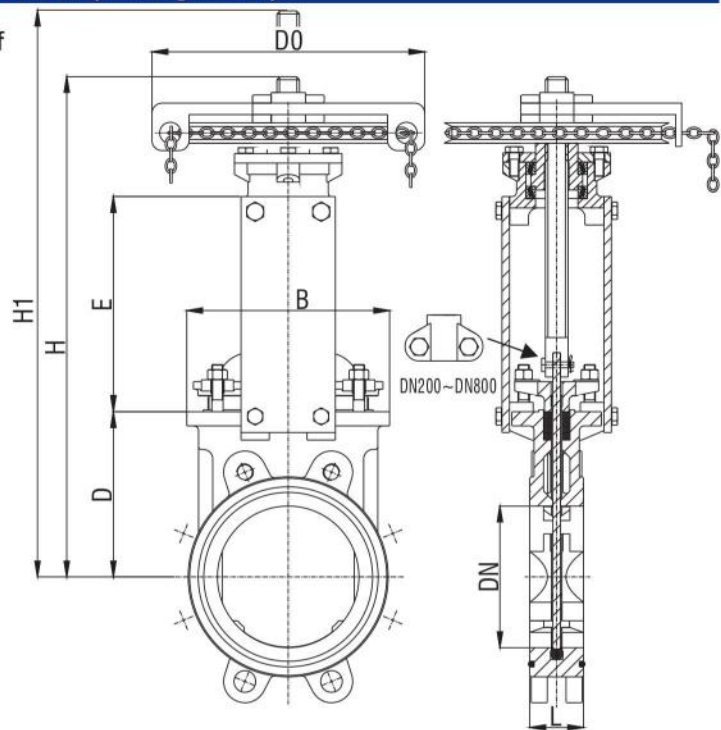
- Chain wheel
- Stem
- Yoke Head
- Taper
- bearing
- Stem nut

Spare parts for selection

- Locking device
- Extension stem
- Stem hood

Model

7 10
16
 TUZL43X- Q.C.P.PL.R.RL
5 10K
150Lb



DN	L	B	C	D	E	D0	H	H1	Weight(Kg)
50	48	135	90	105	119	180	345	410	8
65	48	155	90	115	135	180	385	465	10
80	51	165	120	124	150	220	410	505	13
100	51	195	122	135	180	240	450	565	16
125	57	220	127	160	203	240	505	645	21
150	57	220	136	175	235	280	560	725	26
200	60	270	136	205	280	320	635	855	33
250	70	335	160	240	347	320	745	1015	54
300	76	385	165	275	395	320	815	1135	66
350	76	450	168	305	460	350	930	1300	91
400	89	525	168	365	530	350	1045	1465	121
450	89	565	200	435	570	450	1200	1670	151
500	114	630	240	475	680	450	1300	1820	237
600	114	735	255	580	780	450	1510	2130	326

WEIZIDOM GROUP

Group headquarters : Central Plains E-Commerce Bulidling, Zhengzhou South City, China

Branch Factory: Shanghai,Tianjin, Hebei, Shandong, Wenzhou, lianyungang

Branch Company in Overseas:Tanzania,Zambia,Kenya in Africa

Lever operation

The lever operation is composed of following spare parts:

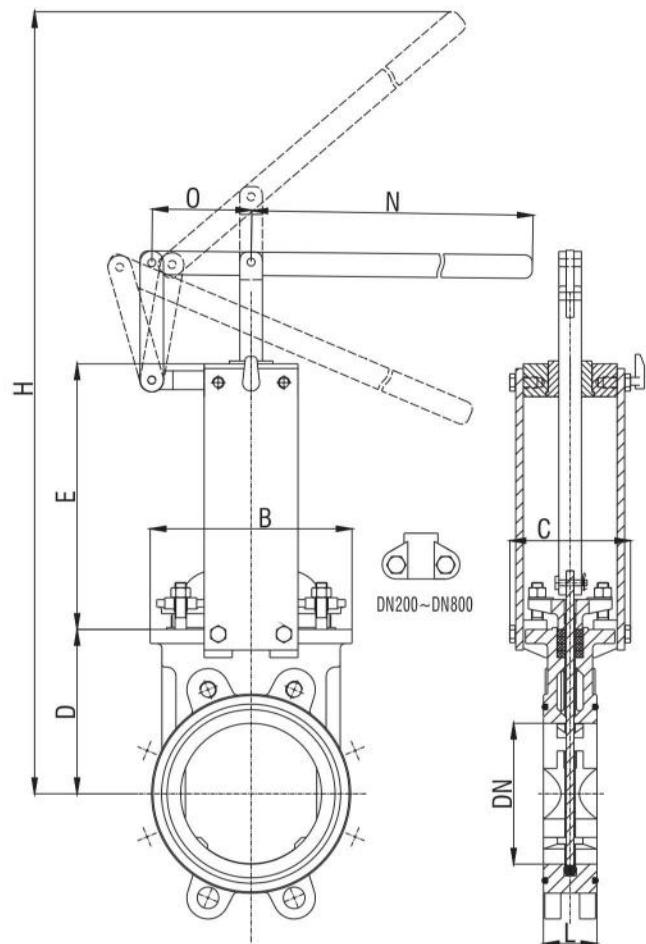
- Lever
- Stem
- Yoke Head
- Bearing
- Stem lock
- This is suitable for
DN50~DN300

Spare parts for selection

- Locking device
- Extension stem

Model

10	
7	16
TUZF43X-10K	Q.C.P.PL.R.RL
5	150Lb



DN	L	B	C	D	E	O	N	H	Weight(Kg)
50	48	135	90	105	119	155	325	505	9
65	48	155	90	115	135	155	325	525	10
80	51	165	120	124	150	155	325	550	13
100	51	195	122	135	180	155	325	605	16
125	57	220	127	160	203	155	425	905	21
150	57	220	136	175	235	155	425	955	26
200	60	270	136	205	280	290	620	1030	33

WEIZIDOM GROUP

Group headquarters : Central Plains E-Commerce Bulidling, Zhengzhou South City, China

Branch Factory: Shanghai,Tianjin, Hebei, Shandong, Wenzhou, lianyungang

Branch Company in Overseas:Tanzania,Zambia,Kenya in Africa

Worm gear (rising stem)

The worm gear operation is composed of following spare parts:

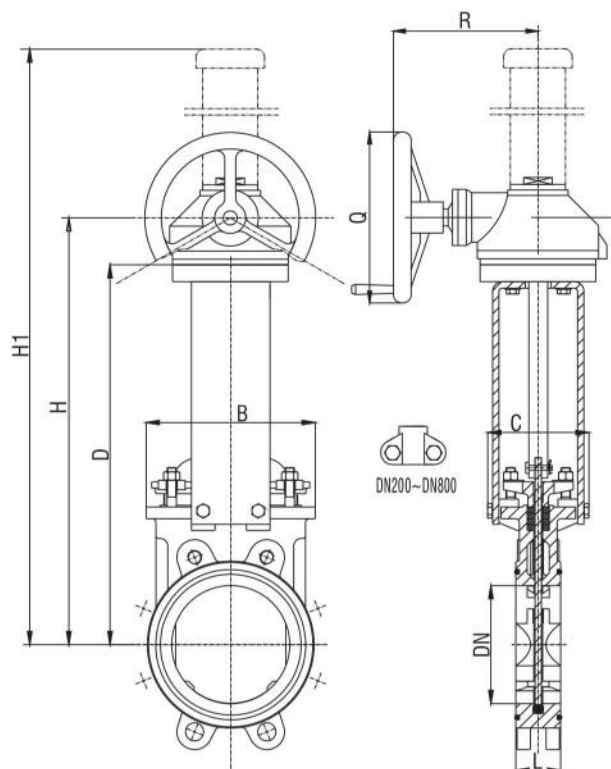
- Gear
- Stem
- Yoke Head
- Bearing
- Stem lock

Spare parts for selection

- Locking device
- Extension stem
- Chain wheel

Model

7 10
 TUZ543X- 16 Q.C.P.PL.R.RL
 5 10K
 150Lb



DN	L	B	C	D	Q	R	H	H1	Weight(Kg)
200	60	270	136	535	250	190	615	785	43
250	70	335	160	585	250	190	665	965	64
300	76	385	165	670	310	190	750	1100	77
350	76	450	168	765	310	225	835	1245	104
400	89	525	168	900	310	225	970	1440	134
450	89	565	200	1030	310	225	1100	1580	165
500	114	630	240	1130	310	260	1200	1770	237
600	114	735	255	1330	310	260	1410	2080	326
700	127	865	255	1590	310	260	1670	2390	520
800	127	980	255	1730	310	260	1935	2760	840
900	127	1065	255	2000	460	340	2100	3020	960
1000	149	1185	300	2195	460	340	2310	3330	1065
1200	156	1460	410	2760	530	415	2890	4120	2065
1600	160	1930	410	3600	600	490	3770	5400	4190

WEIZIDOM GROUP

Group headquarters : Central Plains E-Commerce Bulidling, Zhengzhou South City, China

Branch Factory: Shanghai,Tianjin, Hebei, Shandong, Wenzhou, lianyungang

Branch Company in Overseas:Tanzania,Zambia,Kenya in Africa

Pneumatic

The pneumatic operation is composed of following spare parts:

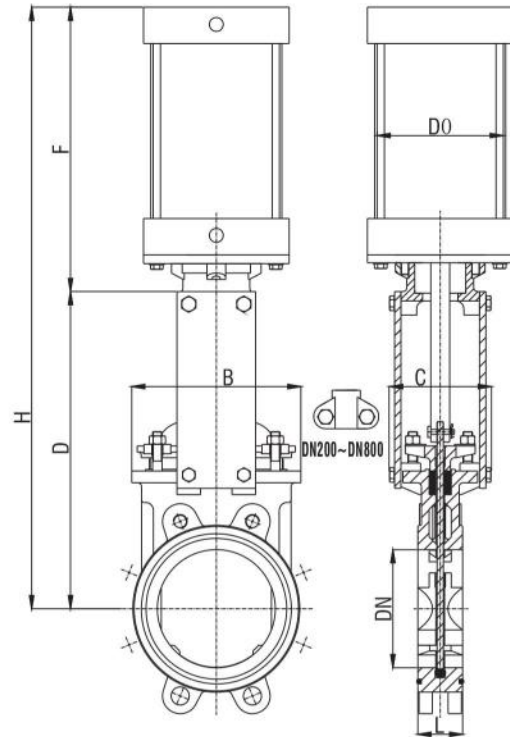
- Pneumatic cylinder
- Yoke Head

Spare parts for selection

- Protective hood
- Proximity switch
- Solenoid valve
- Air Filter
- Positioner

Model

7 10
 16
 TUZ543X-10K Q.C.P.PL.R.RL
 5 150Lb



DN	L	B	C	D	F	D0	H	Weight(Kg)
50	48	135	90	226	230	80	455	12
65	48	155	90	256	245	80	500	13
80	51	165	120	275	255	100	530	15
100	51	195	122	315	320	125	635	23
125	57	220	127	365	350	160	715	28
150	57	215	136	410	400	160	810	32
200	60	270	136	505	450	200	955	40
250	70	335	160	590	500	200	1090	96
300	76	385	165	670	555	200	1225	108
350	76	450	168	765	610	250	1375	136
400	89	525	168	895	660	250	1555	169
450	89	565	200	990	710	300	1700	235
500	114	630	240	1100	780	350	1880	357
600	114	735	255	1310	830	400	2140	466

WEIZIDOM GROUP

Group headquarters : Central Plains E-Commerce Bulidling, Zhengzhou South City, China

Branch Factory: Shanghai,Tianjin, Hebei, Shandong, Wenzhou, lianyungang

Branch Company in Overseas:Tanzania,Zambia,Kenya in Africa

Electric

The electric operation is composed of following spare parts:

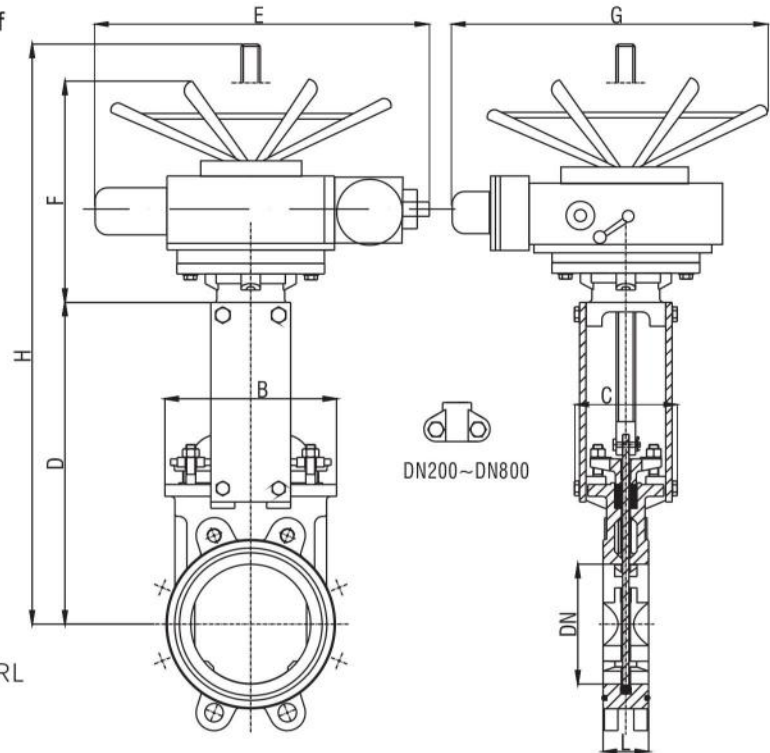
- Electric actuator
- Stem
- Yoke Head
- Stem Nut
- Bearing
- Stem lock

Spare parts for selection

- Locking device
- Extension stem
- Chain wheel

Model

7 10
TUZ943X-10K Q.C.P.PL.R.RL
5 150Lb



DN	L	B	C	D	E	F	G	H	Weight(Kg)
50	48	135	90	225	533	370	575	595	52
65	48	155	90	255	533	370	575	625	53
80	51	165	120	275	533	370	575	645	56
100	51	195	122	315	533	370	575	685	59
125	57	220	127	365	533	370	575	735	64
150	57	220	136	410	533	370	575	780	69
200	60	270	136	535	533	370	575	905	80
250	70	335	160	585	533	380	575	965	106
300	76	385	165	670	533	380	575	1095	118
350	76	450	168	765	533	385	575	1245	142
400	89	525	168	900	533	385	575	1430	175
450	89	565	200	1030	533	390	575	1615	215
500	114	630	240	1130	671	495	625	1770	346
600	114	735	255	1330	671	495	625	2070	442
700	127	865	255	1590	671	495	625	2430	606
800	127	980	255	1730	693	545	707	2685	801
900	127	1065	255	2000	693	545	707	3055	1049
1000	149	1185	300	2195	693	545	707	3360	1176
1200	150	1460	410	2760	794	705	771	4150	2100
1600	160	1930	410	3600	1475	860	975	5415	4320

WEIZIDOM GROUP

Group headquarters : Central Plains E-Commerce Bulidling, Zhengzhou South City, China

Branch Factory: Shanghai,Tianjin, Hebei, Shandong, Wenzhou, lianyungang

Branch Company in Overseas:Tanzania,Zambia,Kenya in Africa

Electro-hydraulic

The electro-hydraulic operation is composed of following spare parts:

- Hydraulic cylinder
- Oil pump
- Motor
- Yoke Head
- Limit switch
- Suitable for

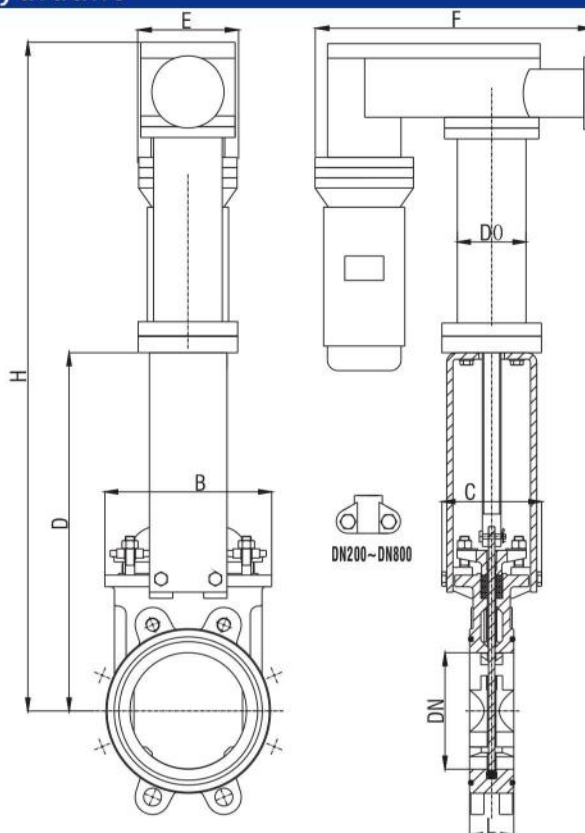
DN50~DN1000.

Spare parts for selection

- Control box can control remotely.
- Protective hood

Model

10
 7 16
 TUZ243X-10K Q.C.P.PL.R.RL
 5 150Lb



DN	L	B	C	D	E	F	D0	H	Weight(Kg)
50	48	135	90	225	185	310	50	775	38
65	48	155	90	255	185	310	50	805	40
80	51	165	120	275	185	310	50	825	45
100	51	195	122	315	185	310	50	865	1
125	57	220	127	365	185	310	63	915	61
150	57	220	136	410	185	410	63	970	71
200	60	270	136	535	185	410	70	1105	81
250	70	335	160	585	185	410	70	1165	104
300	76	385	165	670	200	410	80	1270	121
350	76	450	168	765	230	410	80	1375	149
400	89	525	168	900	230	410	100	1600	186
450	89	565	200	1030	230	410	100	1780	221
500	114	630	240	1130	230	410	125	1940	310
600	114	735	255	1330	250	500	140	2230	401

WEIZIDOM GROUP

Group headquarters : Central Plains E-Commerce Bulidling, Zhengzhou South City, China

Branch Factory: Shanghai,Tianjin, Hebei, Shandong, Wenzhou, lianyungang

Branch Company in Overseas:Tanzania,Zambia,Kenya in Africa

TB series uni-directional sealing slurry valve (non-rising stem)

TB series uni-directional sealing knife gate valve features the knife shaped gate bottom playing the role of cutting off the media. It is compact in structure, ultra-thin, easy in opening and closing, multi-functional and practical. Its various and changeable sealing seat has greatly improved the service life of the valve and facilitated the change and repair on site and is ideal choice for end users. With non-rising handwheel operation, when its gate opens, its stem will not rise, which greatly reduce the height of the valve, is suitable for using in places with limited room.

Suitable media:

It is suitable for media which has suspending solid particles not exceeding 5%. If the valve is used for solid media, it should be installed opposite to the flow direction of the media and the media shall flow from the side of sealing seat.

- Paper Industry
- Mining
- Silo emptying
- Chemical plants
- Pumping
- Food industry
- Sewage treatment
- Drying plants

Sizes: DN50~DN2000(larger sizes on request)

Working (ΔP):

DN50~DN250: 10Kg/cm²
 DN300~DN400: 6Kg/cm²
 DN450: 5Kg/cm²
 DN500~DN600: 4Kg/cm²
 DN700~DN1200: 2Kg/cm²

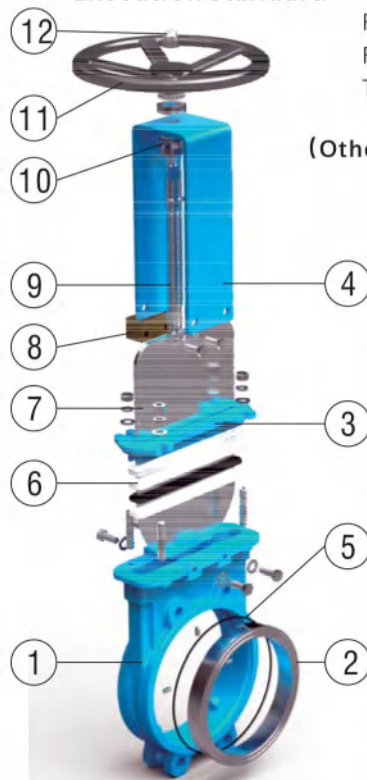
Static water pressure test:

Body test = working pressure x 1.5
 Seal test = working pressure x 1.1

Common flange standards: GB PN10、DIN PN10、ANSI B16.5 (class150)

Other flange standards: GB PN16、GB PN25、DIN PN16、DIN PN25
 BS "Table D" and "Table E"、ANSI150、JIS 10K

Execution standard: Design standard: JB/T8691-1998
 Face to face standard: GB/T15188.2-94(table 6~table 7)、MISS Sp81
 Flange standard: GB/T9113.1-2000
 Test and acceptance standard: GB/T13927



(Other execution standards shall be provided by customers or negotiated by both parties.)

Advantageous features:

Comparing with valves of same series, TB series knife gate valve has following advantages:
 1、Moveable seat can be changed and it can be made to be wear-resistant one with different hardness and materials according to different working conditions;
 2、Deeper packing has greatly improved the durability and sealing of packing.
 3、Easy opening and closing with nice appearance and excellent sealing performance.

STANDARD COMPONENTS LIST

COMPONENT	MATERIAL
1-Body	WCB, 304, 316, 316L
2-Seat Ring	WCB, 45#, 201, 304, 316(L)
3-Gland	WCB, 304, 316(L)
4-Yoke	Q235, 304, 316(L)
5-O ring	NBR, EPDM, Viton
6-Packing	PTFE, Graphite
7-Disc	2Cr13, 201, 304, 316(L)
8-Stem Nut	Brass
9-Stem	2Cr13, 201, 304, 316(L)
10-Bearing	GCr9
11-Handwheel	GGG40
12-Nut	201

-Underlined materials are recommended by the company. If customers have special requirements on materials, they shall notify the company.

WEIZIDOM GROUP

Group headquarters : Central Plains E-Commerce Bulidling, Zhengzhou South City, China

Branch Factory: Shanghai,Tianjin, Hebei, Shandong, Wenzhou, lianyungang

Branch Company in Overseas:Tanzania,Zambia,Kenya in Africa

TB series uni-directional sealing slurry valve (rising stem)

TB series uni-directional sealing knife gate valve features the knife shaped gate bottom playing the role of cutting off the media. It is compact in structure, ultra-thin, easy in opening and closing, multi-functional and practical. Its various and changeable sealing seat has greatly improved the service life of the valve and facilitated the change and repair on site and is ideal choice for end users. With rising handwheel operation, its stem will rise with the opening of the gate, which helps to know the opening status of the gate by observing the rising of the stem.

Suitable media:

It is suitable for media which has suspending solid particles not exceeding 5%. If the valve is used for solid media, it should be installed opposite to the flow direction of the media and the media shall flow from the side of sealing seat.

- Paper Industry -Mining -Silo emptying
- Chemical plants -Pumping -Food industry
- Sewage treatment -Drying plants

Sizes:DN50~DN2000(larger sizes on request)

Working (ΔP):

- DN50~DN250: 10Kg/cm²
- DN300~DN400: 6Kg/cm²
- DN450: 5Kg/cm²
- DN500~DN600: 4Kg/cm²
- DN700~DN1200: 2Kg/cm²

Static water pressure test:

- Body test = working pressure x 1.5
- Seal test = working pressure x 1.1

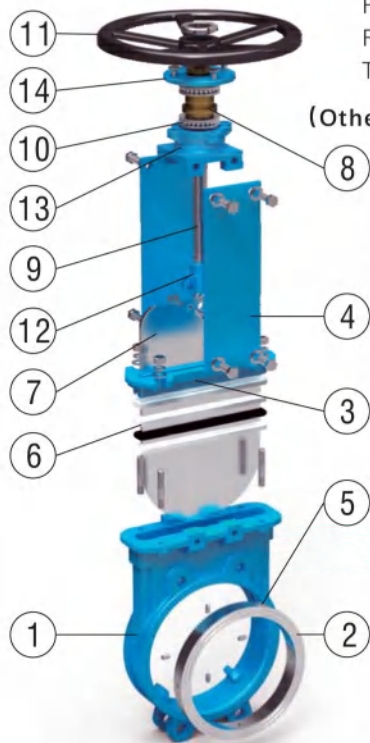
Common flange standards: GB PN10、DIN PN10、ANSI B16.5 (class150)

Other flange standards: GB PN16、GB PN25、DIN PN16、DIN PN25
BS"Table D"and Table E"、ANSI150、JIS 10K

Execution standard:

- Design standard: JB/T8691-1998
- Face to face standard: GB/T15188.2-94(table 6~table 7)、MISS Sp81
- Flange standard: GB/T9113.1-2000
- Test and acceptance standard: GB/T13927

(Other execution standards shall be provided by customers or negotiated by both parties.)



Advantageous features:
Comparing with valves of same series, TB series knife gate valve has following advantages:
1、Moveable seat can be changed and it can be made to be wear-resistant one with different hardness and materials according to different working conditions;
2、Deeper packing has greatly improved the durability and sealing of packing.
3、Easy opening and closing with nice appearance and excellent sealing performance.

STANDARD COMPONENTS LIST

COMPONENT	MATERIAL
1-Body	WCB, 304, 316(L)
2-Seat Ring	WCB, 45#, 201, 304, 316 (L)
3-Gland	WCB, 304, 316(L)
4-Yoke	Q235, 304, 316(L)
5-O ring	NBR, EPDM
6-Packing	PTFE, Graphite
7-Disc	2Cr13, 201, 304, 316(L)
8-Stem Nut	Brass
9-Stem	2Cr13, 201, 304, 316(L)
10-Bearing	GCr9
11-Handwheel	GGG40
12-Clamp	WCB
13-Yoke Head	WCB
14-Flanker	WCB

- Underlined materials are recommended by the company. If customers have special requirements on materials, they shall notify the company.

WEIZIDOM GROUP

Group headquarters : Central Plains E-Commerce Bulidling, Zhengzhou South City, China

Branch Factory: Shanghai,Tianjin, Hebei, Shandong, Wenzhou, lianyungang

Branch Company in Overseas:Tanzania,Zambia,Kenya in Africa

Description on main parts and structural principle

1-BODY

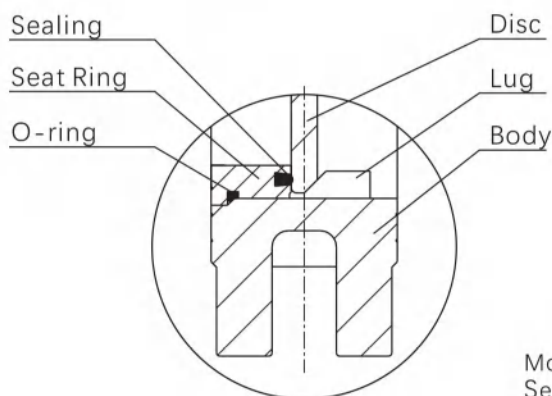
The valve body is designed uni-directional sealing and adopts one piece casting technique. Full bore design enables the media to flow the valve in low differential pressure without flow resistance. The enlarging cavity design makes no blocking in seat. The mold of the valve body can be used for different sizes and multiple assembling are suitable for pipelines of different work conditions and media. The company can manufacture wafer and plum blossom shape (flange connection) in terms of the shape of the valve body.

2-DISC

The gate is processed with mirror surface technique, which makes the friction between packing and smooth gate decrease significantly at the back seat, making gate open easier and packing not easy to be worn and more durable. In the inner sealing, the edge of gate is smoother and the friction between it and seat sealing strip decrease significantly, making the gate more labor saving, easier, more flexible during the opening and increase the wear resistance of the seat sealing strip and increase service life of sealing. Generally, the gate is SS304, but it can be changed or hardened according to customers' requirements. The hardening treatment enables the gate more wear resistant.

3-SEAT

The sealing principle of TB uni-directional sealing knife gate valve mainly depends on flat sealing which is combined by gate surface and seat sealing surface. The seat is made of different materials such as carbon steel, 45# steel, 201, 304, 316(L), polyurethane, ceramic ring. It can be hardened which enables the gate more wear resistant according to customers' requirements. The sealing structure is divided into hard sealing and soft sealing. The latter is composed by the lined rubber ring of the seat, whose surface can be NBR, EPDM, PTFE, Viton.



Seat sealing structure



Structural diversity

Moveable Seat: WCB、45#、201、304、316(L)、Ceramic、PU
Sealing: NBR、EPDM、PTFE、Viton

Advantages:

According to customers' feedbacks, we acknowledge that the most vulnerable positions worn by media are seat and gate during the valve's service. Sealing failure caused by seat abrasion may leads to the useless of the whole valve. We have adopted moveable seat structure designs which have following advantages; first, we not only adopt metal abrasion-resistant valve seats, but also non-metal ones, such as polyurethane and ceramic rings to satisfy media conditions; second, metal seat and gate are hardened to improve their hardness; third, the valve seat can be replaced easily, for it is a separate common spare part and can be replaced on the site if it is damaged, which is very convenient and economic. Easy replacement of the valve seat can enable valves to be used for many times, which saves unnecessary waste. A guide funnel is installed on the vertical pipes enables the sealing face not to be worn by the media when the valve is closed and extends its operating life. Our valve structure is composed of durability and reliability; moreover, sealing structure of our valves is opened and closed easily and the valve gate has mirror effect.

Manual (non-rising stem)

The manual operation is composed of following spare parts:

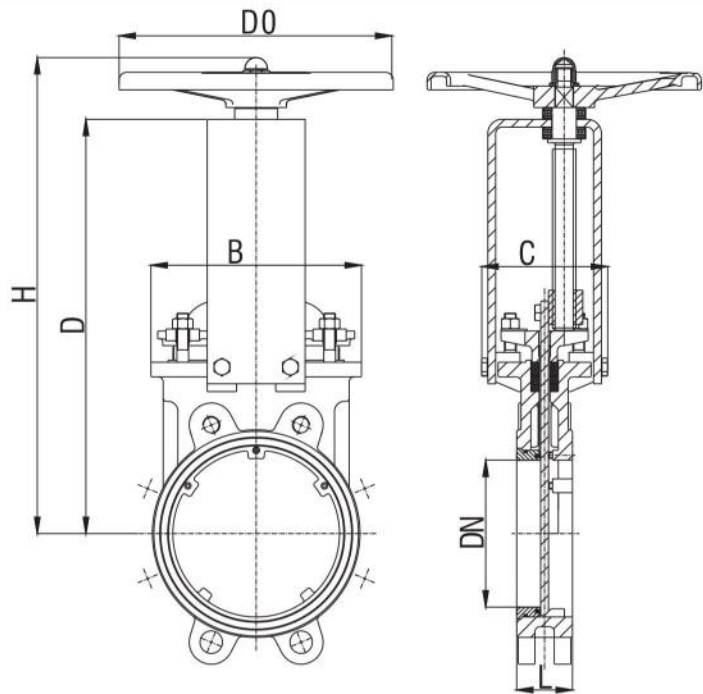
- Handwheel
- Stem
- Bearing(it also can be composed of plastic pad plus copper sheet)
- Stem Nut

Spare parts for selection

- Locking device
- Extension stem

Model

7
10
16
10K
Q.C.P.PL.R.RL
5
150Lb



DN	L	B	C	D	D0	H	Weight(kg)
50	48	135	90	230	180	285	8
65	48	155	90	255	180	305	9
80	51	165	120	275	220	350	10
100	51	195	122	320	240	380	12
125	57	220	127	365	240	425	17
150	57	220	136	425	280	490	22
200	70	270	136	505	300	575	32
250	70	335	160	600	320	675	49
300	76	385	165	670	320	755	59
350	76	450	168	795	350	875	82
400	89	525	168	890	350	970	107
450	89	565	200	1015	450	1120	155
500	114	630	240	1155	450	1200	211
600	114	735	255	1360	450	1430	304

DESIGN CHARACTERISTICS

4-PACKING

The packing of TB slurry valve adopts deepening design which makes the depth of the packing bigger and sealing elasticity stronger and improves the sealing of back seat, making it not prone to be leaked. Generally, we adopt PTFE plus one layer of O ring wear-resistant rubber strip in packing, which increases the elasticity of the packing and the gland does not need to be pressed completely to seal and changeable elasticity makes the packing compensable during the use and increase its durability. We can change packing materials according to customers' requirements.

Asbestos

common material and its temperature resistance not higher than 50°C. Its sealing is not good and is not used widely as well. It is mainly used for valves do not need high requirements of sealing.

PTFE

wear-resistant, corrosion-resistant and its temperature resistance can reach 240°C. It is used widely and is our normally used material.

Graphite

high temperature resistant with highest temperature 600°C. It is used in high temperature environment.

(Note: Except valves with graphite packing and ceramic fiber packing, valves with other packing will be added another O ring rubber to increase their elasticity.)

5-STEM

The valve stem of TB slurry valve is made of wear-resistance stainless steel 2Cr13. It can be made in different materials according to customers' requirements. Its structure is rising and non-rising and normally we select the latter. If customers choose rising stem, please notify us in advance. The stem is a wearing part, so it needs to be protected with hood if the valve is used in a dusty environment and needs to be lubricated with grease regularly.

6-GLAND

When the packing gland is used, its bolts to be tightened to ensure the gland pressed evenly and the packing can seal the valve body completely. Normally, the valve body is iron cast, ductile iron, cast steel and the gland selects cast steel. If the valve body is stainless steel and the gland will be in stainless steel as well. It can be made according to customers' requirements.

7-ACTUATOR

TB slurry valve can be installed with different actuators. It can be handwheel, chain wheel, lever, worm gear. It also can be electric, pneumatic, electro-hydraulic, hydraulic. The company has designed a bracket head which can be used for different actuators to enable customers to use in different situations. Thus, it not only saves customer costs to buy spare parts, but also has flexibility and cost-saving.

(Chain wheel and worm gear can be installed with non-rising stem, but it shall be pointed out by customers.)



WEIZIDOM GROUP

Group headquarters : Central Plains E-Commerce Bulidling, Zhengzhou South City, China

Branch Factory: Shanghai,Tianjin, Hebei, Shandong, Wenzhou, lianyungang

Branch Company in Overseas:Tanzania,Zambia,Kenya in Africa

Chain wheel (Rising stem)

The chain wheel operation is composed of following spare parts:

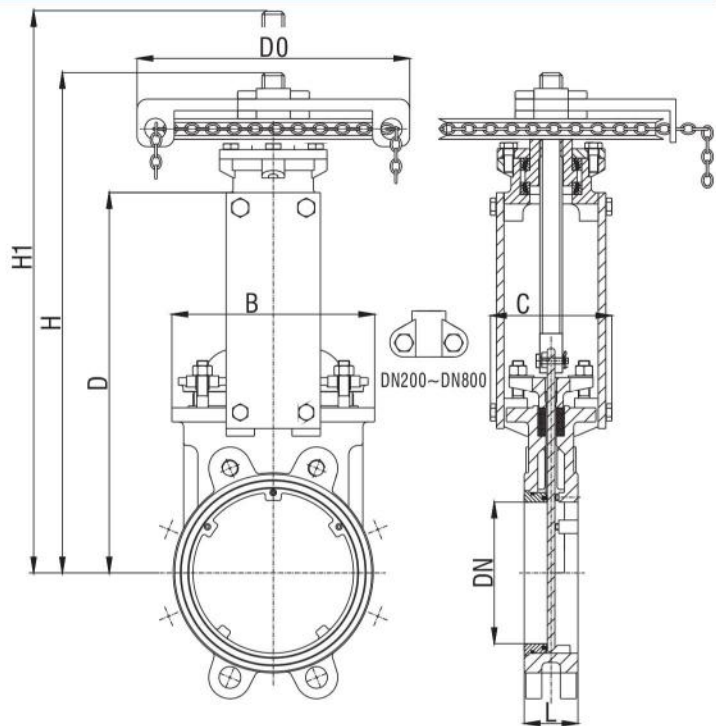
- Chain wheel
- Stem
- Yoke Head
- Bearing
- Stem Nut

Spare parts for selection

- Locking device
- Extension stem
- Stem hood

Model

7 10
 TBZL43X- 16 Q.C.P.P.L.R.RL
5 10K
 150Lb



DN	L	B	C	D	D0	H	H1	Weight(kg)
50	48	135	90	230	180	360	425	9
65	48	155	90	255	180	390	470	10
80	51	165	120	275	220	410	505	13
100	51	195	122	320	240	450	565	16
125	57	220	127	365	240	505	65	21
150	57	220	136	425	280	565	730	26
200	70	270	136	505	320	650	870	33
250	70	335	160	600	320	760	1030	54
300	76	385	165	670	320	815	1135	66
350	76	450	168	795	350	960	1330	91
400	89	525	168	890	350	1070	1490	121
450	89	565	200	1015	450	1180	1650	151
500	114	630	240	1155	450	1300	1820	237
600	114	735	255	1360	450	1530	2150	326

WEIZIDOM GROUP

Group headquarters : Central Plains E-Commerce Bulidling, Zhengzhou South City, China

Branch Factory: Shanghai,Tianjin, Hebei, Shandong, Wenzhou, lianyungang

Branch Company in Overseas:Tanzania,Zambia,Kenya in Africa

Manual (Rising stem)

The manual operation is composed of following spare parts:

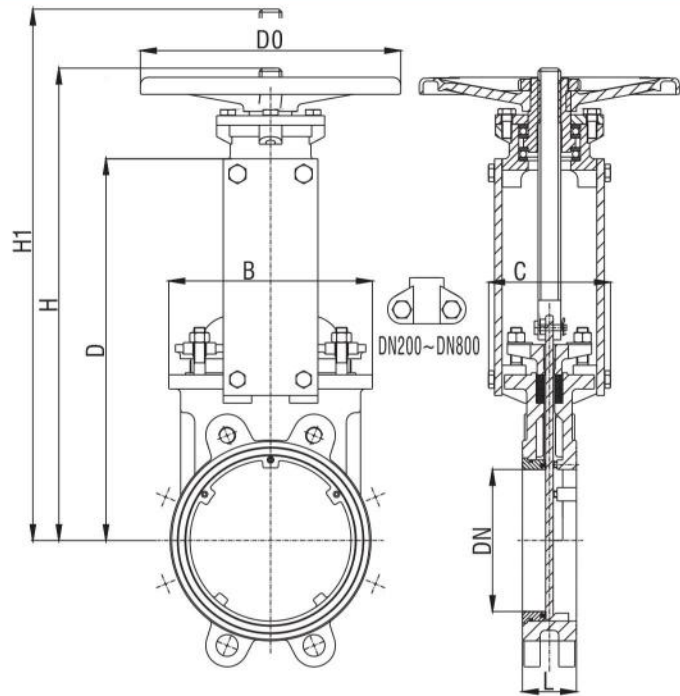
- Handwheel
- Stem
- Yoke Head
- Bearing
- Stem Nut
- Nut

Spare parts for selection

- Locking device
- Extension stem
- Stem hood

Model

10
 7 16
 TBZ43X- 10K Q.C.P.PL.R.RL
 5 150Lb



DN	L	B	C	D	D0	H	H1	Weight(Kg)
50	48	135	90	230	180	310	375	9
65	48	155	90	260	180	340	420	10
80	51	165	120	275	220	360	45	13
100	51	195	122	320	240	400	515	15
125	57	220	127	365	240	455	595	20
150	57	220	136	425	280	515	680	24.5
200	70	280	136	525	320	600	820	35
250	70	335	160	600	320	710	980	52
300	76	400	165	670	320	765	1085	62
350	76	450	168	795	350	910	1280	86
400	89	515	168	890	350	1020	1440	111
450	89	590	200	1010	450	1130	1600	159
500	114	650	240	1100	450	1250	1770	217
600	114	735	255	1310	450	1480	2100	312

WEIZIDOM GROUP

Group headquarters : Central Plains E-Commerce Bulidling, Zhengzhou South City, China

Branch Factory: Shanghai,Tianjin, Hebei, Shandong, Wenzhou, lianyungang

Branch Company in Overseas:Tanzania,Zambia,Kenya in Africa

Lever operation

The lever operation is composed of following spare parts:

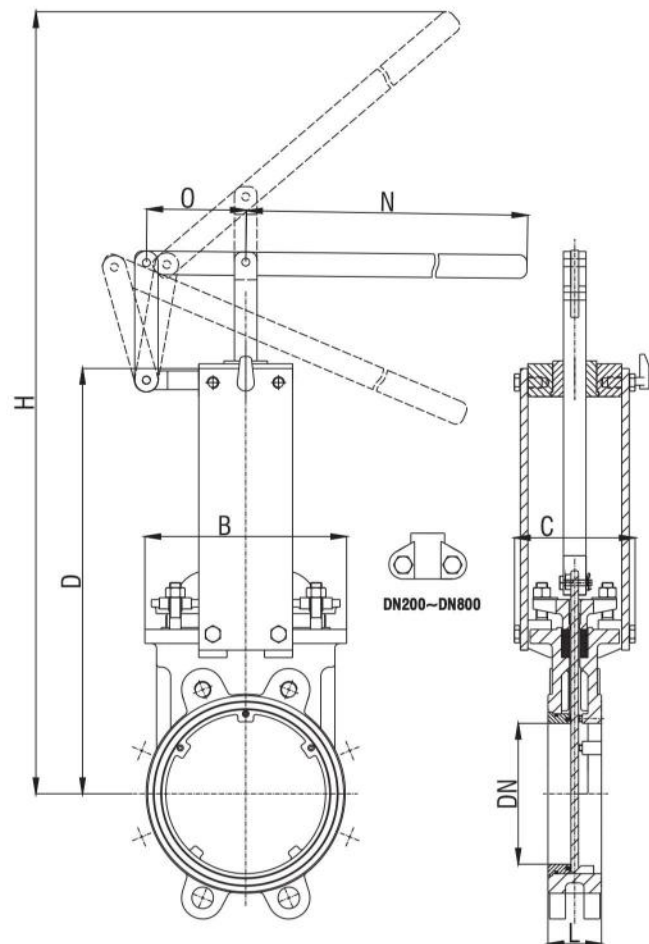
- Lever
- Stem
- Yoke Head
- Shaft Sleeve
- Stem lock
- This is suitable for DN50~DN300

Spare parts for selection

- Locking device
- Extension stem

Model

7 10
 16
 TBZF43X-10K Q.C.P.PL.R.RL
 5 150Lb



DN	L	B	C	D	O	N	H	Weight(Kg)
50	48	135	90	225	155	325	505	9
65	48	155	90	250	155	325	525	10
80	51	165	120	275	155	325	550	13
100	51	195	122	315	155	325	605	16
125	57	225	127	365	155	425	905	21
150	57	250	136	410	155	425	955	26
200	70	280	136	485	290	620	1030	33

WEIZIDOM GROUP

Group headquarters : Central Plains E-Commerce Bulidling, Zhengzhou South City, China

Branch Factory: Shanghai,Tianjin, Hebei, Shandong, Wenzhou, lianyungang

Branch Company in Overseas:Tanzania,Zambia,Kenya in Africa

GEAR (rising stem)

The worm gear operation is composed of following spare parts:

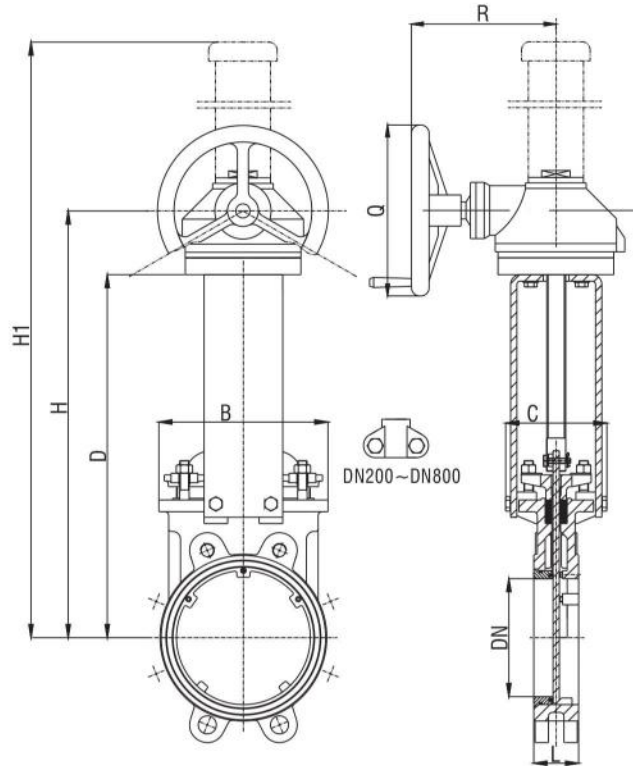
- Gear
- Stem
- Yoke Head
- Bearing
- Stem lock

Spare parts for selection

- Locking device
- Extension stem
- Chain wheel

Model

7 10
 TBZ543X- 16 Q.C.P.P.L.R.RL
 5 10K
 150Lb



DN	L	B	C	D	Q	R	H	H1	Weight(kg)
200	70	280	136	535	250	190	615	785	45
250	70	335	160	585	250	190	665	965	62
300	76	400	165	670	310	190	750	1100	73
350	76	450	168	765	310	225	835	1245	99
400	89	515	168	900	310	225	970	1440	124
450	89	590	200	1030	310	225	1100	1580	173
500	114	650	240	1130	310	260	1200	1770	231
600	114	735	255	1330	310	260	1410	2080	344
700	127	865	255	1590	310	260	1670	2390	477
800	127	980	255	1730	310	260	1935	2760	585
900	127	1065	255	2000	460	340	2100	3020	735
1000	149	1185	300	2195	460	340	2310	3330	1100
1200	156	1460	410	2760	530	415	2890	4120	1980

WEIZIDOM GROUP

Group headquarters : Central Plains E-Commerce Bulidling, Zhengzhou South City, China

Branch Factory: Shanghai,Tianjin, Hebei, Shandong, Wenzhou, lianyungang

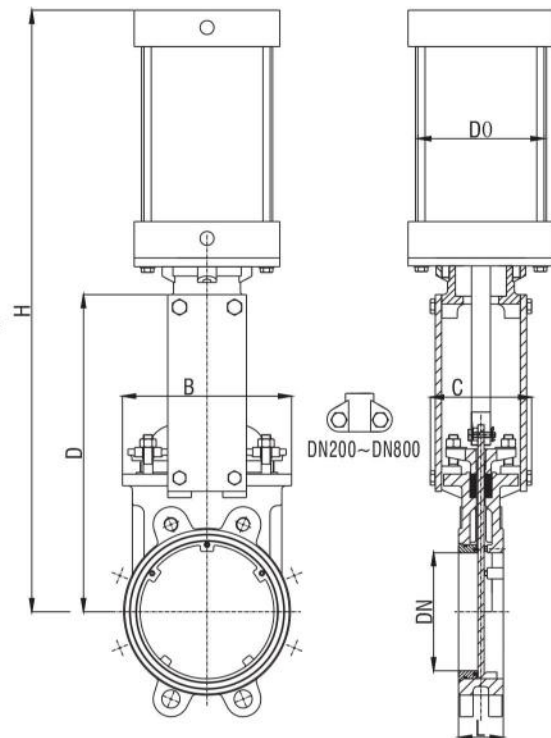
Branch Company in Overseas:Tanzania,Zambia,Kenya in Africa

DOUBLE-ACTING PNEUMATIC CYLINDER

- 1、 Double-acting pneumatic actuators are designed to work at a pressure between 6 and 10 kg/cm²
10 Kg/cm² is the maximum admissible air pressure.
- 2、 For air pressures below 6 Kg/cm², please check with the manufacturer.
- 3、 For DN50 to DN200 valves, the cylinder's jacket and covers are made of aluminium, the rod of 45# steel plated with hard chromium Harding,the piston of rubber-coated steel and the O-ring seals are made of nitrile.
- 4、 For valves larger than DN200 the covers are made of nodular cast iron or carbon steel.
- 5、 On request, we can also supply the Actuator made entirely of stainless steel, especially for installation in corrosive atmospheres.

Model

7 10
 16
 TBZ543X- Q.C.P.P.L.R.RL
 10K
 5 150Lb



DN	L	B	C	D	F	D0	H	Weight(Kg)
50	48	135	90	232	230	80	460	15
65	48	155	90	261	245	100	510	16
80	51	165	120	276	255	100	530	17
100	51	195	122	320	320	100	635	30
125	57	225	127	367	350	125	720	35
150	57	250	136	425	400	125	810	38
200	70	280	136	525	450	160	975	47
250	70	335	160	603	500	200	1095	138
300	76	400	165	670	555	200	1225	150
350	76	450	168	795	610	250	1375	181
400	89	515	168	890	660	250	1555	217
450	89	590	200	1000	710	300	1685	319
500	114	650	240	1100	780	300	1825	337
600	114	735	255	1310	830	300	2090	452

WEIZIDOM GROUP

Group headquarters : Central Plains E-Commerce Bulidling, Zhengzhou South City, China

Branch Factory: Shanghai,Tianjin, Hebei, Shandong, Wenzhou, lianyungang

Branch Company in Overseas:Tanzania,Zambia,Kenya in Africa

ELECTRIC ACTUATOR

The electric operation is composed of following spare parts:

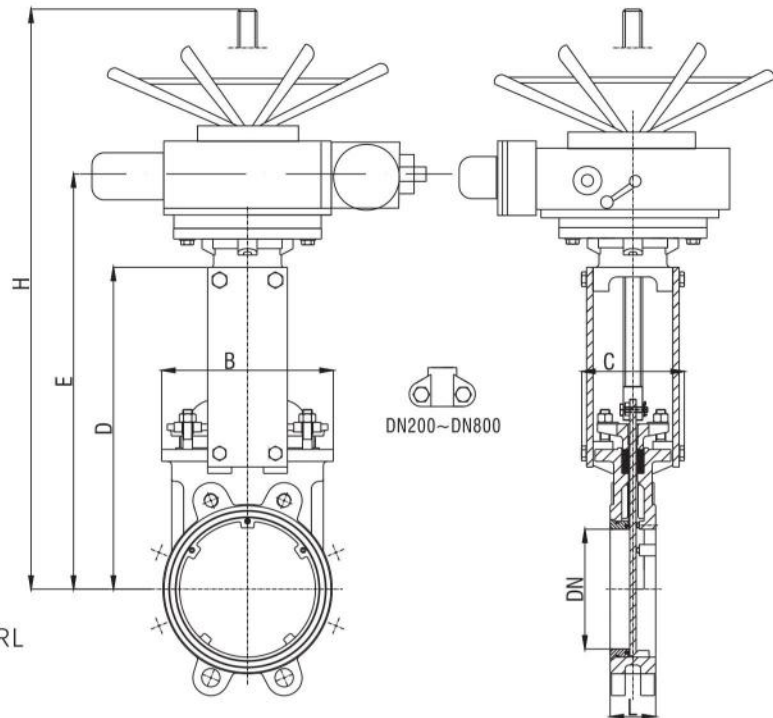
- Electric actuator
- Stem
- Yoke Head
- Stem Nut
- Bearing

Spare parts for selection

- Locking device
- Extension stem
- Chain wheel

Model

7 10
 16
 TBZ943X-10K Q.C.P.PL.R.RL
 5 150Lb



DN	L	B	C	D	E	F	G	H	Weight(Kg)
50	48	135	90	230	533	370	575	595	52
65	48	155	90	260	533	370	575	625	53
80	51	165	120	275	533	370	575	645	56
100	51	195	122	320	533	370	575	685	58
125	57	225	127	370	533	370	575	735	63
150	57	250	136	425	533	370	575	780	68
200	70	280	136	555	533	370	575	905	82
250	70	335	160	600	533	380	575	965	104
300	76	400	165	670	533	380	575	1095	114
350	76	450	168	795	533	385	575	1245	137
400	89	515	168	895	533	385	575	1430	165
450	89	550	200	1040	533	390	575	1615	215
500	114	650	240	1130	671	495	625	1770	326
600	114	735	255	1330	671	495	625	2070	428
700	127	865	255	1590	671	495	625	2430	563
800	127	980	255	1730	693	545	710	2685	746
900	127	1065	255	2000	693	545	710	3055	824
1000	149	1185	300	2195	693	545	710	3360	1111
1200	156	1460	410	2760	794	705	770	4150	2015

WEIZIDOM GROUP

Group headquarters : Central Plains E-Commerce Bulidling, Zhengzhou South City, China

Branch Factory: Shanghai,Tianjin, Hebei, Shandong, Wenzhou, lianyungang

Branch Company in Overseas:Tanzania,Zambia,Kenya in Africa

ELECTRO-HYDRAULIC ACTUATOR

The electro-hydraulic operation is composed of following spare parts

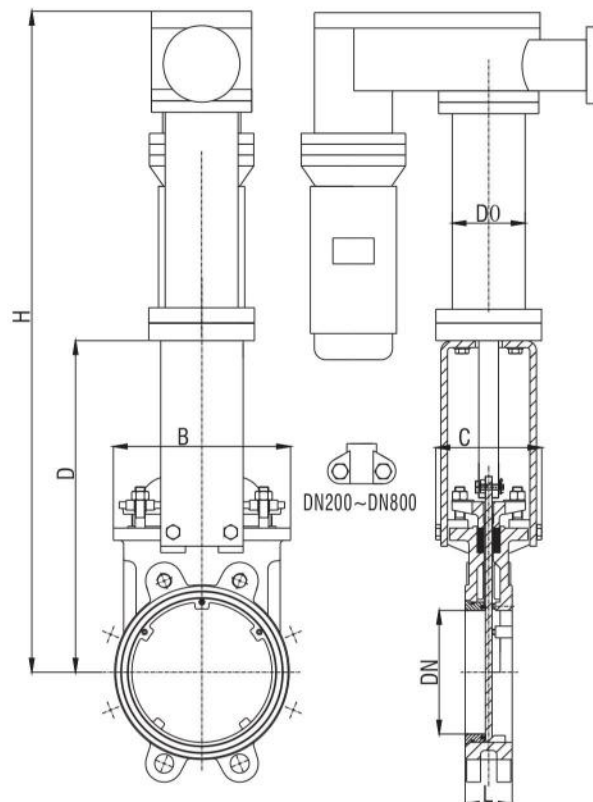
- Hydraulic cylinder
- Oil pump
- Motor
- Yoke head
- Limit switch
- Suitable for DN50 ~ DN1000

Spare parts for selection

- Control box can control remotely
- Protective hood

Model

7 10
 16
 TBZ243X- 10K Q.C.P.PL.R.RL
 5 150Lb



DN	L	B	C	D	E	F	D0	H	Weight(Kg)
50	48	135	90	225	185	310	50	775	38
65	48	155	90	255	185	310	50	805	40
80	51	165	120	275	185	310	50	825	45
100	51	195	122	315	185	310	50	865	50
125	57	225	127	365	185	310	63	915	60
150	57	250	136	410	185	410	63	970	70
200	70	280	136	535	185	410	70	1105	83
250	70	335	160	585	185	410	70	1165	102
300	76	400	165	670	200	410	80	1270	117
350	76	450	168	765	230	410	80	1375	149
400	89	515	168	900	230	410	100	1600	176
450	89	590	200	1030	230	410	100	1780	221
500	114	650	240	1130	230	410	125	1940	290
600	114	735	255	1330	250	500	140	2230	387
700	127	865	255	1590	250	500	160	2610	514
800	127	980	255	1730	300	550	160	2950	627
900	127	1065	255	2000	300	550	180	3320	768
1000	149	1185	300	2195	300	550	180	3620	1145

WEIZIDOM GROUP

Group headquarters : Central Plains E-Commerce Bulidling, Zhengzhou South City, China

Branch Factory: Shanghai,Tianjin, Hebei, Shandong, Wenzhou, lianyungang

Branch Company in Overseas:Tanzania,Zambia,Kenya in Africa

TB Series Bi-directional Sealing Knife Gate Valve (non-rising stem)

TB Series Bi-directional Sealing Knife Gate Valve is our newly developed product designing for abrasion-resistant pipeline. No grooves structure in the valve bottom is composed of two full bore moveable valve seats and rubber sealing strip with easy installation. The valve seats can be easily replaced and can change into different abrasion-resistant materials to satisfy different media demands, which greatly improve the valve's operating life and create conditions for easy replacement and repair on the site. As this technology is appraised as advanced in China, this product is an ideal choice for end users. With non-rising handwheel operation, when its gate opens, its stem will not rise, which greatly reduce the height of the valve, is suitable for using in places with limited room.

Suitable media:

It is suitable for media which has suspending solid particles not exceeding 5%. If the valve is used for solid media, it should be installed opposite to the flow direction of the media and the media shall flow from the side of sealing seat.

- Paper Industry -Mining -Silo emptying
- Chemical plants -Pumping -Food industry
- Sewage treatment -Drying plants

Sizes: DN50~DN600 (larger sizes on request)

Working (ΔP): DN50~DN250: 10Kg/cm²
 DN300~DN400: 6Kg/cm²
 DN450: 5Kg/cm²
 DN500~DN600: 4Kg/cm²
 DN700~DN1200: 2Kg/cm²

Static water pressure test:

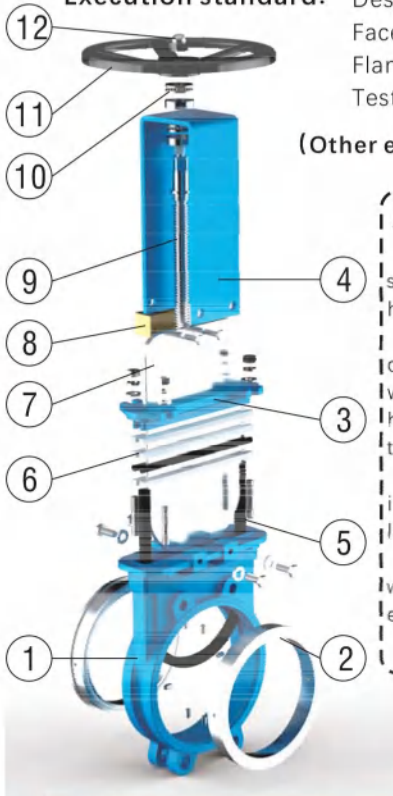
Body test = working pressure x 1.5
 Seal test = working pressure x 1.1

Common flange standards: GB PN10、DIN PN10、ANSI B16.5 (class150)

Other flange standards: GB PN16、GB PN25、DIN PN16、DIN PN25
 BS"Table D"and Table E"、ANSI150、JIS 10K

Execution standard: Design standard: JB/T8691-1998
 Face to face standard: GB/T15188.2-94(table 6~table 7)、MISS Sp1
 Flange standard: GB/T9113.1-2000
 Test and acceptance standard: GB/T13927

(Other execution standards shall be provided by customers or negotiated by both parties.)



Advantageous features:

Comparing with valves of same series, TB series knife gate valve has following advantages:

- 1、Moveable seat can be changed and it can be made to be wear-resistant one with different hardness and materials according to different working conditions;
- 2、Deeper packing has greatly improved the durability and sealing of packing.
- 3、Easy opening and closing with nice appearance and excellent sealing performance.

STANDARD COMPONENTS LIST

COMPONENT	MATERIAL
1-Body	WCB, 304, 316, 316L
2-Seat Ring	WCB, 45#, 201, 304, 316(L)
3-Gland	WCB, 304, 316(L)
4-Yoke	Q235, 304, 316(L)
5-O ring	NBR, EPDM, Viton
6-Packing	PTFE, Graphite
7-Disc	2Cr13, 201, 304, 316(L)
8-Stem Nut	Brass
9-Stem	2Cr13, 201, 304, 316(L)
10-Bearing	GCr9
11-Handwheel	GGG40
12-Nut	201

-Underlined materials are recommended by the company. If customers have special requirements on materials, they shall notify the company.

WEIZIDOM GROUP

Group headquarters : Central Plains E-Commerce Bulidling, Zhengzhou South City, China

Branch Factory: Shanghai,Tianjin, Hebei, Shandong, Wenzhou, lianyungang

Branch Company in Overseas:Tanzania,Zambia,Kenya in Africa

TB series bi-directional sealing slurry valve (rising stem)

TB Series Bi-directional Sealing Knife Gate Valve is our newly developed product designing for abrasion-resistant pipeline. No grooves structure in the valve bottom is composed of two full bore moveable valve seats and rubber sealing strip with easy installation. The valve seats can be easily replaced and can change into different abrasion-resistant materials to satisfy different media demands, which greatly improve the valve's operating life and create conditions for easy replacement and repair on the site. As this technology is appraised as advanced in China, this product is an ideal choice for end users. With rising handwheel operation, its stem will rise with the opening of the gate, which helps to know the opening status of the gate through the top of the stem.

Suitable media:

It is suitable for media which has suspending solid particles not exceeding 5%. If the valve is used for solid media, it should be installed opposite to the flow direction of the media and the media shall flow from the side of sealing seat.

- Paper Industry -Mining -Silo emptying
- Chemical plants -Pumping -Food industry
- Sewage treatment -Drying plants

Sizes: DN50~DN2000 (larger sizes on request)

Working (ΔP): DN50~DN250: 10Kg/cm²
 DN300~DN400: 6Kg/cm²
 DN450: 5Kg/cm²
 DN500~DN600: 4Kg/cm²
 DN700~DN1200: 2Kg/cm²

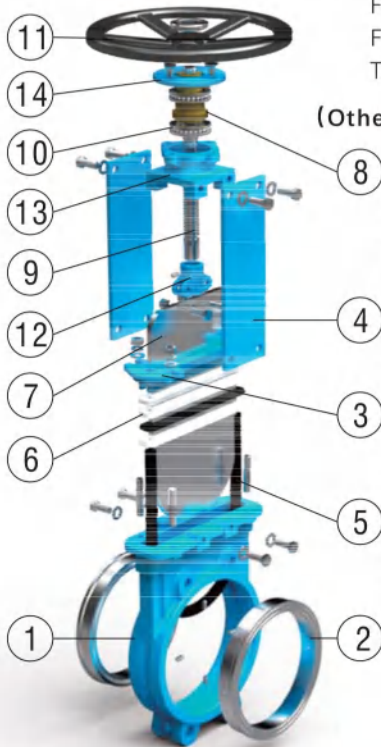
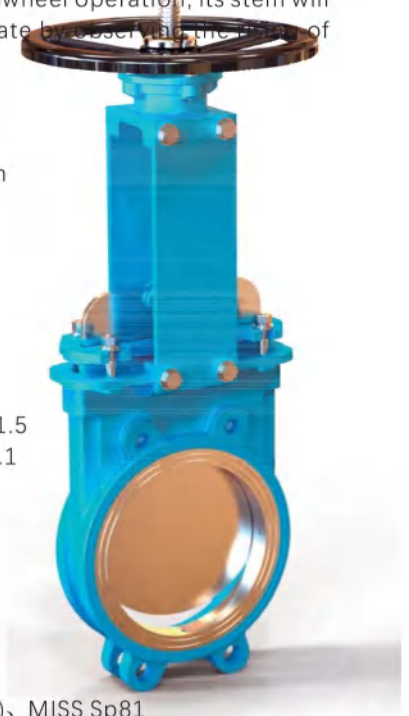
Static water pressure test:

Body test = working pressure x 1.5
 Seal test = working pressure x 1.1

Common flange standards: GB PN10、DIN PN10、ANSI B16.5 (class150)

Other flange standards: GB PN16、GB PN25、DIN PN16、DIN PN25
 BS"Table D"and Table E"、ANSI150、JIS 10K

Execution standard: Design standard: JB/T8691-1998
 Face to face standard: GB/T15188.2-94(table 6~table 7)、MISS Sp81
 Flange standard: GB/T9113.1-2000
 Test and acceptance standard: GB/T13927



(Other execution standards shall be provided by customers or negotiated by both parties.)

Advantageous features:
 Comparing with valves of same series, TB series knife gate valve has following advantages:
 1、Moveable seat can be changed and it can be made to be wear-resistant one with different hardness and materials according to different working conditions;
 2、Deeper packing has greatly improved the durability and sealing of packing.
 3、Easy opening and closing with nice appearance and excellent sealing performance.

STANDARD COMPONENTS LIST

COMPONENT	MATERIAL
1-Body	WCB, 304, 316(L)
2-Seat Ring	WCB, 45#, 201, 304, 316 (L)
3-Gland	WCB, 304, 316(L)
4-Yoke	Q235, 304, 316(L)
5-Sealing	NBR, EPDM
6-Packing	PTFE, Graphite
7-Disc	2Cr13, 201, 304, 316(L)
8-Stem Nut	Brass
9-Stem	2Cr13, 201, 304, 316(L)
10-Bearing	GCr9
11-Handwheel	GGG40
12-Clamp	WCB
13-Yoke Head	WCB
14-Flange	WCB

-Underlined materials are recommended by the company. If customers have special requirements on materials, they shall notify the company.

Description on main parts and structural principle

1-BODY

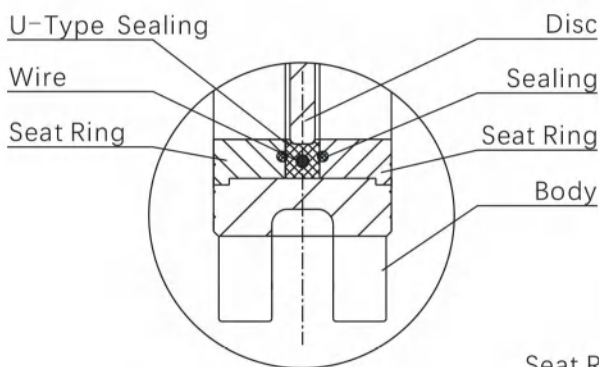
The valve body is designed bi-directional sealing and adopts one piece casting technique. Full bore design enables the media to flow the valve in low differential pressure without flow resistance. The enlarging cavity design makes no blocking in seat. The mold of the valve body can be used for different sizes and multiple assembling are suitable for pipelines of different work conditions and media. The company can manufacture wafer and plum blossom shape (flange connection) in terms of the shape of the valve body.

2-DISC

The gate is processed with mirror surface technique, which makes the friction between packing and smooth gate decrease significantly at the back seat, making gate open easier and packing not easy to be worn and more durable. In the inner sealing, the edge of gate is smoother and the friction between it and seat sealing strip decrease significantly, making the gate more labor saving, easier, more flexible during the opening and increase the wear resistance of the seat sealing strip and increase service life of sealing. Generally, the gate is SS304, but it can be changed or hardened according to customers' requirements. The hardening treatment enables the gate more wear resistant.

3-SEAT

The sealing principle of TB bi-directional sealing knife gate valve mainly depends on flat sealing which is combined by gate surface and seat sealing surface. And flat auxiliary sealing structure is composed of the gate and two moveable seat sealing faces. The seat is made of different materials such as carbon steel, 45# steel, 201, 304,316(L), polyurethane, ceramic ring. It can be hardened which enables the gate more wear resistant according to customers' requirements. The main advantage of this seat is wear resistant, changeable and many materials to can be chosen.



Bi-directional sealing structure



Seat Ring: WCB、45#、201、304、316(L)、Ceramic、PU
 Sealing: NBR、EPDM、PTFE、Viton
 U-Type Sealing: NBR、EPDM

Advantage:

According to customers' feedbacks, we acknowledge that the most vulnerable positions worn by media are seat and gate during the valve's service. Sealing failure caused by seat abrasion may leads to the useless of the whole valve. We have adopted moveable seat structure designs which have following advantages; first, we not only adopt metal abrasion-resistant valve seats, but also non-metal ones, such as polyurethane and ceramic rings to satisfy media conditions; second, metal seat and gate are hardened to improve their hardness; third, the valve seat can be replaced easily, for it is a separate common spare part and can be replaced on the site if it is damaged, which is very convenient and economic. Easy replacement of the valve seat can enable valves to be used for many times, which saves unnecessary waste. A guide funnel is installed on the vertical pipes enables the sealing face not to be worn by the media when the valve is closed and extends its operating life. Our valve structure is composed of durability and reliability; moreover, sealing structure of our valves is opened and closed easily and the valve gate has mirror effect.

Description on main parts and structural principle

4-PACKING

The packing of TB slurry valve adopts deepening design which makes the depth of the packing bigger and sealing elasticity stronger and improves the sealing of back seat, making it not prone to be leaked. Generally, we adopt PTFE plus one layer of O ring wear-resistant rubber strip in packing, which increases the elasticity of the packing and the gland does not need to be pressed completely to seal and changeable elasticity makes the packing compensable during the use and increase its durability. We can change packing materials according to customers' requirements.

Asbestos

common material and its temperature resistance not higher than 50°C. Its sealing is not good and is not used widely as well. It is mainly used for valves do not need high requirements of sealing.

PTFE

wear-resistant, corrosion-resistant and its temperature resistance can reach 240°C. It is used widely and is our normally used material.

Graphite

high temperature resistant with highest temperature 600°C. It is used in high temperature environment.

(Note: Except valves with graphite packing and ceramic fiber packing, valves with other packing will be added another O ring rubber to increase their elasticity.)

5-STEM

The valve stem of TB slurry valve is made of wear-resistance stainless steel 2Cr13. It can be made in different materials according to customers' requirements. Its structure is rising and non-rising and normally we select the latter. If customers choose rising stem, please notify us in advance. The stem is a wearing part, so it needs to be protected with hood if the valve is used in a dusty environment and needs to be lubricated with grease regularly.

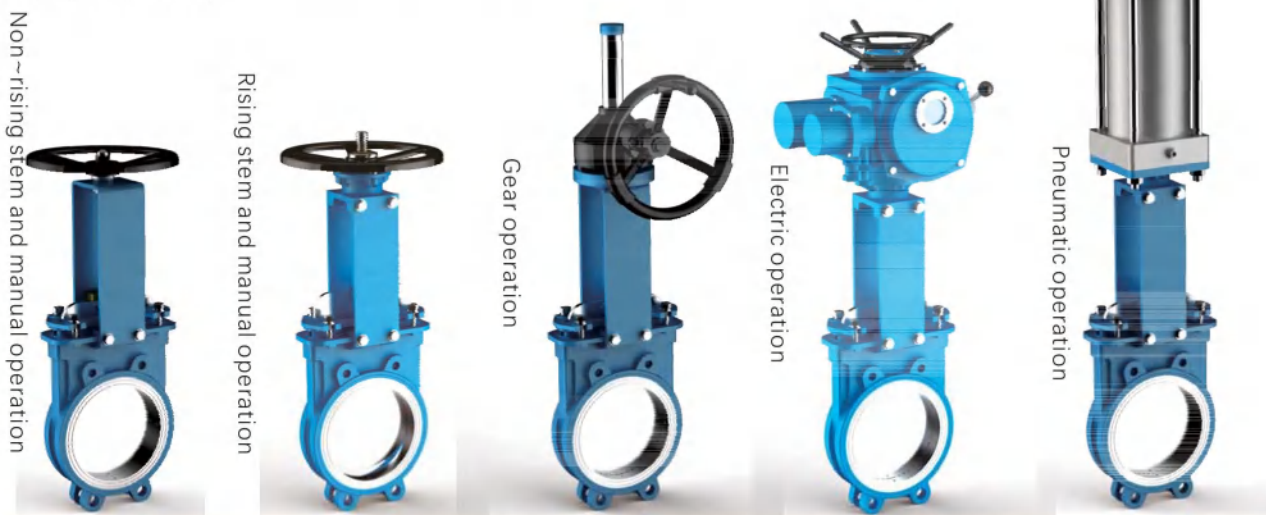
6-GLAND

When the packing gland is used, its bolts to be tightened to ensure the gland pressed evenly and the packing can seal the valve body completely. Normally, the valve body is iron cast, ductile iron, cast steel and the gland selects cast steel. If the valve body is stainless steel and the gland will be in stainless steel as well. It can be made according to customers' requirements.

7-ACTUATOR

TB slurry valve can be installed with different actuators. It can be handwheel, chain wheel, lever, worm gear. It also can be electric, pneumatic, electro-hydraulic, hydraulic. The company has designed a bracket head which can be used for different actuators to enable customers to use in different situations. Thus, it not only saves customer costs to buy spare parts, but also has flexibility and cost-saving.

(Chain wheel and worm gear can be installed with non-rising stem, but it shall be pointed out by customers.)



WEIZIDOM GROUP

Group headquarters : Central Plains E-Commerce Bulidling, Zhengzhou South City, China

Branch Factory: Shanghai,Tianjin, Hebei, Shandong, Wenzhou, lianyungang

Branch Company in Overseas:Tanzania,Zambia,Kenya in Africa

Manual (non-rising stem)

The manual operation is composed of following spare parts:

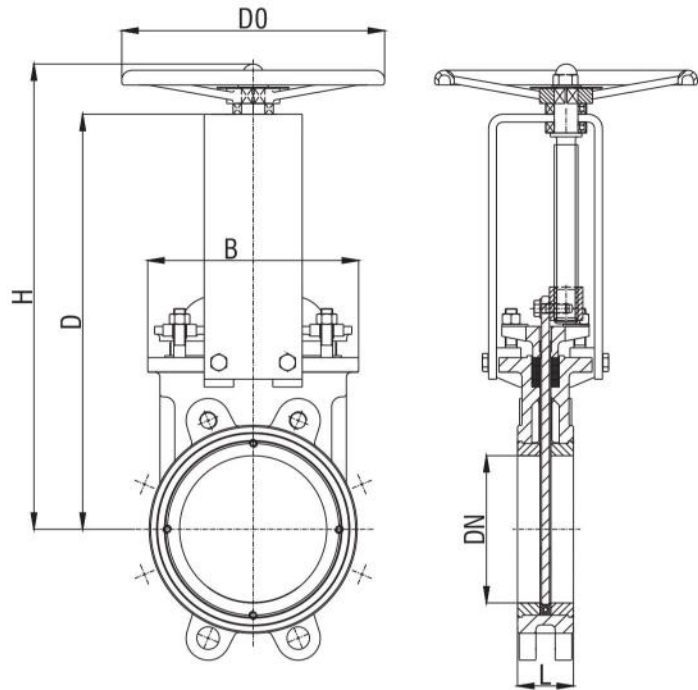
- Handwheel
- Stem
- Bearing(it also can be composed of plastic pad plus copper sheet)
- Stem Nut

Spare parts for selection

- Locking device
- Extension stem

Model

7 10
 16
 TBZ43X2- 10K Q.C.P.PL.R.RL
 5 150Lb



DN	L	B	C	D	D0	H	Weight(Kg)
50	48	135	90	230	180	285	8.5
65	48	155	90	255	180	305	9.5
80	51	165	120	275	220	350	11
100	51	195	122	320	240	380	13
125	57	220	127	365	240	425	18.5
150	57	220	136	425	280	488	24
200	70	270	136	505	300	572	35
250	70	335	160	600	320	673	52.5
300	76	385	165	670	320	753	64
350	76	450	168	795	350	873	87.5
400	89	525	168	890	350	968	116
450	89	565	200	1015	450	1120	166
500	114	630	240	1155	450	1200	245
600	114	735	255	1360	450	1430	323

WEIZIDOM GROUP

Group headquarters : Central Plains E-Commerce Bulidling, Zhengzhou South City, China

Branch Factory: Shanghai,Tianjin, Hebei, Shandong, Wenzhou, lianyungang

Branch Company in Overseas:Tanzania,Zambia,Kenya in Africa

Manual (Rising stem)

The manual operation is composed of following spare parts:

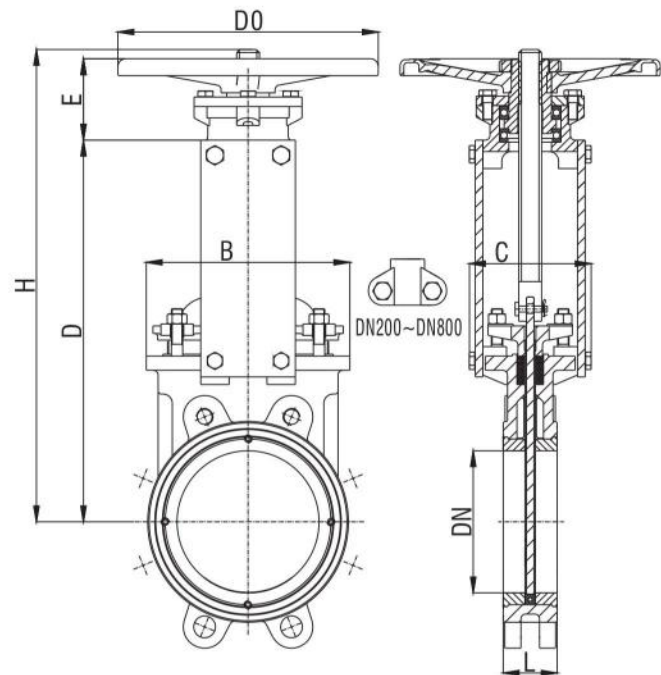
- Handwheel
- Stem
- Yoke Head
- Bearing
- Stem Nut
- Nut

Spare parts for selection

- Locking device
- Extension stem
- Stem hood

Model

7 10
 16
 TBZ43X2- 10K Q.C.P.PL.R.RL
 5 150Lb



DN	L	B	C	D	E	D0	H	Weight(Kg)
50	48	135	90	230	70	180	310	9.5
65	48	155	90	25	70	180	340	10.5
80	51	165	120	275	75	220	360	14
100	51	195	122	320	80	240	400	16
125	57	225	127	365	85	240	455	21.5
150	57	250	136	425	85	280	515	26.5
200	70	280	136	505	85	320	600	38
250	70	335	160	600	90	320	710	55.5
300	76	400	165	670	90	320	765	67
350	76	450	168	795	100	350	910	91.5
400	89	515	168	890	100	350	1020	120
450	89	590	200	1015	100	450	1130	170
500	114	650	240	1155	105	450	1250	251
600	114	735	255	1360	105	450	1480	331

WEIZIDOM GROUP

Group headquarters : Central Plains E-Commerce Bulidling, Zhengzhou South City, China

Branch Factory: Shanghai,Tianjin, Hebei, Shandong, Wenzhou, lianyungang

Branch Company in Overseas:Tanzania,Zambia,Kenya in Africa

Chain wheel (Rising stem)

The chain wheel operation is composed of following spare parts:

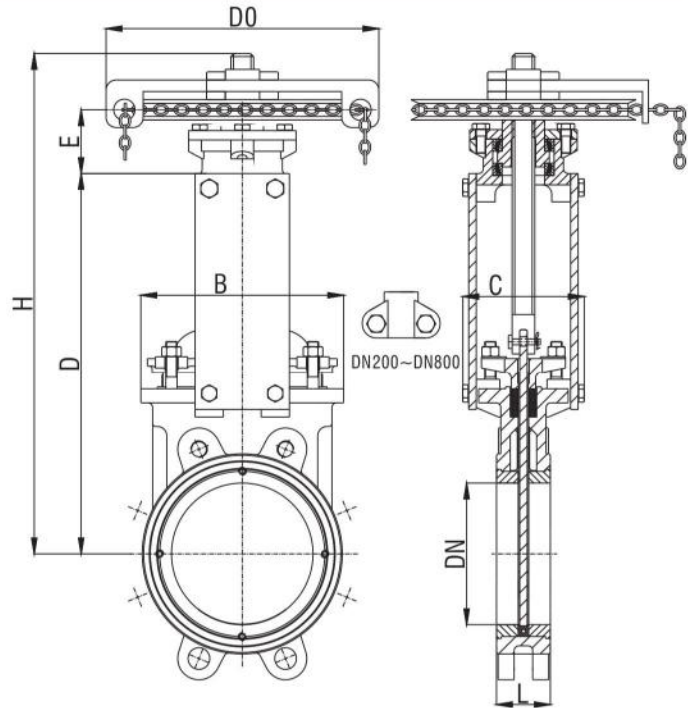
- Chain wheel
- Stem
- Yoke Head
- Bearing
- Stem Nut
- Nut

Spare parts for selection

- Locking device
- Extension stem
- Stem hood

Model

7 10
16
 TBZL43X2-10K Q.C.P.PL.R.RL
5 150Lb



DN	L	B	C	D	E	D0	H	Weight(Kg)
50	48	135	90	230	70	180	360	9.5
65	48	155	90	255	70	180	390	10.5
80	51	165	120	275	75	220	410	14
100	51	195	122	320	80	240	450	16
125	57	225	127	365	85	240	505	21.5
150	57	250	136	425	85	280	565	26.5
200	70	280	136	505	85	320	650	38
250	70	335	160	600	90	320	760	55.5
300	76	400	165	670	90	320	815	67
350	76	450	168	795	100	350	960	91.5
400	89	515	168	890	100	350	1070	120
450	89	590	200	1015	100	450	1180	170
500	114	650	240	1155	105	450	1300	251
600	114	735	255	1360	105	450	1530	331

WEIZIDOM GROUP

Group headquarters : Central Plains E-Commerce Bulidling, Zhengzhou South City, China

Branch Factory: Shanghai,Tianjin, Hebei, Shandong, Wenzhou, lianyungang

Branch Company in Overseas:Tanzania,Zambia,Kenya in Africa

Lever operation

The lever operation is composed of following spare parts:

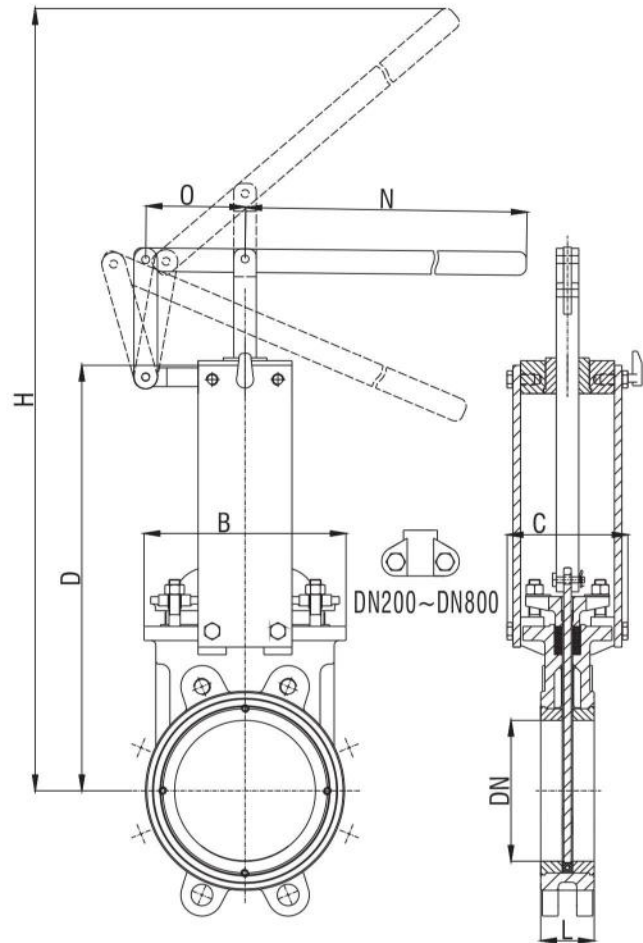
- Lever
- Stem
- Yoke Head
- Shaft Sleeve
- Stem lock
- This is suitable for DN50~DN300

Spare parts for selection

- Locking device
- Extension stem

Model

7	10	
	16	
TBZF43X2-	10K	Q.C.P.PL.R.RL
5	150Lb	



DN	L	B	C	D	O	N	H	Weight(Kg)
50	48	135	90	225	155	325	505	9.5
65	48	155	90	250	155	325	525	10.5
80	51	165	120	275	155	325	550	14
100	51	195	122	315	155	325	605	17
125	57	225	127	365	155	425	905	22.5
150	57	250	136	410	155	425	955	28
200	70	280	136	485	290	620	1030	36

WEIZIDOM GROUP

Group headquarters : Central Plains E-Commerce Bulidling, Zhengzhou South City, China

Branch Factory: Shanghai,Tianjin, Hebei, Shandong, Wenzhou, lianyungang

Branch Company in Overseas:Tanzania,Zambia,Kenya in Africa

GEAR (rising stem)

The worm gear operation is composed of following spare parts:

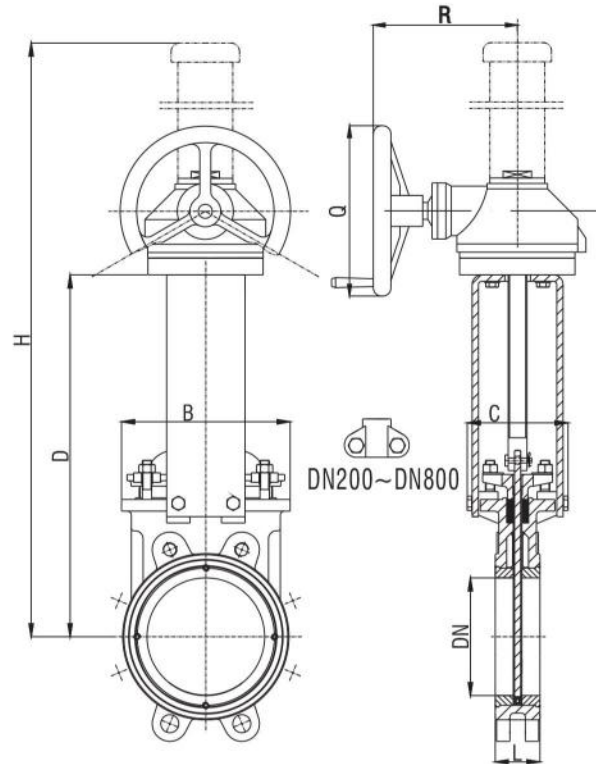
- Gear
- Stem
- Yoke Head
- Bearing
- Stem lock

Spare parts for selection

- Locking device
- Extension stem
- Chain wheel

Model

7 10
 16
 TBZ543X2-10K Q.C.P.PL.R.RL
 5 150Lb



DN	L	B	C	D	Q	R	H	H1	Weight(kg)
200	70	280	136	535	250	190	615	785	45.5
250	70	335	160	585	250	190	665	965	62.5
300	76	400	165	670	310	190	750	1100	74
350	76	450	168	765	310	225	835	1245	100
400	89	515	168	900	310	225	970	1440	125.5
450	89	590	200	1030	310	225	1100	1580	175
500	114	650	240	1130	310	260	1200	1770	234
600	114	735	255	1330	310	260	1410	2080	347.5
700	127	865	255	1590	310	260	1670	2390	482
800	127	980	255	1730	310	260	1935	2760	590.5
900	127	1065	255	2000	460	340	2100	3020	744
1000	149	1185	300	2195	460	340	2310	3330	1111
1200	156	1460	410	2760	530	415	2890	4120	2014

WEIZIDOM GROUP

Group headquarters : Central Plains E-Commerce Bulidling, Zhengzhou South City, China

Branch Factory: Shanghai,Tianjin, Hebei, Shandong, Wenzhou, lianyungang

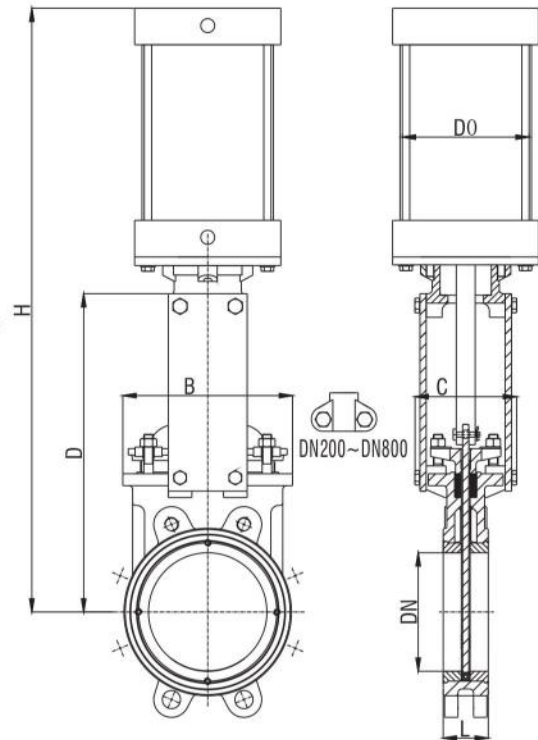
Branch Company in Overseas:Tanzania,Zambia,Kenya in Africa

DOUBLE-ACTING PNEUMATIC CYLINDER

- 1、 Double-acting pneumatic actuators are designed to work at a pressure between 6 and 10 kg/cm²
10 Kg/cm² is the maximum admissible air pressure.
- 2、 For air pressures below 6 Kg/cm², please check with the manufacturer.
- 3、 For DN50 to DN200 valves, the cylinder's jacket and covers are made of aluminium, the rod of 45# steel plated with hard chromium Harding,the piston of rubber-coated steel and the O-ring seals are made of nitrile.
- 4、 For valves larger than DN200 the covers are made of nodular cast iron or carbon steel.
- 5、 On request, we can also supply the Actuator made entirely of stainless steel, especially for installation in corrosive atmospheres.

Model

7 10
 16
 TBZ543X2- 10K Q.C.P.PL.R.RL
 5 150Lb



DN	L	B	C	D	F	D0	H	Weight(Kg)
50	48	135	90	232	230	80	460	16
65	48	155	90	261	245	100	510	16.5
80	51	165	120	276	255	100	530	18
100	51	195	122	320	320	100	635	31
125	57	225	127	367	350	125	720	36.5
150	57	250	136	425	400	125	810	40
200	70	280	136	525	450	160	975	50
250	70	335	160	603	500	200	1095	141.5
300	76	400	165	670	555	200	1225	155
350	76	450	168	795	610	250	1375	186.5
400	89	515	168	890	660	250	1555	226
450	89	590	200	1000	710	300	1685	330
500	114	650	240	1100	780	300	1825	371
600	114	735	255	1310	830	300	2090	471

WEIZIDOM GROUP

Group headquarters : Central Plains E-Commerce Bulidling, Zhengzhou South City, China

Branch Factory: Shanghai,Tianjin, Hebei, Shandong, Wenzhou, lianyungang

Branch Company in Overseas:Tanzania,Zambia,Kenya in Africa

ELECTRIC ACTUATOR

The electric operation is composed of following spare parts:

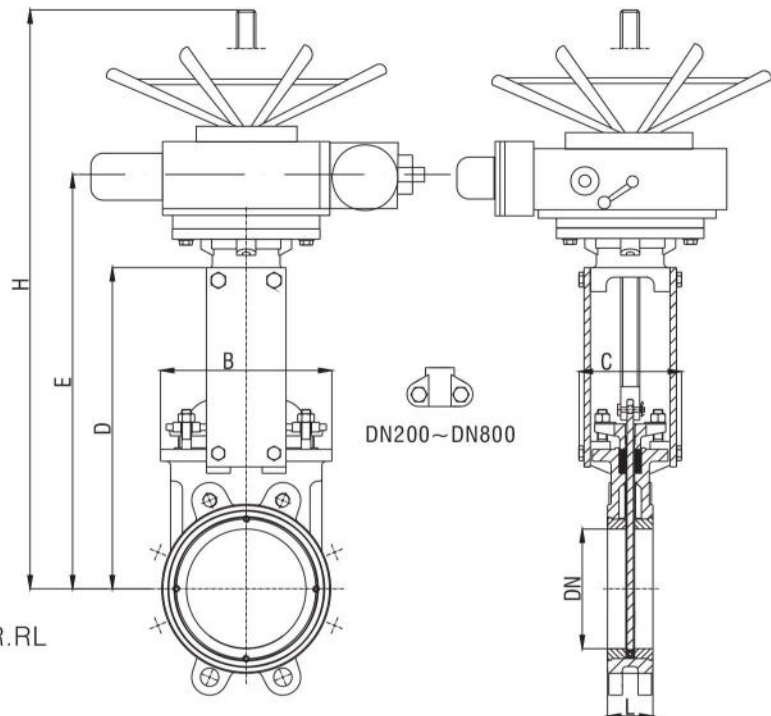
- Electric actuator
- Stem
- Yoke Head
- Stem Nut
- Bearing

Spare parts for selection

- Locking device
- Extension stem
- Chain wheel

Model

7 10
 TBZ943X2- 16
 10K Q.C.P.PL.R.RL
 5 150Lb



DN	L	B	C	D	E	F	G	H	Weight(Kg)
50	48	135	90	230	533	370	575	595	53
65	48	155	90	260	533	370	575	625	53.5
80	51	165	120	275	533	370	575	645	57
100	51	195	122	320	533	370	575	685	59
125	57	225	127	370	533	370	575	735	64.5
150	57	250	136	425	533	370	575	780	69.5
200	70	280	136	555	533	370	575	905	85
250	70	335	160	600	533	380	575	965	107.5
300	76	400	165	670	533	380	575	1095	119
350	76	450	168	795	533	385	575	1245	142.5
400	89	515	168	895	533	385	575	1430	174
450	89	50	200	1040	533	390	575	1615	226
500	114	650	240	1130	671	495	625	1770	360
600	114	735	255	1330	671	495	625	2070	447

WEIZIDOM GROUP

Group headquarters : Central Plains E-Commerce Bulidling, Zhengzhou South City, China

Branch Factory: Shanghai,Tianjin, Hebei, Shandong, Wenzhou, lianyungang

Branch Company in Overseas:Tanzania,Zambia,Kenya in Africa

ELECTRO-HYDRAULIC ACTUATOR

The electro-hydraulic operation is composed of following spare parts

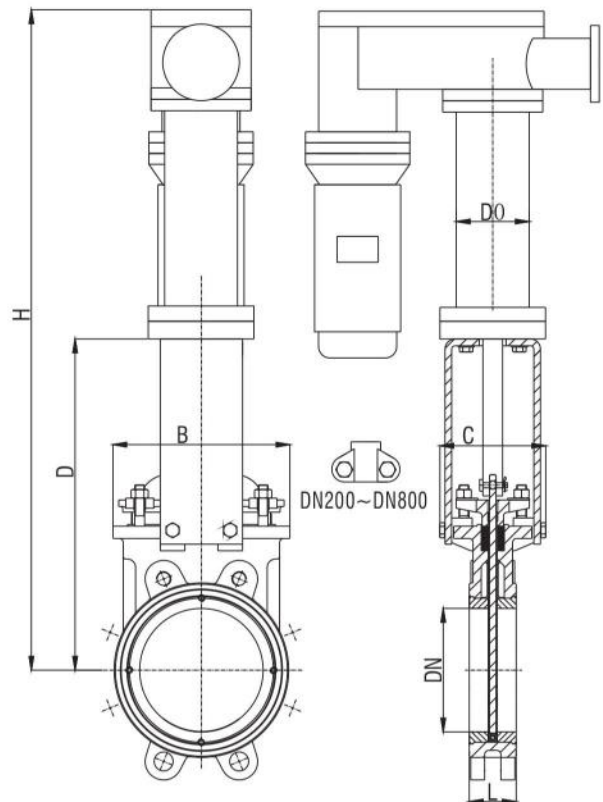
- Hydraulic cylinder
- Oil pump
- Motor
- Yoke head
- Limit switch
- Suitable for DN50 ~ DN1000

Spare parts for selection

- Control box can control remotely
- Protective hood

Model

7 10
 TBZ243X2- 16 Q.C.P.PL.R.RL
 5 10K
 150Lb



DN	L	B	C	D	E	F	D0	H	Weight(kg)
50	48	135	90	225	185	310	50	775	39
65	48	155	90	255	185	310	50	805	41
80	51	165	120	275	185	310	50	825	46
100	51	195	122	315	185	310	50	865	51
125	57	225	127	365	185	310	63	915	62
150	57	250	136	410	185	410	63	970	72
200	70	280	136	535	185	410	70	1105	86
250	70	335	160	585	185	410	70	1165	106
300	76	400	165	670	200	410	80	1270	122
350	76	450	168	765	230	410	80	1375	155
400	89	515	168	900	230	410	100	1600	185
450	89	590	200	1030	230	410	100	1780	232
500	114	650	240	1130	230	410	125	1940	324
600	114	735	255	1330	250	500	140	2230	406

WEIZIDOM GROUP

Group headquarters : Central Plains E-Commerce Bulidling, Zhengzhou South City, China

Branch Factory: Shanghai,Tianjin, Hebei, Shandong, Wenzhou, lianyungang

Branch Company in Overseas:Tanzania,Zambia,Kenya in Africa

TY wafer type knife gate valve

TY wafer type knife gate valve is a special gate valve whose gate is hidden in the valve body and does not contact the outside. Its sealing structure is made up of valve body, bonnet, gate, seat and gland. As the gate is in the valve body and the external seal is consisted of valve stem, packing and bonnet. This design makes the packing a small friction area and long operating life. The inner sealing can be made as a moveable seat which seal with the gate. If the seat is damaged, it can be taken down and replaced on site. Thus, the valve can be put into use but not discarded. An auxiliary sealing, which is made up of wedges in the gate and two sides of the valve body, enables the valve have excellent sealing. This valve is suitable for pipes embedded underground and it can be used there as well.

Suitable media:

It is suitable for media which has suspending solid particles not exceeding 5%. If the valve is used for solid media, it should be installed opposite to the flow direction of the media and the media shall flow from the side of sealing seat.

- Paper Industry -Mining -Silo emptying
- Chemical plants -Pumping -Food industry
- Sewage treatment -Drying plants

Specification: DN50~DN2000 (larger sizes can be designed and made according to the actual order.)

Working (ΔP): Design range (from PN2.5 toPN100)

Valves are designed according to customer's requirements.

PN16-maximum size DN1000

PN25-maximum size Dn800

PN40-maximum size Dn800

PN64-maximum size Dn600

PN100-maximum size DN600

Static water pressure test:

Body test = working pressure x 1.5

Seal test = working pressure x 1.1

Common flange standards: GB PN10、DIN PN10、ANSI B16.5 (class150)

Other flange standards: GB PN16、GB PN25、DIN PN16、DIN PN25
BS"Table D"and Table E"、ANSI150、JIS 10K

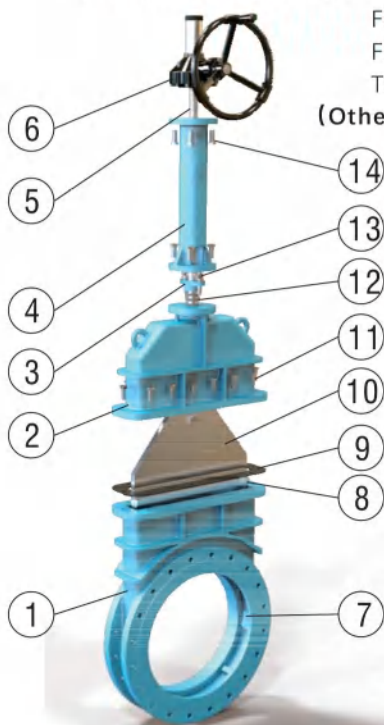
Execution standard: Design standard: JB/T8691-1998

Face to face standard: GB/T15188.2-94(table 6~table 7)、MISS Sp81

Flange standard: GB/T9113.1-2000

Test and acceptance standard: GB/T13927

(Other execution standards shall be provided by customers or negotiated by both parties.)



Advantageous features:

Comparing with valves of same series, TY Wafer type knife gate valve has following advantages:
1、Moveable seat can be changed and it can be made to be wear-resistant one with different hardness and materials according to different working conditions;
2、Wedge design in the middle of the valve body makes the gate sealing more reliable.
3、Deeper packing has greatly improved the durability and sealing of packing.
4、Easy opening and closing with nice appearance and excellent sealing performance.

STANDARD COMPONENTS LIST

COMPONENT	MATERIAL
1-Body	QT450、WCB、304、316(L)
2-Bonnet	QT450、WCB、304、316(L)
3-Gland	WCB、304、316(L)
4-Yoke	WCB、304、316(L)
5-Stem	2Cr13、201、304、316 (L)
6-Gear	QT450、WCB
7-Lug of Body	QT450、WCB、304、316(L)
8-Lug of Disc	2Cr13、201、304、316(L)
9-Sealing	NBR、EPDM
10-Disc	2Cr13、201、304、316(L)
11-Bolt	201、304、316 (L)
12-Packing	PTFE、Graphite
13-Nut/Bolt	201、304、316 (L)
14-Bolt	201、304、316 (L)

-Underlined materials are recommended by the company. If customers have special requirements on materials, they shall notify the company.

WEIZIDOM GROUP

Group headquarters : Central Plains E-Commerce Bulidling, Zhengzhou South City, China

Branch Factory: Shanghai,Tianjin, Hebei, Shandong, Wenzhou, lianyungang

Branch Company in Overseas:Tanzania,Zambia,Kenya in Africa



WEIZIDOM

WEIZIDOM GROUP



集团总部：中国·郑州华南城中原电商大厦
分工厂：上海·天津·河北·山东·温州·连云港
驻外分公司：非洲·坦桑尼亚·赞比亚·肯尼亚

销售热线：**+86-13849013722**

www.wdsolution.com
www.wsdvalves.com

www.facebook.com/hawsd

Group headquarters: Central Plains E-Commerce Building, Zhengzhou South City, China
Branch Factory: Shanghai, Tianjin, Hebei, Shandong, Wenzhou, lianyungang
Branch Company in Overseas: Tanzania, Zambia, Kenya in Africa

Sales Hotline: **+86-13849013722**

info@wsdvalve.com
weisidun@hawsd.com

www.linkedin.com/company/henan-wesdom