



WEIZIDOM



WEIZIDOM GROUP

集团总部：中国·郑州华南城中原电商大厦
分工厂：天津·安徽·山东·连云港·温州
驻外分公司：非洲·坦桑尼亚·赞比亚·肯尼亚

销售热线：+86-13849013722

www.wdsolution.com
www.wsdvalves.com

www.facebook.com/hawsd

Group headquarters: Central Plains E-Commerce Building, Zhengzhou South City, China
Branch Factory: Tianjin, Anhui, Shandong, Lianyungang, Wenzhou
Branch Company in Overseas: Tanzania, Zambia, Kenya in Africa

Sales Hotline: +86-13849013722

info@wsdvalve.com
weidun@hawsd.com

www.linkedin.com/company/henan-wesdom

DIN/JIS/ANSI/BS/GB Valve

WEIZIDOM GROUP



DIN/JIS/ANSI/BS/GB Valve

WEIZIDOM GROUP

WEIZIDOM GROUP

Enterprise Social Responsibility

WEIZIDOM are not only concerned about products, services and solutions.

WEIZIDOM promise to implement sustainable development and benefit society with energy-saving and environmental protection.

Our Purpose: People-Oriented, Hard Work, Never forget the original intention, Innovation and forge ahead

Our Mission: To be a high-quality supplier of fluid control systems and plan maker; To contribute our wisdom and strength to the development of the cutting-edge technology of fluid control systems.

Our Vision: Explore the internal innovation spirit and creativity, pursuit, innovation and continuous improvement. Use wisdom, foresight and hard work to make "WEIZIDOM" a world-renowned brand; Make the group company grow into a respectable "Four Satisfaction" enterprise:

Customer Satisfaction: Use high-quality products and refined services to add value to customers;

Employee Satisfaction: People-oriented, build a platform for all employees to realize their dreams, everyone is the CEO;

Partner Satisfaction: Mutual promotion, improve, mutual benefit and win-win;

Shareholder Satisfaction: Enable the company to develop and grow, and return profits.

Our Values: Create differentiated value-added services for customers, let everyone in the company has a sense of accomplishment.



WEIZIDOM GROUP

Development History



2010

WESDOM was established

In December 2010, WESDOM was registered with a registered capital of 5 million yuan;

2015

WESDOM established the first overseas branch

June 2013, WESDOM passed ISO and other international certifications;

2016

WESDOM products are exported to overseas regions and markets

In June 2014, TIANJIN WESDOM VALVE MANUFACTURING CO.,LTD. was established in Tianjin, where the production of butterfly valves is concentrated;

In July 2015, the first overseas branch company WEISIDUN MATERIAL SOLUTION COMPANY was established in the beautiful African continent –Tanzania, and WESDOM began to expand into the international market;

In December 2015, WESDOM established a special foreign trade import and export company in Zhengzhou, the hinterland of the Central Plains HENAN WEISIDUN IMPORT AND EXPORT TRADE CO.,LTD., to make up for the domestic shortcomings of entering the international market;

In 2016, WESDOM brand products have been exported to Tanzania, Zambia, Egypt, Turkey, Pakistan, Thailand, Indonesia, Vietnam, the Philippines, Saudi Arabia, Mexico and other countries and regions;

In 2017, the company carried out production, procurement adjustments and layouts, expanded product series, initially formed a production and procurement system for water series products (control and connection systems), and established a procurement system for major production clusters across the south and north. ;

2018

Zambia branch was established, and the group company expanded its measurement products series

In January 2018, the second exclusive import and export company was established—HENAN WESDOM FLOW CONTROL CO.,LTD. In August of the same year, the second overseas branch company –WESDOM VALVES AND FITTINGS COMPANY LIMITED was established in Zambia, Africa;

In 2020, under the influence of the unfavorable factors of the domestic and foreign epidemic situation, the company has achieved the goal of breaking 100 million yuan in addition to the continuous growth of sales.

2019

WESDOM launched a series of plastic materials

In 2018, the series of measurement products (water meters, flow meters) were expanded, and the supply chain system was further enriched and improved;

In April 2021, the Kenya branch WESDOM VALVES AND FITTINGS(K) CO LIMITED was established and operated well, its products occupy the African market successfully.

2020

WESDOM sales exceeded 20 million USD

In 2019, a series of plastic material products were launched; the company's valves and pipe fittings passed the CE certification; WESDOM overall sales performance exceeded 90 million in the same year;

To be continued...

2021

Kenya branch is established, WESDOM products occupy the African market

.....



WEIZIDOM GROUP

Company Introduction

WESDOM Group specializes in pipeline fluid systems: R&D, production and sales of valves, pipe fittings, water meters, flow meters, etc. The products cover cast iron, cast steel, stainless steel, copper, plastics and other materials, which are widely used in hydropower stations, heat, buildings, Water supply and drainage, petroleum, chemical industry, electric power, medical and other fields.

In recent years, WESDOM Group has actively embraced the era of Internet of Everything, committed to IoT terminal control and artificial intelligence design, big data mining and development, and promoted smart hardware to move towards big data center and wisdom with excellent market foresight and technological innovation. The smart cities, smart heating, smart water and other fields are in progress.

In the early stage, the Internet of Things smart valves and smart water meters were developed to promote and apply smart control systems such as municipal heating and municipal water supply.

In terms of quality control, we have strict control procedures. From the raw materials entering the factory to the final product leaving the factory, after 24 quality inspection passes, each pass must ensure that the product quality is 100% qualified before it can flow into the next process, thus ensuring that the qualified rate of the finished products. WESDOM products can well meet the Chinese standard like GB, JB, HB; American standard like API, ASME, AWWA; British and EU standards like BS, EN, ISO; German standard DIN; Japanese standard JIS; Russian standard GOST and other standards.



Foreign Branch



WEISIDUN MATERIAL SOLUTION COMPANY
48A, INDUSTRIAL WAY ROAD, MIKOCHENI B, DAR ES SALAAM TANZANIA



WESDOM VALVES AND FITTINGS COMPANY LIMITED
PLOT NO. 1901/08, KALUNGU CRESCENT, NORTHMEAD, LUSAKA, ZAMBIA
GIBSON MENG +260 972 377 777

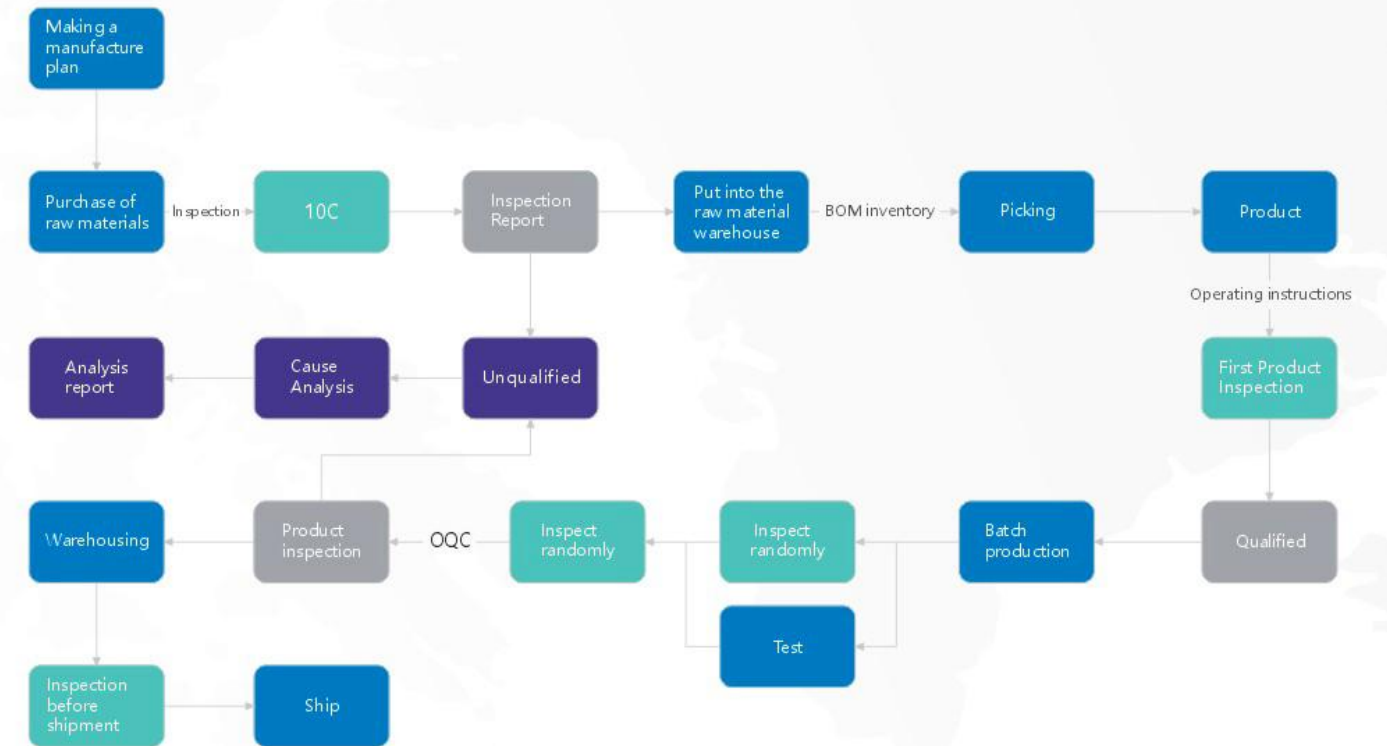


WESDOM VALVES AND FITTINGS(K) CO LIMITED
Nairobi, Kenya

WEIZIDOM GROUP Company Qualification



Product Quality Control Process



WEIZIDOM GROUP

Application Field



Power Generation

- Water and electricity
- Flue gas desulfurization system
- Flue gas desulfurization system
- Cooling water system
- Steam System
- Waste incineration power generation
- Renewable energy



Steel

Water engineering valves and air valves are used to control the gases in the steel production



Mining

- Acid leaching solvent extraction
- Mud transmission
- Cooling System



Chemical Industry

- Chemical production
- Distribution system
- Surface treatment
- Biofuels



Boats and Ships

- Cargo loading
- Dredging system
- Cooling water system
- Inert gas
- Hull valve
- Ballast system
- Compressed gas



Building

- Water supply and drainage
- Heating ventilation and air conditioning



Service Project

Our Main business

Water supply/Sewage/Firefighting/Gas/Industry



CHINA CIVIL ENGINEERING & CONSTRUCTION CORPORATION(CCECC)



LAKE VICTORIA WATER SUPPLY AND SANITATION PROJECT P.O.Box 317, MWANZA C/O CHINA CIVIL ENGINEERING CONSTRUCTION

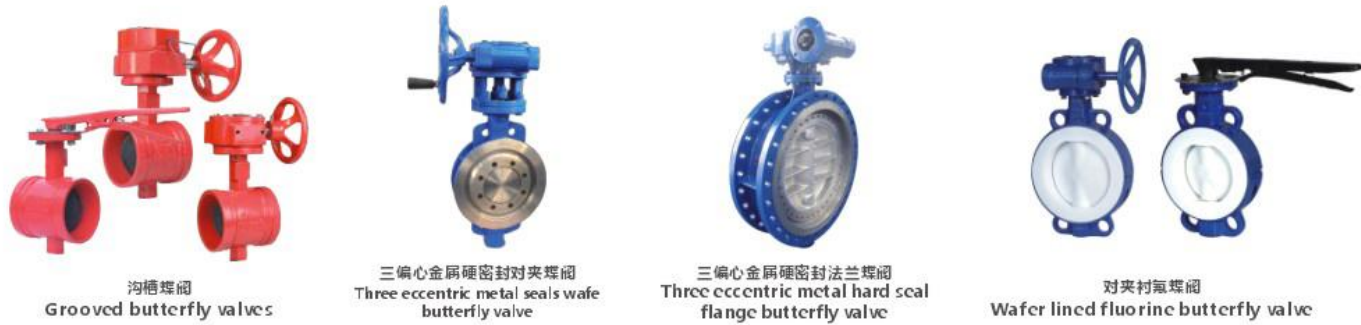
CORPORATION P.O.Box 4083, DAR ES SALAAM, TANZANIA

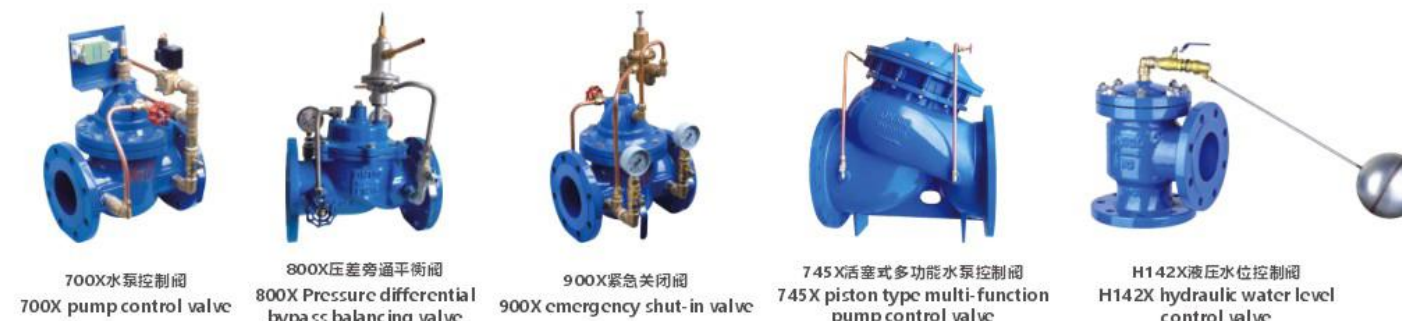
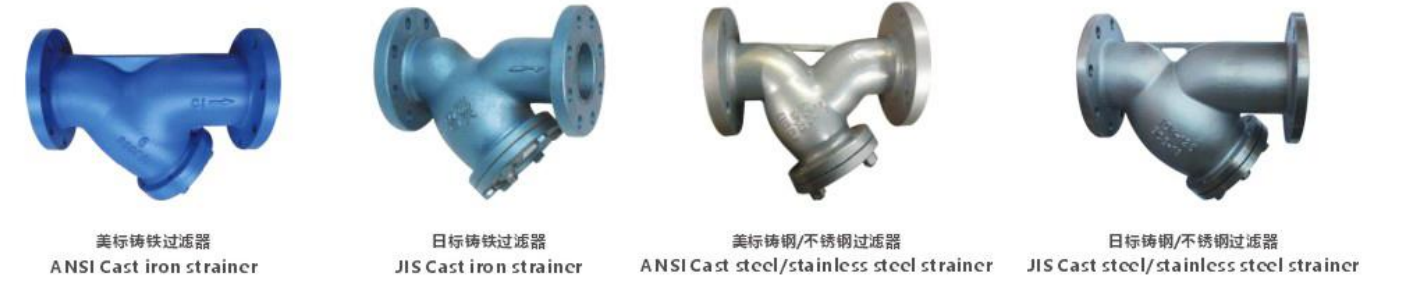
STECOL CORPORATION

IFB/ ZAWA/ ZUWSP/01/CW-01/ PACKAGE

1. PROJECT NAME: ZANZIBAR URBAN WATER AND SANITATION PROJECT (ZUWSP) PACKAGE
2. Construction of Scheme Works Infrastructure for Water Supply, for Zanzibar, Tanzania.









001 蝶阀系列
Butterfly Valve Series



020 闸阀系列
Gate Valve Series



055 球阀系列
Ball Valve Series



067 截止阀系列
Globe Valve Series



077 止回阀系列
Check Valve Series



095 不锈钢丝扣阀门系列
Stainless Steel Wire Buckle Valve Series



102 过滤器系列
Strainer Series



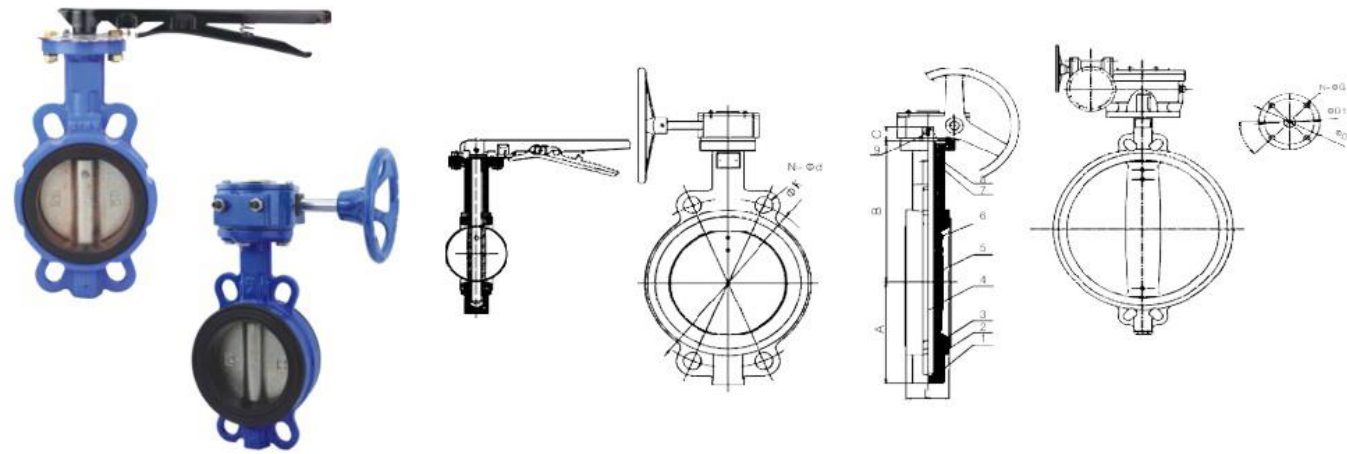
110 排气阀系列
Air Release Valve Series



114 水力控制阀系列
Hydraulic Control Valve Series

蝶阀系列 Butterfly Valve Series





主要零件及材料 Main parts and materials

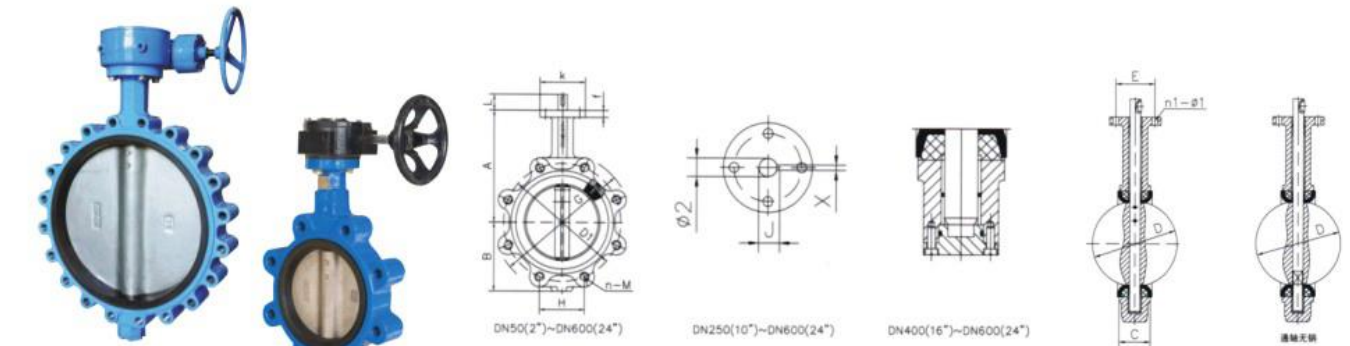
零件名称 Part name	材料 Material
阀体 Body Materials	灰铁 Cast Iron, 球墨铸铁 Ductile Iron, 碳钢 WCB, 不锈钢 Stainless Steel, 铜 Bronze
阀座 Seat Materials	丁腈 NBR, 三元乙丙 EPDM, 氟橡胶 VITON, 聚四氟乙烯 PTFE
蝶板 Disc Materials	球墨铸铁 Ductile Iron, 碳钢 WCB, 304 CF8, 316 CF8M, 铝青铜 Al-bronze C958
阀轴 Stem Materials	SS416, SS304, SS316
连接方式 End Connection	对夹 Wafer
驱动方式 Operate	手柄 Manual, 涡轮 Worm gear, 气动 Pneumatic, 电动 Electric-Motorized
蝶板类型 Disc type	有销 With-pin, 通轴无销 One stem no-pin, 双半轴 Double stem no-pi

设计标准 Valve design

技术规范 Technical specification	
设计标准 Valve design	API 609, MSS SP-67
结构长度 Face to Face	API 609, MSS SP-67, DIN3202, BS EN558-1
试验标准 Pressure test	API 598
连接法兰 Flange Drilling	ANSI B16.1 Class125, BS4504 PN10/PN16, DIN2501 PN10/PN16
上法兰 Top Flange	ISO5211

主要外形及连接尺寸 Main external and connecting dimensions(mm)

Size		A	B	C	L	ANSI 150B		DIN PN 10		DIN PN 16		JIS 10K		ISO 5211			Top Flange
mm	inch					ΦK	N-Φd	ΦK	N-Φd	ΦK	N-Φd	ΦK	N-Φd	ΦD	ΦD1	N-ΦG	
40	1 1/2"	67	141	32	33	98.5	4-Φ16	110	4-Φ18	110	4-Φ18	105	4-Φ19	65	50	4-Φ8	F05
50	2"	67	141	32	43	120.6	4-Φ19	125	4-Φ18	125	4-Φ18	120	4-Φ19	65	50	4-Φ8	F05
65	2 1/2"	75	151	32	46	139.7	4-Φ19	145	4-Φ18	145	4-Φ18	140	4-Φ19	65	50	4-Φ8	F05
80	3"	95	160	32	46	152.4	4-Φ19	160	8-Φ18	160	8-Φ18	150	8-Φ19	65	50	4-Φ8	F05
100	4"	111	180	32	52	190.5	8-Φ19	180	8-Φ18	180	8-Φ18	175	8-Φ19	90	70	4-Φ10	F07
125	5"	129	193	32	56	215.9	8-Φ22.4	210	8-Φ18	210	8-Φ18	210	8-Φ23	90	70	4-Φ10	F07
150	6"	142	207	32	56	241.3	8-Φ22.4	240	8-Φ22	240	8-Φ22	240	8-Φ23	90	70	4-Φ10	F07
200	8"	170	240	45	60	298.4	8-Φ22.4	295	8-Φ22	295	12-Φ22	290	12-Φ23	125	102	4-Φ12	F10
250	10"	206	270	45	68	361.9	12-Φ25.4	350	12-Φ22	355	12-Φ26	355	12-Φ25	125	102	4-Φ12	F10
300	12"	238	316	45	78	431.8	12-Φ25.4	400	12-Φ22	410	12-Φ26	400	16-Φ25	125	102	4-Φ12	F10
350	14"	267	368	45	78	476.2	12-Φ28.4	460	16-Φ22	470	16-Φ26	445	16-Φ25	125	102	4-Φ12	F10
400	16"	298	400	51	86	539.7	16-Φ28.4	515	12-Φ26	525	16-Φ30	510	16-Φ27	175	140	4-Φ18	F14
450	18"	318	422	51	105	577.8	16-Φ31.8	565	20-Φ26	585	20-Φ30	565	20-Φ27	175	140	4-Φ18	F14
500	20"	349	479	57	130	635	20-Φ31.8	620	20-Φ26	650	20-Φ33	620	20-Φ27	175	140	4-Φ18	F14
600	24"	410	562	70	152	749.3	20-Φ35.1	725	20-Φ30	770	20-Φ36	730	24-Φ33	210	165	4-Φ22	F16



主要零件及材料 Main parts and materials

NO.	零件名称 Part name	材料 Material
1	阀体 Body	灰铁 Cast Iron, 球墨铸铁 Ductile Iron, 碳钢 WCB, 不锈钢 Stainless Steel, 铜 Bronze
2	阀座 Seat	丁腈 NBR, 三元乙丙 EPDM, 氟橡胶 VITON, 聚四氟乙烯 PTFE
3	蝶板 Disc	球墨铸铁 Ductile Iron, 碳钢 WCB, 304 CF8, 316 CF8M, 铝青铜 Al-bronze C958
4	阀轴 Stem	SS416, SS304, SS316
5	连接方式 End Connection	凸耳 Lug
6	驱动方式 Operate	手柄 Manual, 涡轮 Worm gear, 气动 Pneumatic, 电动 Electric-Motorized
7	蝶板类型 Disc type	有销 With-pin, 通轴无销 One stem no-pin, 双半轴 Double stem no-pi

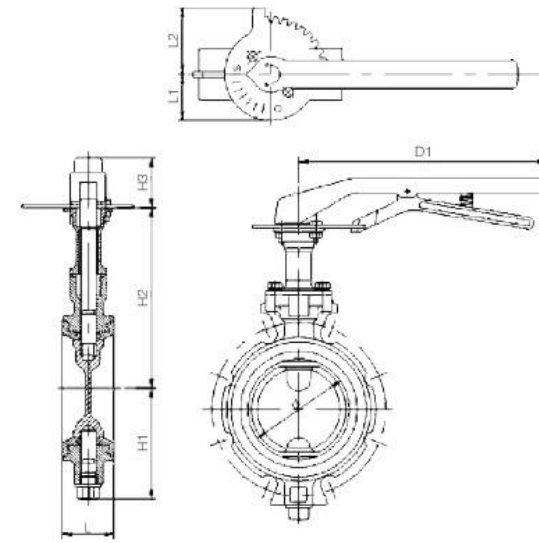
设计标准 Valve design

技术规范 Technical specification	
设计标准 Valve design	BS5155, EN593, API 609, MSS SP-67
结构长度 Face to Face	API 609, MSS SP-67, DIN3202, BS EN558-1
试验标准 Pressure test	API 598
连接法兰 Flange Drilling	ANSI B16.1 Class125, BS4504 PN10/PN16, DIN2501 PN10/PN16
上法兰 Top Flange	ISO5211

主要外形及连接尺寸 Main external and connecting dimensions(mm)

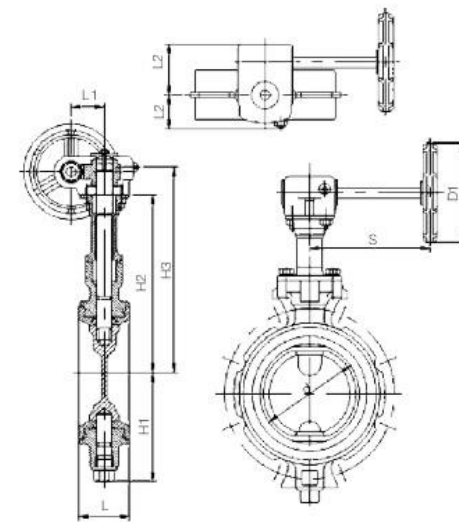
Size		A	B	C	D	L	H	D1	n-M	K	E	n1-Φ1	Φ2	G	J	X	f	Total height
mm	inch																	
50	2"	161	80	43	52.9	32	88.38	125	4-M16	77	57.15	4-6.7	12.6	155	13.8	3	13	
65	2 1/2"	175	89	46	64.5	32	102.54	145	4-M16	77	57.15	4-6.7	12.6	179	13.8	3	13	341
80	3"	181	95	45.21	78.8	32	61.23	160	8-M16	77	57.15	4-6.7	12.6	190	13.8	3	13	357
100	4"	200	114	52.07	104	32	68.88	180	8-M16	92	69.85	4-10.3	15.77	220	17.77	5	13	374
125	5"	213	127	55.5	123.3	32	80.36	210	8-M16	92	69.85	4-10.3	18.92	254	20.92	5	13	410
150	6"	226	139	55.75	155.6	32	91.84	240	8-M20	92	69.85	4-10.3	18.92	285	20.92	5	13	451
200	8"	260	175	60.58	202.5	45	112.89 76.35	295	8-M20 12-M20	115	88.9	4-14.3	22.1	339	24.1	5	13	570
250	10"	292	203	68	250.5	45	90.59 91.88	350 355	12-M20 12-M24	115	88.9	4-14.3	28.45	406	31.45	8	13	658
300	12"	337	242	76.9	301.6	45	103.52 106.12	400 410	12-M20 12-M24	140	107.95	4-14.3	31.6	477	34.6	8	20	719
350	14"	386	267	76.5	333.3	45	89.74 91.69	460 470	16-M20 16-M24	140	107.95	4-14.3	31.6	515	34.6	8	20	765
400	16"	400	325	85.7	389.6	51.2 72	100.48 102.42	515 525	16-M24 16-M27	197	158.75	4-20.6	33.15	579	36.15	10	20	911
450	18"	422	345	104.6	440.5	51.2 72	88.38 91.51	565 588	20-M24 20-M27	197	158.75	4-20.6	37.95	627	41	10	20	962
500	20"	480	378	130.26	491.6	57 82	96.99 101.68	620 650	20-M24 20-M30	197	158.75	4-20.6	41.15	696	44.15	10	22	1049
600	24"	562	475	151.36	592.5	70.2 82	113.42	725 770	20-M27 20-M33	276	215.9	4-22.2	50.65	821	54.65	16	22	1271

防结露蝶阀 Anti-knot Dew Butterfly Valve



主要外形及连接尺寸 Main external and connecting dimensions(mm)

Size		d	L	H1	H2	H3	L1	L2	D1
inch	mm								
1 1/2'	40	42	33	70	145	1 1/2'	1 1/2'	1 1/2'	1 1/2'
2'	50	52	43	82	145	2'	2'	2'	2'
2 1/2'	65	67	46	90	157	2 1/2'	2 1/2'	2 1/2'	2 1/2'
3'	80	80	46	99	165	3'	3'	3'	3'
4'	100	102	52	112	183	4'	4'	4'	4'
5'	125	126	56	132	196	5'	5'	5'	5'
6'	150	150	56	146	214	6'	6'	6'	6'

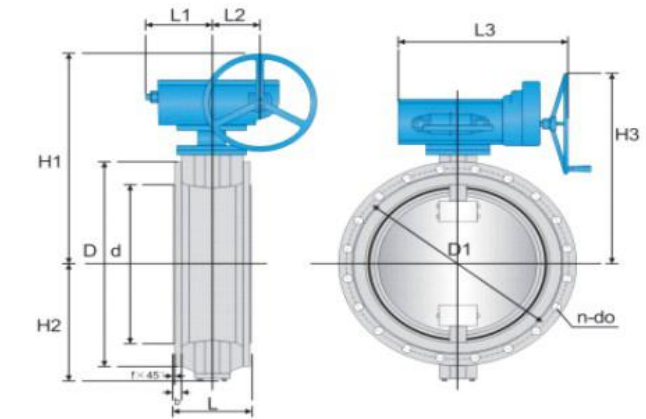


主要外形及连接尺寸 Main external and connecting dimensions(mm)

Size		d	L	H1	H2	H3	L1	L2	L3	S	D1
inch	mm										
1 1/2'	40	42	33	70	145	168					
2'	50	52	43	82	145	168					
2 1/2'	65	67	46	90	157	180	35	35	56	132	100
3'	80	80	46	99	165	188					
4'	100	102	52	112	183	206	41	39	68		
5'	125	126	56	132	196	220					
6'	150	150	56	146	214	238	58	48	89	149	140
8'	200	199	60	188	241	272					
10'	250	248	68	220	320	367	67	61	97	178	200
12'	300	297	78	255	355	402		63			



偏心软密封蝶阀 Eccentric Soft Sealing Butterfly Valve



主要零件及材料 Main parts and materials

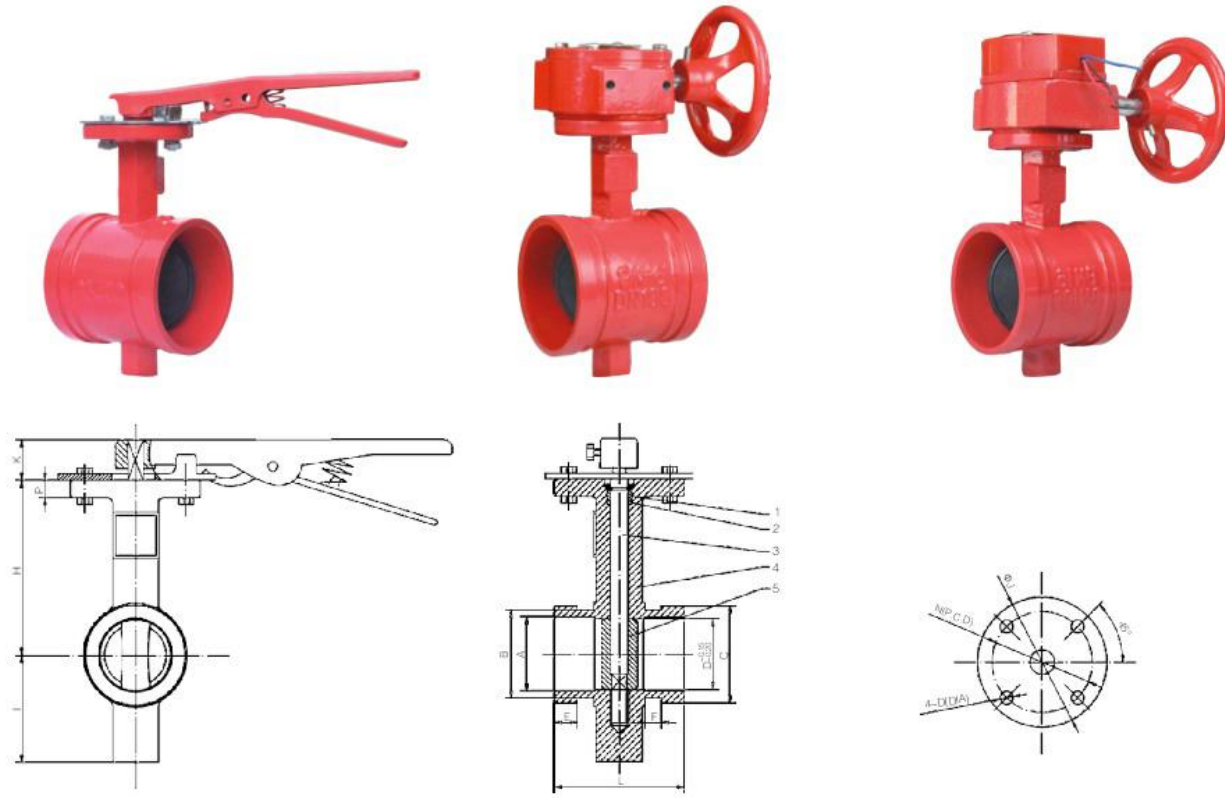
零件名称 Part name	材料 Material
阀体 Body Materials	球墨铸铁 Ductile Iron, 碳钢 WCB 不锈钢 Stainless Steel, 铜 Bronze
阀座 Seat Materials	丁腈 NBR, 三元乙丙 EPDM, 聚四氟乙烯 PTFE
蝶板 Disc Materials	球墨铸铁 Ductile Iron, 碳钢 WCB, 304 CF8, 316 CF8M 铝青铜 Al-bronze C958
阀轴 Stem Materials	SS416, SS304, SS316
连接方式 End Connection	法兰 Flange
驱动方式 Operate	蜗轮 Worm gear, 气动 Pneumatic, 电动 Electric-Motorized
阀座类型 Seat Type	Seat on the body, Seat on the disc, T-shaped seat

设计标准 Valve design

技术规范 Technical specification	
设计标准 Valve design	API609, AWWA-C504, BS EN593, GB/T12238
结构长度 Face to Face	API609, ASME B16.10, BS EN558, GB/T12221
连接法兰 Flange Drilling	ASME B16.42, ASME B16.47, BS EN1092-2 GB/T9113, GB/T 17241.6
试验标准 Pressure Test	API598, BS EN12266, GB/T 13927

主要外形及连接尺寸 Main external and connecting dimensions(mm)

DN	PN0.6MPa/1.0MPa/1.6MPa						PN0.6MPa				PN1.0MPa				PN1.6MPa				L	
	H1	H2	H3	L1	L2	L3	D	D1	d	n-do	D	D1	d	n-do	D	D1	d	n-do	13系列	14系列
100	310	109	242	52	45	210	210	170	144	4-Φ19	220	180	156	8-Φ19	220	180	156	8-Φ19	127	190
150	440	143	340	52	45	210	265	225	199	8-Φ19	285	240	211	8-Φ23	285	240	211	8-Φ23	140	210
200	510	182	410	77	63	315	320	280	254	8-Φ19	340	295	266	8-Φ23	340	295	266	12-Φ23	152	230
250	565	219	445	77	63	315	375	335	309	12-Φ19	395	350	319	12-Φ23	405	355	319	12-Φ28	165	250
300	630	244	480	95	72	242	440	395	363	12-Φ23	445	400	370	12-Φ23	460	410	370	12-Φ28	178	270
350	715	283	565	110	91	275	490	445	413	12-Φ23	505	460	429	16-Φ23	520	470	429	16-Φ28	190	290
400	750	312	600	220	91	275	540	495	463	16-Φ23	565	515	480	16-Φ28	580	525	480	16-Φ31	216	310
450	820	344	670	147	147	420	595	550	518	16-Φ23	615	565	530	20-Φ28	640	585	548	20-Φ31	222	330
500	845	381	695	147	147	420	645	60	568	20-Φ23	670	620	582	20-Φ28	715	650	609	20-Φ34	229	350
600	950	451	785	533	179	476	755	705	667	20-Φ26	780	725	682	20-Φ31	840	770	720	20-Φ37	267	390
700	1010	526	845	533	179	476	860	810	772	24-Φ26	895	840	794	24-Φ31	910	840	794	24-Φ37	292	430
800	1140	581	975	655	217	577	975	920	878	24-Φ31	1015	950	901	24-Φ34	1025	950	901	24-Φ40	318	470
900	1197	643	1032	655	217	577	1075	1020	978	24-Φ31	1115	1050	1001	28-Φ34	1125	1050	1001	28-Φ40	330	510
1000	1277	722	1112	655	217	577	1175	1120	1078	28-Φ31	1230	1160	1112	28-Φ37	1255	1170	1112	28-Φ43	410	550
1200	1511	840	1286	748	262	664	1405	1340	1295	32-Φ34	1455	1380	1328	32-Φ40	1485	1390	1328	32-Φ49	470	630
1400	1750	1150	1515	884	334	790	1630	1560	1510	36-Φ37	1675	1590	1530	36-Φ43	1685	1590	1530	36-Φ49	530	710
1500	1870	1305	1635	884	334	790	1830	1760	1710	40-Φ31	1915	1820	1750	40-Φ49	1820	1710	1640	36-Φ67	600	790
1600	1870	1305	1635	884	334	790	1830	1760	1710	40-Φ37	1915	1820	1750	40-Φ49	1930	1820	1750	40-Φ56	600	790



主要零件及材料 Main parts and materials

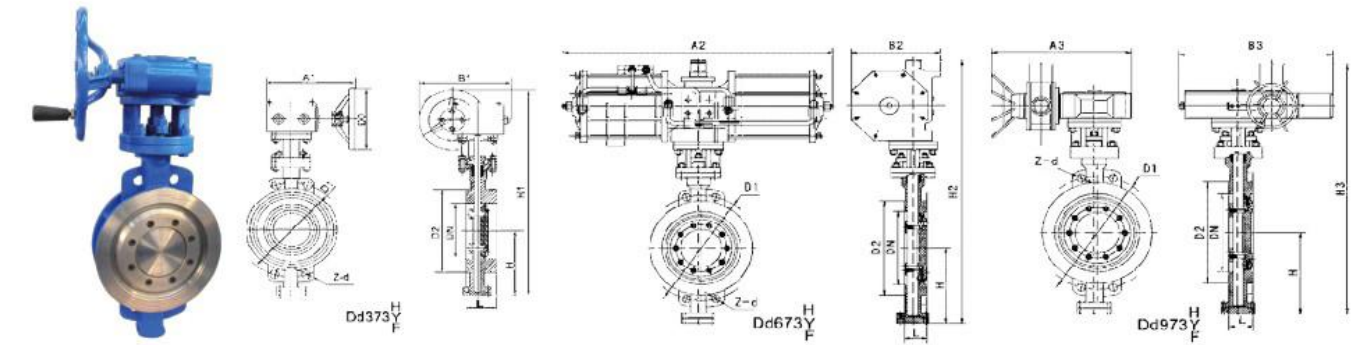
零件名称 Part name	材料 Material
阀体 Body Materials	球墨铸铁 Ductile Iron
阀座 Seat Materials	丁腈 NBR, 三元乙丙 EPDM
蝶板 Disc Materials	球墨铸铁 + EPDM/NBR Ductile Iron + EPDM/NBR lined
阀轴 Stem Materials	SS416, 304
连接方式 End Connection	沟槽 Grooved
驱动方式 Operate	手柄 Manual, 涡轮 Worm gear, 信号涡轮头 Signal turbine head

设计标准 Valve design

技术规范 Technical specification	材料 Material
设计标准 Valve design	AWWAC606, KSB2822, GB5135.11
结构长度 Face to Face	KSB2822 MSS SP67
试验标准 Pressure test	API598, EN12266-1, ISO5208
连接法兰 Flange Drilling	AWWAC606, KSB2822, GB5135.11

主要外形及连接尺寸 Main external and connecting dimensions(mm)

SIZE	A	B	C	D	E	F	H	I	J	L	N	O	P	K
2"	50	60.3	67	48.8	16	11	119	55	90	90	70	9	12	26
2 1/2"	61	69.1	73	59.8	16	11	125.5	62.5	90	97	70	9	12	26
3"	80	88.9	97	79.1	16	11	131.5	75	90	97	70	9	12	26
4"	101	114.3	122.5	99	16	11	151	90	90	116	70	9	14	30
5"	127	137	141.3	123.8	16	11	171.5	108	90	134	70	9	14	30
6"	150	165	175	146.8	16	11	183	118	90	134	70	9	14	30
8"	202	219	232	198.8	20.5	11	205.4	148	125	148	102	11	18	41
10"	253	278	286	248.8	20.5	11	250	186	125	160	102	11	18	41
12"	303	323.9	336.5	298.5	20.5	11	275	213	125	166	102	11	18	41



主要零件及材料 Main parts and materials

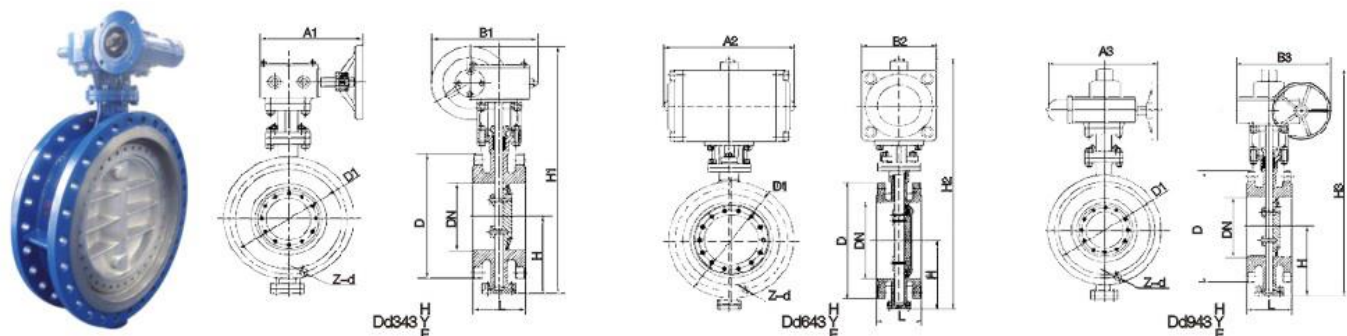
NO.	零件名称 Part name	材料 Material
1	阀体 Body	碳钢 WCB, 不锈钢 Stainless Steel, 钨钼钢 Cr-Mo steel, 合金钢 Alloy steel
2	密封圈 Sealing ring	不锈钢+柔性石墨 Stainless Steel+Flexible graphite, 聚四氟乙烯 PTFE
3	蝶板 Disc	碳钢 WCB, 不锈钢 Stainless Steel, 钨钼钢 Cr-Mo steel, 合金钢 Alloy steel
4	阀杆 Stem	2CR13, 不锈钢 Stainless Steel
5	填料 Packing	柔性石墨 Flexible graphite, 聚四氟乙烯 PTFE
6	驱动方式 Operate	涡轮 Worm gear, 气动 Pneumatic, 电动 Electric-Motorized

设计标准 Valve design

技术规范 Technical specification	材料 Material
设计标准 Valve design	API 609, JIS B2064, JB/T 18527
结构长度 Face to Face	ANSI B16.10-92, JIS B2002-87, GB/T 12221-89
试验标准 Pressure test	API 598, FIS B2003-87, GB/T 13927-92
连接法兰 Flange Drilling	ANSI B165a MSS-SP-44, JIS B2212-2216, GB/T 9113.1

主要外形及连接尺寸 Main external and connecting dimensions(mm)

mm	Inch	L	H	D373H D373Y			D673H			D973H			0.6MPa		1.0MPa		1.6MPa		2.5MPa	
				H1	A1	B1	H2	A2	B2	H3	A3	B3	D1	Z-d	D1	Z-d	D1	Z-d	D1	Z-d
50	2"	43	112	350	180	200	625	245	72	530	250	255	110	4-14	125	4-18	125	4-18	125	4-18
65	2 1/2"	46	115	370	180	200	625	245	72	530	250	255	130	4-14	145	4-18	145	4-18	145	8-18
80	3"	49	120	380	180	200	645	245	72	565	250	255	150	4-18	160	8-18	160	8-18	160	8-18
100	4"	56	138	420	180	200	675	355	92	600	250	255	170	4-18	180	8-18	180	8-18	190	8-22
125	5"	64	164	460	180	200	715	355	92	640	250	255	200	8-18	210	8-18	210	8-18	220	8-26
150	6"	70	175	555	270	280	800	355	92	705	300	315	225	8-18	240	8-22	240	8-22	250	8-26
200	8"	71	208	605	270	280	850	250	170	775	300	315	280	8-18	295	8-22	295	12-22	310	12-28
250	10"	76	243	680	270	280	925	250	170	945	300	315	335	12-18	350	12-22	355	12-26	370	12-30
300	12"	83	283	800	380	420	1035	450	200	1070	300	315	395	12-22	400	12-22	410	12-26	430	16-30
350	14"	92	310	835	380	420	1070	450	220	1140	300	315	445	12-22	560	16-22	470	16-26	490	16-33
400	16"	102	340	915	450	470	1190	450	220	1210	300	315	495	16-22	515	16-26	525	16-30	550	16-36
450	18"	114	380	960	480	490	1250	650	280	1335	575	714	550	16-22	565	20-26	585	20-30	600	20-36
500	20"	127	410	1020	480	490	1290	650	280	1415	575	714	600	20-22	620	20-26	650	20-33	660	20-36
600	24"	154	470	1225	480	490	1455	850	380	1605	656	810	705	20-26	725	20-30	770	20-36	770	20-39
700	28"	165	550	1355	640	660	1585	850	380	1844	656	810	810	24-26	840	24-30	840	24-36	875	24-42
800	32"	190	640	1470	640	660	1700	1250	380	2040	656	810	920	24-30	950	24-33	950	24-39	990	24-48
900	36"	203	710	1545	750	860	1965	1250	380	2255	785	863	1020	24-30	1050	28-33	1050	28-39	1090	28-48
1000	40"	216	770	1795	850	900	2015	1250	380	2380	785	863	1120	28-30	1160	28-36	1170	28-42	1210	28-56
1200	48"	254	890	1965	850	900	2250	1250	380	2640	785	863	1340	32-33	1380	32-39	1390	32-48	1420	32-56



主要零件及材料 Main parts and materials

NO.	零件名称 Part name	材料 Material
1	Base support	Q235B
2	Bushing	Composite parts
3	Body	WCB
4	Pressing plate	Q235B
5	Seal ring	Steel plate+High temperature cardboard
6	Disc	WCB
7	Pins	45
8	Stem	2Cr13
9	Shaft sleeve	Composite parts
10	Packing	Flexible graphite
11	Packing gland	WCB
12	Bolts	A193 B7
13	Nuts	A194 2H
14	Support	WCB
15	Gear	Component units

设计标准 Valve design

技术规范 Technical specification	
设计标准 Valve design	BS 5155, EN593, API 609 JIS B2064, JB/T 18527
结构长度 Face to Face	BS EN558-1, ANSI B16.10-92 JIS B2002-87, GB/T 12221-89
试验标准 Pressure test	BS 6755/EN12266, API 598 FIS B.2003-87, GB/T 13927-92
连接法兰 Flange Drilling	ANSI B165a MSS-SP-44, JIS B2212-2216, GB/T 9113.1 EN1092-2(1997), EN1092-1

主要技术参数 Main Technical Parameter

公称通径 Nominal diamater	DN(mm)	50-1200				
公称压力 Nominal pressure	PN(MPa)	0.6	1.0	1.6	2.5	4.0
试验压力 Ps(MPa) Test pressure	强度试验 Intensity Test	0.9	1.5	2.4	3.75	6.0
	密封试验 Seal test	0.68	1.1	1.76	2.75	4.4
	气密封试验 Air Test	0.6	0.6	0.6	0.6	0.6
适用介质 Applicable Medium	水、蒸气、油品、酸类腐蚀性等 Water, steam, oil products, corrosive acid, etc.					
适用温度 Applicable Temperature	碳钢 Carbon steel: -29℃~425℃ 不锈钢 Stainless steel: -40℃~600℃					

主要外形及连接尺寸 Main external and connecting dimensions(mm)

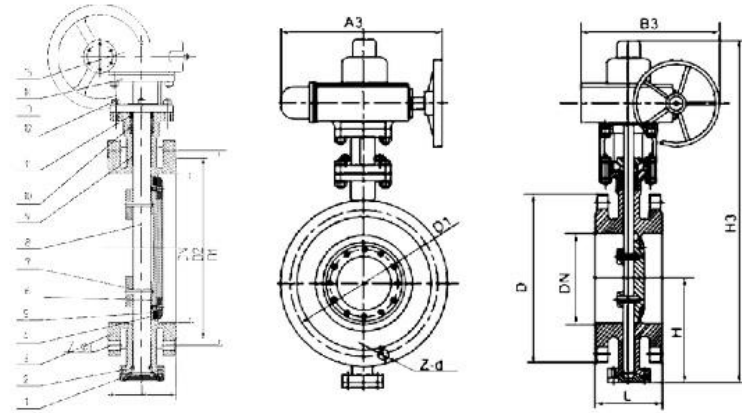
mm	Inch	L		Total height	Dd343H			Dd643H			Dd943H			PN1.6MPa			PN2.5MPa		
		Short	Long		H1	A1	B1	H2	A2	B2	H3	A3	B3	D1	D1	Z-d	D1	D1	Z-d
40	1 1/2"	106	140	330	330	180	200	625	245	72	530	250	255	150	110	4-18	150	110	4-18
50	2"	108	150	337	350	180	200	625	245	72	530	250	255	165	125	4-18	165	125	4-18
65	2 1/2"	112	170	368	370	180	200	625	245	72	530	250	255	185	145	4-18	185	145	8-18
80	3"	114	180	385	380	180	200	645	245	72	565	250	255	200	160	8-18	200	160	8-18
100	4"	127	190	420	420	180	200	675	355	92	600	250	255	220	180	8-18	235	190	8-22
125	5"	140	200	485	460	180	200	715	355	92	640	250	255	250	210	8-18	270	220	8-26
150	6"	140	210	570	555	270	280	800	355	92	705	300	315	285	240	8-22	300	250	8-26
200	8"	152	230	630	760	400	425	850	250	170	775	300	315	340	295	12-22	360	310	12-26
250	10"	165	250	740	830	400	425	925	250	170	945	300	315	405	355	12-26	425	370	12-30
300	12"	178	270	815	895	450	560	1035	450	220	1070	300	315	460	410	12-26	485	430	16-30
350	14"	190	290	920	950	450	560	1070	450	220	1140	300	315	520	470	16-26	555	490	16-33
400	16"	216	310	960	1190	535	580	1190	450	220	1210	300	315	580	525	16-30	620	550	16-36
450	18"	222	330	1070	1255	535	580	1250	650	280	1335	575	714	640	585	20-30	670	600	20-36
500	20"	229	350	1188	1305	535	580	1290	650	280	1415	575	714	715	650	20-33	730	660	20-36
600	24"	267	390	1340	1340	570	660	1455	850	380	1605	656	810	840	770	20-36	845	770	20-39
700	28"	292	430	1500	1520	750	550	1585	850	380	1844	656	810	910	840	24-26	960	875	24-42
800	32"	318	470	1650	1710	750	550	1700	1250	380	2040	656	810	1025	950	24-39	1085	990	24-48
900	36"	330	510	1860	1810	750	550	1865	1250	380	2255	785	863	1125	1050	28-39	1185	1090	28-48
1000	40"	410	550	1950	1960	900	750	2015	1250	380	2380	785	863	1255	1170	28-42	1320	1210	28-56
1200	48"	470	630	2585	2250	1000	925	2250	1250	380	2640	785	863	1485	1390	32-48	1530	1420	32-56
1400	56"	530	710	2900	2435	1000	925				2886			1685	1590	26-48	1755	1640	36-60
1500	60"	530	710	2800	2435	1000	925				2886			1785	1690	36-48	1855	1740	36-62
1600	64"	600	790	2900	2780	1000	925				3156			1930	1820	40-56	1975	1860	40-60
1800	72"	670	870	2745	3020	1100	980				3421			2130	2020	44-56	2195	2070	44-68
2000	80"	760	950	3030	3270	1100	980				3685			2345	2230	48-62	2425	2300	48-68

注: 连接法兰标准按照EN1092-2(1997)
Note: Standard for connection flanges: EN 1092-2(1997)

主要外形及连接尺寸 Main external and connecting dimensions(mm)

mm	L		H	Dd343H			Dd643H			Dd943H			PN4.0MPa		
	Short	Long		H1	A1	B1	H2	A2	B2	H3	A3	B3	D	D1	Z-d
50	108	150	112	350	180	200	625	250	170	530	250	255	165	125	4-18
65	112	170	115	370	270	280	625	250	170	530	250	255	185	145	8-18
80	114	180	120	380	270	280	645	250	170	565	250	255	200	160	8-18
100	127	190	138	420	270	280	675	250	170	600	250	255	235	190	8-22
125	140	200	164	460	380	420	715	450	220	640	250	255	270	220	8-23
150	140	210	175	555	380	420	800	450	220	705	300	315	300	250	8-26
200	152	230	208	760	400	425	850	450	220	775	300	315	375	320	12-30
250	165	250	243	830	400	425	925	450	280	945	300	315	450	385	12-33
300	178	270	263	895	450	560	1035	650	280	1070	300	315	515	450	16-33
350	190	290	310	950	450	560	1070	650	280	1140	300	315	580	510	16-36
400	216	310	350	1190	535	580	1190	650	280	1210	300	315	660	585	16-39
450	222	330	380	1255	535	580				1335	575	714	685	610	20-39
500	229	350	410	1305	535	580				1415	575	714	755	670	20-42

注: 连接法兰标准按照EN1092-2(1997)
Note: Standard for connection flanges: EN 1092-2(1997)



主要零件及材料 Main parts and materials

NO.	零件名称 Part name	材料 Material
1	Base support	Q235B
2	Bushing	Composite parts
3	Body	WCB
4	Pressing plate	Q235B
5	Seal ring	Steel plate+High temperature cardboard
6	Disc	WCB
7	Pins	45
8	Stem	2Cr13
9	Shaft sleeve	Composite parts
10	Packing	Flexible graphite
11	Packing gland	WCB
12	Bolts	A193 B7
13	Nuts	A194 2H
14	Support	WCB
15	Gear	Component units

设计标准 Valve design

技术规范 Technical specification	
设计标准 Valve design	BS 5155, EN593, API 609 JIS B2064, JB/T 18527
结构长度 Face to Face	BS EN558-1, ANSI B16.10-92 JIS B2002-87, GB/T 12221-89
试验标准 Pressure test	BS 6755/EN12266, API 598 FIS B2003-87, GB/T 13927-92
连接法兰 Flange Drilling	ANSI B165a MSS-SP-44, JIS B2212-2216, GB/T 9113.1, EN1092-1

主要外形及连接尺寸 Main external and connecting dimensions(mm)

mm	Inch	L		H	Dd343H			Dd643H			Dd943H			PN1.6MPa			PN2.5MPa			Total height (mm/inch)
		Short	Long		H1	A1	B1	H2	A2	B2	H3	A3	B3	D1	D1	Z-d	D1	D1	Z-d	
40	1 1/2"	106	140	107	330	180	200	625	245	72	530	250	255	150	110	4-18	150	110	4-18	330
50	2"	108	150	112	350	180	200	625	245	72	530	250	255	165	125	4-18	165	125	4-18	337
65	2 1/2"	112	170	115	370	180	200	625	245	72	530	250	255	185	145	4-18	185	145	8-18	368
80	3"	114	180	120	380	180	200	645	245	72	565	250	255	200	160	8-18	200	160	8-18	385
100	4"	127	190	138	420	180	200	675	355	92	600	250	255	220	180	8-18	235	190	8-22	420
125	5"	140	200	164	460	180	200	715	355	92	640	250	255	250	210	8-18	270	220	8-26	485
150	6"	140	210	175	555	270	280	800	355	92	705	300	315	285	240	8-22	300	250	8-26	570
200	8"	152	230	200	760	400	425	850	250	170	775	300	315	340	295	12-22	360	310	12-26	630
250	10"	165	250	243	830	400	425	925	250	170	945	300	315	405	355	12-26	425	370	12-30	740
300	12"	178	270	250	895	450	560	1035	450	220	1070	300	315	460	410	12-26	485	430	16-30	815
350	14"	190	290	280	950	450	560	1070	450	220	1140	300	315	520	470	16-26	555	490	16-33	920
400	16"	216	310	305	1190	535	580	1190	450	220	1210	300	315	580	525	16-30	620	550	16-36	960
450	18"	222	330	350	1255	535	580	1250	650	280	1335	315	315	640	585	20-30	670	600	20-36	1070
500	20"	229	350	380	1305	535	580	1290	650	280	1415	315	315	715	650	20-33	730	660	20-36	1188
600	24"	267	390	445	1340	570	660	1455	850	380	1605	656	810	840	770	20-36	845	770	20-39	1340
700	28"	292	430	480	1520	750	550	1585	850	380	1844	656	810	910	840	24-26	960	875	24-42	1500
800	32"	318	470	530	1710	750	550	1700	1250	380	2040	656	810	1025	950	24-39	1085	990	24-48	1650
900	36"	330	510	580	1810	750	550	1865	1250	380	2255	785	863	1125	1050	28-39	1185	1090	28-48	1860
1000	40"	410	550	650	1960	900	750	2015	1250	380	2380	785	863	1255	1170	28-42	1320	1210	28-56	1950
1200	48"	470	630	760	2250	1000	925	2250	1250	380	2640	785	863	1485	1390	32-48	1530	1420	32-56	2585
1400	56"	530	710	850	2435	1000	925				2886			1685	1590	26-48	1755	1640	36-60	2900
1500	60"	530	710	900	2435	1000	925				2886			1785	1690	36-48	1855	1740	36-62	2800
1600	64"	600	790	1030	2780	1000	925				3156			1930	1820	40-56	1975	1860	40-60	2900
1800	72"	670	870	1230	3020	1100	980				3421			2130	2020	44-56	2195	2070	44-68	2745
2000	80"	760	950	1350	3270	1100	980				3685			2345	2230	48-62	2425	2300	48-68	3030

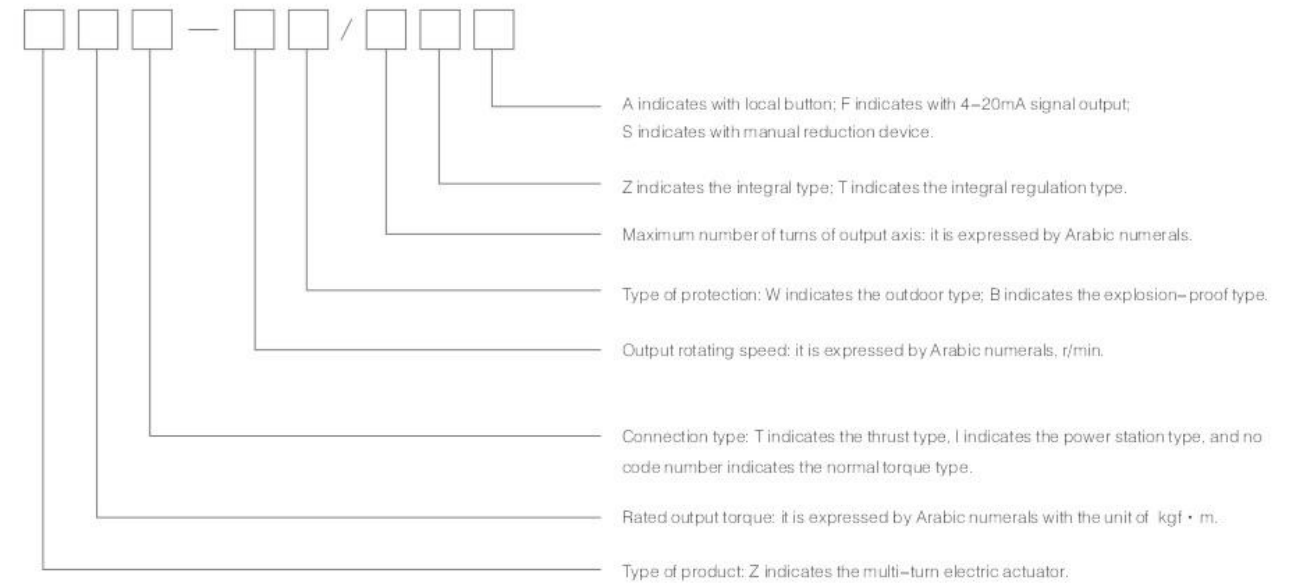
General Instruction

Multi-turn valve electric actuator, known by the name of Z-type, which is used for opening, closing or adjusting the valves, is an essential actuating device which can be used for remote control, centralized control and self control to the valves, with features of comprehensive function, reliable performance, advanced control system, small volume, light weight, convenient application and maintenance and so on. It can be applicable to the valves, whose open-close parts will move in a straight line, such as gate valve, stop valve, diaphragm valve, anchor gate, water gate valve and so on.

The actuator can be used in the industries like electric power, metallurgy, petroleum, chemical engineering, paper-making, sewage disposal and so on.

There are many types for multi-turn electric actuator: Outdoor type, explosion-proof type, integral type, integral-regulation type, integral explosion proof type, integral-regulation explosion proof type and so on. It can be divided into torque type and thrust type according to the connection type.

Presentation of Model



Opening Environment and Major Technical Parameters

- 3.1 Power supply: general: Single-phase 220V, three-phase 380V(50Hz), long distance DC24V Special: single-phase 110v, three-phase 415V, 660V, (50Hz, 60Hz)
- 3.2 Operating environment:
 - 3.2.1 Ambient temperature: 20 ~ +60°C(Special order 60 ~ +80°C)
 - 3.2.2 Relative humidity: 95%(When 25°C)
 - 3.2.3.1 The outdoor type can be used in the places without inflammable/explosive and corrosive medium;
 - 3.2.3.2 There are two types of explosion-proof products: d I can be applicable to non-excavating working area for coal mine, and d II BT4, which is applicable to the environment with IIA, IIB grade T1 ~ T4 explosive gas mixture, can be used in the factory. (For details refer to GB3836.1)
 - 3.2.4 Degree of protection: the outdoor type and explosion-proof type is IP55, IP65, IP67.
- 3.3 Working time: 10 minutes for short time(Special order can reach to 15-60 minutes)
- 3.4 Refer to table 1 for the model and major performance parameter.

Table 1

Model & Spec.	Torque (N·m)	Thrust (KN)	Maximum diameter of valve stem(mm)	Manual ratio	Output Rotation speed (r/min)	Motor power (KW)	Current (A)	Referential weight (kg)
Z5	50	20	28	1:1	12/36	0.12/0.18	0.57/0.83	28
Z10	100	40	28	1:1	24/36	0.25/0.37	1.03/1.38	45
Z15	150	40	28	1:1	24/36	0.37/0.55	1.38/2.2	46
Z20	200	100	40	1:1	18/36	0.37/0.75	1.38/2.62	56
Z30	300	100	40	1:1	18/36	0.55/1.1	2.2/4	58
Z45	450	150	48	1:1/20:1	24/36	1.1/1.5	4/4.12	110
Z60	600	150	48	1:1/20:1	24/36	1.5/2.2	4.12/5.25	112
Z90	900	200	60	1:1/25:1	24/36	2.2/3	5.25/7.9	140
Z120	1200	200	60	1:1/25:1	24/36	3/4	7.9/8.87	142
Z180	1800	325	70	22.5:1	18/36	4/7.5	8.87/15.6	250
Z250	2500	325	70	22.5:1	18/36	5.5/10	12.05/20.5	255
Z350	3500	700	80	20:1	18/24	7.5/10	15.6/20.5	330
Z500	5000	700	80	20:1	18/24	10/15	20.5/26.6	350

Note: If user requires, we could provide the products with other rotation speed: 12/18/24/30/36/42/48/60(r/min)

Normally, we provide the products with treble counters. If the number of turns is large, give clear indication of it when placing an order, we can provide the products with quadruple counters.

4. Outline and connection dimension

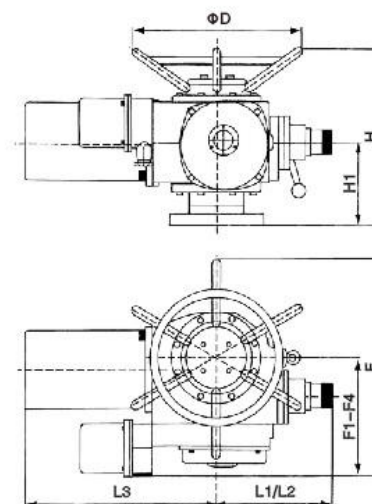
4.1 Outline and outline dimension(refer to Figure 1 and Table 2)

Table 2 Outline Dimension

Model	H	H1	L1	L2	L3	F	F1	F2	F3	F4	ΦD
Z5	271	96	158	226	249	158	259	-	310	-	316
Z10-Z30	316	130	200	238	295	200	255	317	349	374	400
Z45/Z60	415	195	277	277	394	230	275	391	369	394	460
Z90/Z120	453	195	281	281	412	278	310	426	404	429	556
Z180/Z250	585	250	320	320	474	295	360	476	455	476	320
Z350/Z500	717	280	399	399	1076	433	417	442	417	542	565

Note: 1) L1 is outdoor type/explosion-proof type; L2 is integral type/integral explosion;

2) F1 is outdoor type; F2 is explosion-proof type; F3 is integral type; F4 is integral explosion-proof type/integral regulation explosion-proof type.

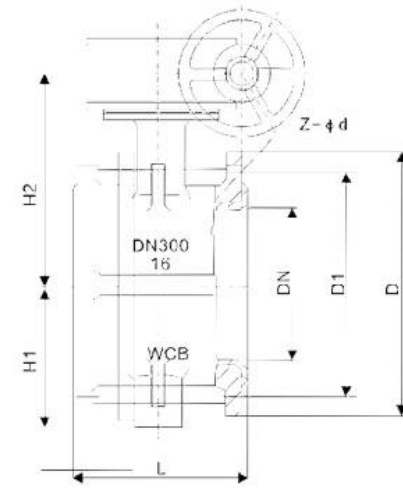


Structure

Z type electric actuator is consisted of motor, speed reducer, torque controller, motion controller, opening position indicator, manual-electric shifter, hand wheel and electric parts. The conventional type is sealing with ground surfaces; the outdoor type applies the round rabbet and o-seal ring seal; The explosion-proof type has the same sealing structure as the outdoor type, is added by the explosion-proof surface, and applies explosion-proof type connecting box and three phase motor used for the outdoors, anti corrosion, explosion-proof type electric valve of the YBDF series.

Trouble trouble shooting

No.	Trouble	Cause	Trouble shooting
1	The motor can not start	1.The power line disconnects. 2.Control circuit is faulty the motion controller and torque controller break down	1. Check the power line 2. Remove the fault of motioncontroller or torque controller
2	The turning direction of output axis can not meet the specification	The phase sequence of power supply has been connected wrongly	Exchange any two power lines
3	The motor is overheating	1. The continuous operating time is too Long 2. The motor can not match the electricactuator 3. One phase conductors disconnects	1. Stop running , and make the Motor cool down 2. Check the matching situation 3. Check the power line
4	The motor stops when running	1. The overload torque controller of electric actuator actuates 2. The valve is faulty	1. Increase the setting torque 2. Check the valve
5	When the valve is in place, the motor can not stop running or the light is off	1. The motion controller and torque controller are faulty 2. The motion controller has been adjusted improperly	1. Check the motion or torque controller 2. Readjust the motion controller
6	No signal of valve location in distant place	1. Remote-transmitting potentiometer is faulty 2. The set screw for gear of the potentiometer looses	1. Check and replace the potentiometer 2. Screw down the set screw for gear of the potentiometer



主要零件及材料 Main parts and materials

零件名称 Part name	材料 Material
上下阀体 Up and low valve body	铸铁 Cast iron、铸钢 Cast steel、 不锈钢 Stainless steel、衬 Lining/F4、F46
阀座 Valve seat	F4/F46
带杆碟板 With lever dish plate	全衬 Full lining (WCB包衬) F4/F46、 半衬 Lining/Half lining (不锈钢) F4/F46
衬垫 Liner	硅橡胶 Silicone rubber
蜗轮手柄 Worm handle	QT400-15球墨铸铁、铝合金 Ductile cast iron

衬氟蝶阀标准 PTFE-Lined Butterfly Valve Standard

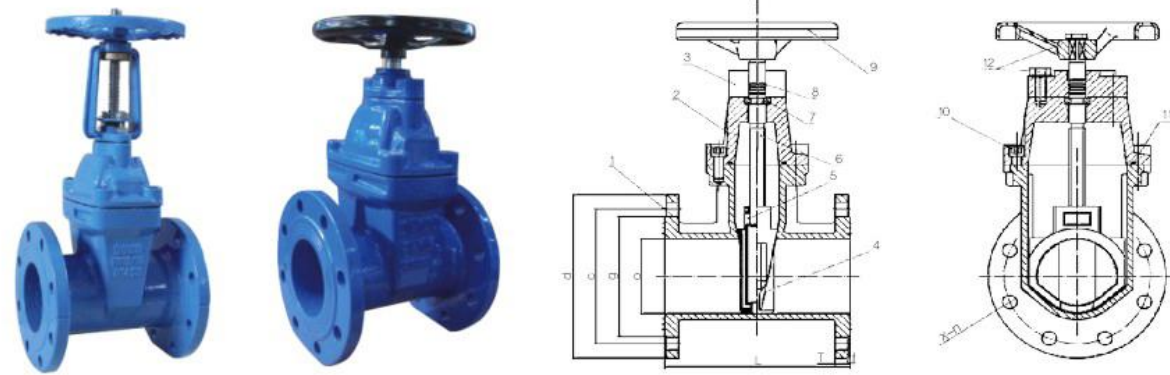
技术规范 Technical specification	
设计标准 Design standard	GB/T 12238
结构长度 Structure length	GB12221
法兰标准 Flange standard	JB/T 79-94 GB9113.1-26
检验试验 Inspection and test	GB/T 13927
驱动方式 Drive mode	蜗轮 Worm、手动 Manual 电动 Electric、气动 Pneumatic

主要外形及连接尺寸 Main external and connecting dimensions(mm)

公称通径 Nominal diameter DN	外形尺寸 Shape size			连接尺寸 Connection dimension					
	L	H2	H1	1.0MPa			1.6MPa		
				D	D1	Z-Φd	D	D1	Z-Φd
50	108	143	85	160	125	4-Φ18	160	125	4-Φ18
65	112	157	93	180	145	4-Φ18	180	145	4-Φ18
80	114	178	100	195	160	4-Φ18	195	160	8-Φ18
100	127	185	110	215	180	8-Φ18	215	180	8-Φ18
125	140	206	120	245	210	8-Φ18	245	210	8-Φ18
150	140	225	160	280	240	8-Φ23	280	240	8-Φ23
200	152	275	245	335	295	8-Φ23	335	295	12-Φ23
250	165	326	260	390	350	12-Φ23	405	355	12-Φ26
300	178	333	300	440	400	12-Φ23	460	410	12-Φ26
350	190	393	320	500	460	16-Φ23	520	470	16-Φ26
400	216	438	330	560	515	16-Φ26	580	525	16-Φ30
450	222	488	380	615	565	20-Φ26	640	585	20-Φ30
500	229	540	390	670	620	20-Φ26	715	650	20-Φ33
600	267	615	450	780	725	20-Φ30	840	770	20-Φ36
700	292	660	480	895	840	24-Φ30	910	840	24-Φ36
800	318	720	580	1010	950	24-Φ34	1020	950	24-Φ39
900	330	785	625	1110	1050	28-Φ34	1120	1050	28-Φ39
1000	410	900	660	1220	1160	28-Φ34	1255	1170	28-Φ42
1200	470	1070	780	1450	1380	32-Φ41	1485	1390	32-Φ48

闸阀系列
Gate Valve Series



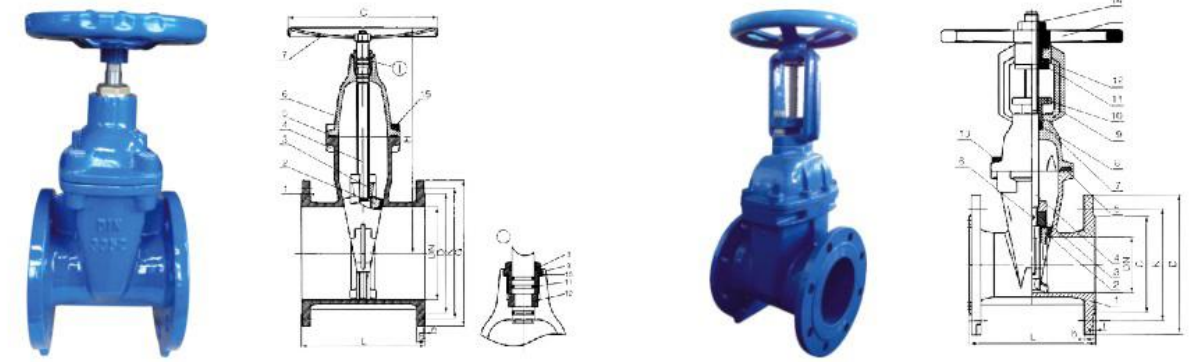


主要零件材质 Material Specifications

NO.	部件 Parts	材料 Material
1	阀体 Body	球墨铸铁 DI
2	阀瓣 Disc	球墨铸铁+橡胶DI+EPDM/NBR
3	阀杆螺母 Stem nut	黄铜 Brass
4	阀杆 Stem	45# 2Cr13 304 铜杆 Brass
5	中头垫圈 Gasket	橡胶 EPDM
6	阀盖 Bonnet	球墨铸铁 DI
7	手轮 Handwheel	球墨铸铁 DI
8	锁紧螺母 Nut	黄铜 Brass
9	密封圈 Sealing ring	四氟 PTFE
10	O型圈 O-ring	橡胶 EPDM
11	定位环 Locating ring	黄铜 Brass

主要外形及连接尺寸 Main external and connecting dimensions(mm)

DN	L	d	C	x-n	T	f	g
50	178	165	125	4-18	19	2	99
65	190	185	145	4-18	19	2	118
80	203	200	160	4-18 8-18	19	3	132
100	229	220	180	8-18	19	3	156
125	254	250	210	8-18	19	3	184
150	267	285	240	8-23	19	3	211
200	292	340	295	8-23 12-23	21	3	266
250	330	395	350 355	12-23 12-25	22	3	319
300	355	445	400 410	12-23 12-25	25	4	370
350	381	515	460 470	16-23 16-25	25	4	430
400	405	580	515 525	16-26 16-31	28	4	475
450	432	650	565 585	20-26 20-31	29	5	530
500	457	670 715	620 650	20-26 20-34	29	5	580
600	508	780 810	725 770	20-30 20-36	38	5	680



主要零件及材料 Main parts and materials

零件名称 Part name	材料 Material
阀体 Body Materials	球墨铸铁 DI
阀瓣 Disc	球墨铸铁+橡胶DI+EPDM/NBR
阀杆 Stem	45# 2Cr13 304 铜杆 Brass
阀盖 Bonnet	球墨铸铁 DI
手轮 Handwheel	球墨铸铁 DI

设计标准 Valve design

技术规范 Technical specification	
设计标准 Valve design	DIN3352-F4
结构长度 Face to Face	DIN3202, ISO5752
试验标准 Pressure test	DIN3230
连接法兰 Flange Drilling	DIN2501/EN1092

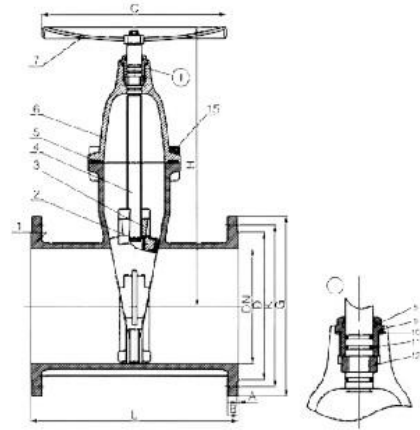
主要外形及连接尺寸 Main external and connecting dimensions(mm)

DN	L	D		K		G		A	B	C	N-Φd		H
		PN10	PN16	PN10	PN16	PN10	PN16				PN10	PN16	
40	140	150	150	110	110	88	88	3	19	180	4-Φ19	4-Φ19	240
50	150	165	165	125	125	102	102	3	19	180	4-Φ19	4-Φ19	250
65	170	185	185	145	145	122	122	3	19	180	4-Φ19	4-Φ19	280
80	180	200	200	160	160	138	138	3	19	200	8-Φ19	8-Φ19	330
100	190	220	220	180	180	158	158	3	19	200	8-Φ19	8-Φ19	361
125	200	250	250	210	210	188	188	3	19	250	8-Φ19	8-Φ19	415
150	210	285	285	240	240	212	212	3	19	250	8-Φ23	8-Φ23	460
200	230	340	340	295	295	268	268	3	20	280	8-Φ23	12-Φ23	572
250	250	395	405	355	355	320	320	3	22	320	12-Φ23	12-Φ28	658
300	270	445	460	410	410	378	378	4	25	350	12-Φ23	12-Φ28	758
350	290	505	520	470	470	438	438	4	27	450	16-Φ23	16-Φ28	800
400	310	565	580	515	525	490	490	4	28	550	16-Φ27	16-Φ31	900
500	350	670	715	620	650	595	610	4	32	650	20-Φ27	20-Φ34	1100
600	390	780	840	725	770	690	727	4	36	660	20-Φ31	20-Φ37	1240

主要外形及连接尺寸 Main external and connecting dimensions(mm)

DN	L	D		K		G		A	B	C	N-Φd	
		PN10	PN16	PN10	PN16	PN10	PN16				PN10	PN16
40	140	150	150	110	110	88	88	3	19	180	4-Φ19	4-Φ19
50	150	165	165	125	125	102	102	3	19	180	4-Φ19	4-Φ19
65	170	185	185	145	145	122	122	3	19	180	4-Φ19	4-Φ19
80	180	200	200	160	160	138	138	3	19	200	8-Φ19	8-Φ19
100	190	220	220	180	180	158	158	3	19	200	8-Φ19	8-Φ19
125	200	250	250	210	210	188	188	3	19	250	8-Φ19	8-Φ19
150	210	285	285	240	240	212	212	3	19	250	8-Φ23	8-Φ23
200	230	340	340	295	295	268	268	3	20	280	8-Φ23	12-Φ23
250	250	395	405	350	355	320	320	3	22	320	12-Φ23	12-Φ23
300	270	445	460	400	410	370	378	4	25	350	12-Φ23	12-Φ28
400	310	565	580	515	525	482	490	4	28	550	16-Φ27	16-Φ31

德标软密封闸阀F5
DIN Soft-seal Gate Valve(F5)



主要零件材质 Material Specifications

NO.	部件 Parts	材料 Material
1	阀体 Body	球墨铸铁 DI
2	阀瓣 Disc	球墨铸铁+橡胶 DI+EPDM/NBR
3	阀杆螺母 Stem nut	黄铜 Brass(HPb59-1)
4	阀杆 Stem	不锈钢 2Cr13
5	中头垫圈 Gasket	橡胶 EPDM
6	阀盖 Bonnet	球墨铸铁 DI
7	手轮 Handwheel	球墨铸铁 DI
8	防尘圈 Dust ring	橡胶 EPDM
9	锁紧螺母 nut	黄铜 Brass(HPb59-1)
10	密封圈 Sealing ring	四氟 PTFE
11	O型圈 O-ring	橡胶 EPDM
12	定位环 Locking ring	黄铜 Brass(HPb59-1)

设计标准 Valve design

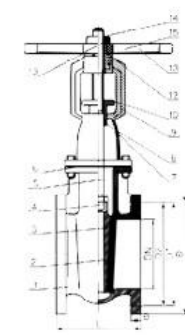
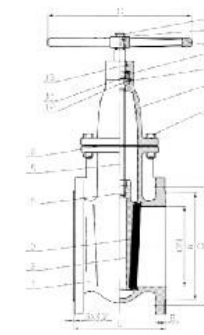
技术规范 Technical specification	
设计标准 Valve design	DIN3352-F5
结构长度 Face to Face	DIN3202-F5, ISO5752
试验标准 Pressure test	DIN3230
连接法兰 Flange Drilling	DIN2501/EN1092

主要外形及连接尺寸 Main external and connecting dimensions(mm)

DN	L	D		K		G		A	B	C	N-Φd		H
		PN10	PN16	PN10	PN16	PN10	PN16				PN10	PN16	
50	250	165	165	125	125	102	102	3	19	180	4-Φ19	4-Φ19	250
65	270	185	185	145	145	122	122	3	19	180	4-Φ19	4-Φ19	280
80	280	200	200	160	160	138	138	3	19	200	8-Φ19	8-Φ19	330
100	300	220	220	180	180	158	158	3	19	200	8-Φ19	8-Φ19	361
125	325	250	250	210	210	188	188	3	19	250	8-Φ19	8-Φ19	415
150	350	285	285	240	240	212	212	3	19	250	8-Φ23	8-Φ23	460
200	400	340	340	295	295	268	268	3	20	280	8-Φ23	12-Φ23	572
250	450	395	405	350	355	320	320	3	22	320	12-Φ23	12-Φ28	658
300	500	445	460	400	410	370	378	4	25	350	12-Φ23	12-Φ28	758

德标铸铁硬密封闸阀F4
DIN Cast Iron Hard Seal Gate Valve F4

闸阀系列
Gate Valve Series



主要零件及材料 Main parts and materials

NO.	部件 Parts	材料 Material
1	阀体 Body	球墨铸铁 DI
2	阀瓣 Disc	球墨铸铁 DI
3	螺母 Nut	黄铜 Brass
4	密封面环 Sealing face ring	黄铜 Brass
5	阀杆 Stem	不锈钢 2Cr13
6	阀盖垫片 Bonnet gasket	橡胶 NBR
7	螺栓 Bolt	Q235号钢 Q235
8	阀盖 Bonnet	球墨铸铁 DI
9	定位环 Locking ring	黄铜 Brass
10	铜套 Copper bush	黄铜 Brass
11	O型圈 O-ring	橡胶 EPDM
12	垫片 Gasket	橡胶 EPDM
13	防尘圈 Dust ring	橡胶 NBR
14	垫片 Gasket	不锈钢 SS304
15	螺栓 Bolt	不锈钢 SS304
16	手轮 Handwheel	球墨铸铁 DI

NO.	部件 Parts	材料 Material
1	阀体 Body	球墨铸铁/灰铁 DI/CI
2	阀瓣 Disc	球墨铸铁 DI
3	密封面 Sealing face ring	黄铜 Brass
4	螺母 Nut	黄铜 Brass
5	阀杆 Stem	不锈钢 2Cr13
6	阀盖垫片 Bonnet gasket	橡胶 EPDM
7	阀盖 Bonnet	球墨铸铁/灰铁 DI/CI
8	填料 Packing	石墨环 Graphite ring
9	支架 Yoke	球墨铸铁 DI
10	压铁 Weight	球墨铸铁 DI
11	销子 Pin	不锈钢 Stainless steel
12	锁螺母 Locking nut	球墨铸铁 DI
13	手轮 Handwheel	球墨铸铁 DI
14	锁螺母 Locking nut	40号钢 40Cr
15	螺母 Nut	黄铜 Brass

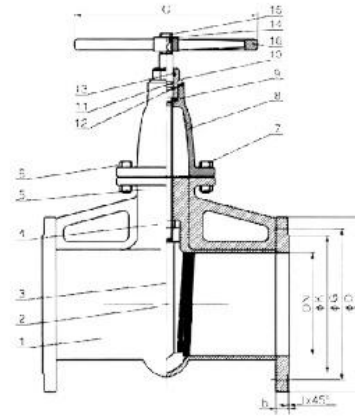
设计标准 Valve design

技术规范 Technical specification	
设计标准 Valve design	DIN3352-F4
结构长度 Face to Face	DIN3202, ISO5752
试验标准 Pressure test	DIN3230
连接法兰 Flange Drilling	DIN2501/EN1092

主要外形及连接尺寸 Main external and connecting dimensions(mm)

DN	L	D		D1		D2		B		C	n-Φd	
		PN10	PN16	PN10	PN16	PN10	PN16	DI	GI		PN10	PN16
40	140	150	150	110	110	87	87	19	18	180	4-Φ19	4-Φ19
50	150	165	165	125	125	102	102	19	20	180	4-Φ19	4-Φ19
65	170	185	185	145	145	122	122	19	20	180	4-Φ19	4-Φ19
80	180	200	200	160	160	138	138	19	22	200	4-Φ19	8-Φ19
100	190	220	220	180	180	158	158	19	24	200	8-Φ19	8-Φ19
125	200	250	250	210	210	188	188	19	26	250	8-Φ19	8-Φ19
150	210	285	285	240	240	212	212	19	26	250	8-Φ23	8-Φ23
200	230	340	340	295	295	268	268	20	180	280	8-Φ23	12-Φ23
250	250	395	405	350	355	320	320	22	180	320	12-Φ23	12-Φ27
300	270	445	460	400	410	370	378	24.5	180	350	12-Φ23	12-Φ27

德标铸铁硬密封闸阀F5
DIN Cast Iron Hard Seal Gate Valve F5



主要零件及材料 Main parts and materials

NO.	部件 Parts	材料 Material
1	阀体 Body	球墨铸铁 DI
2	阀瓣 Disc	球墨铸铁 DI
3	密封面环 Sealing face ring	黄铜 Brass
4	螺母 Nut	黄铜 Brass
5	阀杆 Stem	不锈钢 2Cr13
6	阀盖垫片 Bonnet gasket	橡胶 NBR
7	螺栓 Bolt	Q235号钢 Q235
8	阀盖 Bonnet	球墨铸铁 DI
9	定位环 Locking ring	黄铜 Brass
10	铜套 Copper bush	黄铜 Brass
11	O型圈 O-ring	橡胶 EPDM
12	密封圈 Sealing ring	四氟 PTFE
13	中头垫 Dust ring	橡胶 NBR
14	垫片 Gasket	不锈钢 SS304
15	螺栓 Bolt	不锈钢 SS304
16	手轮 Handwheel	球墨铸铁 DI

设计标准 Valve design

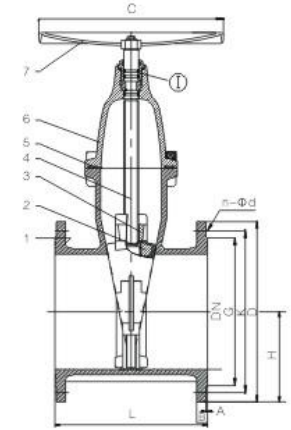
技术规范 Technical specification	
设计标准 Valve design	DIN3352-F5
结构长度 Face to Face	DIN3202, ISO5752
试验标准 Pressure test	DIN3230
连接法兰 Flange Drilling	DIN2501/EN1092

主要外形及连接尺寸 Main external and connecting dimensions(mm)

DN	L	D		D1		D2		B		C	n-Φd	
		PN10	PN16	PN10	PN16	PN10	PN16	DI	GI		PN10	PN16
50	250	165	165	125	125	102	102	19	20	180	4-Φ19	4-Φ19
65	270	185	185	145	145	122	122	19	20	180	4-Φ19	4-Φ19
80	280	200	200	160	160	138	138	19	22	200	4-Φ19	8-Φ19
100	300	220	220	180	180	158	158	19	24	200	8-Φ19	8-Φ19
125	325	250	250	210	210	188	188	19	26	250	8-Φ19	8-Φ19
150	350	285	285	240	240	212	212	19	26	250	8-Φ23	8-Φ23
200	400	340	340	295	295	268	268	20	180	280	8-Φ23	12-Φ23
250	450	395	405	350	355	320	320	22	180	320	12-Φ23	12-Φ27
300	500	445	460	400	410	370	378	24.5	200	350	12-Φ23	12-Φ27

英标软密封闸阀
BS Soft Seal Gate Valve

闸阀系列
Gate Valve Series



主要零件及材料 Main parts and materials

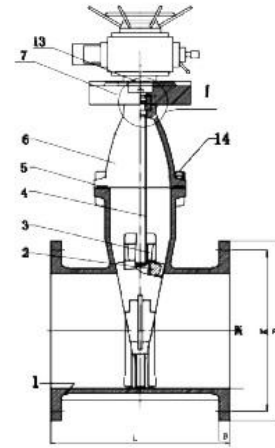
NO.	部件 Parts	材料 Material
1	阀体 Body	球墨铸铁 GGG50
2	阀瓣 Disc	球墨铸铁+橡胶 GGG50+EPDM+NBR
3	阀杆螺母 Stem nut	黄铜 Brass (HPb59-1)
4	阀杆 Stem	不锈钢 2Cr13
5	中口垫圈 Gasket	橡胶 EPDM
6	阀盖 Bonnet	球墨铸铁 GGG50
7	手轮 Handwheel	球墨铸铁 GGG50
8	螺栓 Bolt	不锈钢 Stainless steel
9	喷涂 Spraying	环氧树脂喷涂 Epoxy coating Ral 5017
10	关闭方向 Close the direction	顺时针关闭 Shall close clockwise

设计标准 Valve design

技术规范 Technical specification	
设计标准 Valve design	BS5163
结构长度 Face to Face	EN558
试验标准 Pressure test	EN12266
连接法兰 Flange Drilling	BS4504

主要外形及连接尺寸 Main external and connecting dimensions(mm)

DN	L	D		K		A	b		N-Φd		H
		PN16	PN25	PN16	PN25		PN16	PN25	PN16	PN25	
40	165	150	150	110	110	3	19	20	4-Φ19	4-Φ19	72.5
50	178	165	165	125	125	3	19	20	4-Φ19	4-Φ19	72.5
65	190	185	185	145	145	3	19	22	4-Φ19	8-Φ19	85.5
80	203	200	200	160	160	3	19	22	8-Φ19	8-Φ19	93
100	229	220	235	180	190	3	19	24	8-Φ19	8-Φ23	100
125	254	250	270	210	220	3	19	28	8-Φ19	8-Φ26	125
150	267	285	300	240	250	3	19	30	8-Φ23	8-Φ26	137.5
200	292	340	360	295	310	3	20	32	12-Φ23	12-Φ26	160
250	330	405	435	355	370	3	22	35	12-Φ28	12-Φ30	192.5
300	356	460	485	410	430	4	25	38	12-Φ28	12-Φ30	225.5
350	381	520	-	470	-	4	27	-	16-Φ28	-	255
400	406	580	-	525	-	4	28	-	16-Φ31	-	290
450	432	640	-	585	-	4	29	-	20-Φ31	-	350
500	457	715	-	650	-	4	32	-	20-Φ34	-	400
600	508	830	-	770	-	5	36	-	20-Φ37	-	320



主要零件及材料 Main parts and materials

NO.	部件 Parts	材料 Material
1	阀体 Body	球墨铸铁 GGG50
2	阀瓣 Disc	球墨铸铁+橡胶 GGG50+EPDM+NBR
3	阀杆螺母 Stem nut	黄铜 Brass (HPb59-1)
4	阀杆 Stem	不锈钢 2Cr13
5	中口垫圈 Gasket	橡胶 EPDM
6	阀盖 Bonnet	球墨铸铁 GGG50

设计标准 Valve design

技术规范 Technical specification	
设计标准 Valve design	BS5163
结构长度 Face to Face	EN558
试验标准 Pressure test	EN12266
连接法兰 Flange Drilling	BS4504

主要外形及连接尺寸 Main external and connecting dimensions(mm)

DN	L	D		K		A	b		N-Φd		Electric Actuator Code
		PN16	PN25	PN16	PN25		PN16	PN25	PN16	PN25	
40	165	150	150	110	110	3	19	20	4-Φ19	4-Φ19	Z5
50	178	165	165	125	125	3	19	20	4-Φ19	4-Φ19	Z10
65	190	185	185	145	145	3	19	22	4-Φ19	8-Φ19	Z10
80	203	200	200	160	160	3	19	22	8-Φ19	8-Φ19	Z15
100	229	220	235	180	190	3	19	24	8-Φ19	8-Φ23	Z20
125	254	250	270	210	220	3	19	28	8-Φ19	8-Φ26	Z20
150	267	285	300	240	250	3	19	30	8-Φ23	8-Φ26	Z20
200	292	340	360	295	310	3	20	32	12-Φ23	12-Φ26	Z30
250	330	405	435	355	370	3	22	35	12-Φ28	12-Φ30	Z30
300	356	460	485	410	430	4	25	38	12-Φ28	12-Φ30	Z45/Z60
350	381	520	-	470	-	4	27	-	16-Φ28	-	Z90
400	406	580	-	525	-	4	28	-	16-Φ31	-	Z120
450	432	640	-	585	-	4	29	-	20-Φ31	-	Z120
500	457	715	-	650	-	4	32	-	20-Φ34	-	Z180
600	508	830	-	770	-	5	36	-	20-Φ37	-	Z250
700	610	910	-	840	-	-	39.5	-	24-Φ37	-	Z350
800	660	1025	-	950	-	-	43	-	24-Φ41	-	Z350
900	711	1125	-	1050	-	-	46.5	-	28-Φ41	-	Z500
1000	813	1255	-	1170	-	-	50	-	28-Φ44	-	Z800

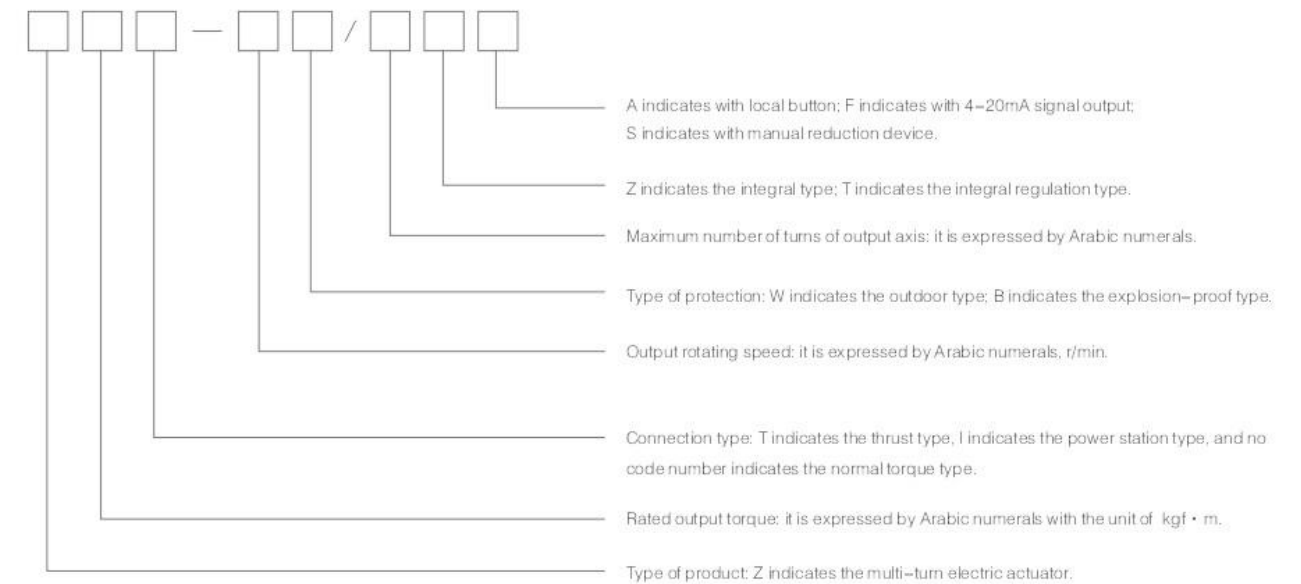
General Instruction

Multi-turn valve electric actuator, known by the name of Z-type, which is used for opening, closing or adjusting the valves, is an essential actuating device which can be used for remote control, centralized control and self control to the valves, with features of comprehensive function, reliable performance, advanced control system, small volume, light weight, convenient application and maintenance and so on. It can be applicable to the valves, whose open-close parts will move in a straight line, such as gate valve, stop valve, diaphragm valve, anchor gate, water gate valve and so on.

The actuator can be used in the industries like electric power, metallurgy, petroleum, chemical engineering, paper-making, sewage disposal and so on.

There are many types for multi-turn electric actuator: outdoor type, explosion-proof type, integral type, integral-regulation type, integral explosion proof type, integral-regulation explosion proof type and so on. It can be divided into torque type and thrust type according to the connection type.

Presentation of Model



Opening Environment and Major Technical Parameters

- 3.1 Power supply: general: Single-phase 220V, three-phase 380V(50Hz), long distance DC24V Special: single-phase 110v, three-phase 415V, 660V, (50Hz, 60Hz)
- 3.2 Operating environment:
 - 3.2.1 Ambient temperature: 20 ~ +60°C (Special order 60 ~ +80°C)
 - 3.2.2 Relative humidity: 95% (When 25°C)
 - 3.2.3.1 The outdoor type can be used in the places without inflammable/explosive and corrosive medium;
 - 3.2.3.2 There are two types of explosion-proof products: d I can be applicable to non-excavating working area for coal mine, and d II BT4, which is applicable to the environment with IIA, IIB grade T1 ~ T4 explosive gas mixture, can be used in the factory. (For details refer to GB3836.1)
 - 3.2.4 Degree of protection: the outdoor type and explosion-proof type is IP55, IP65, IP67.
- 3.3 Working time: 10 minutes for short time (Special order can reach to 15-60 minutes)
- 3.4 Refer to table 1 for the model and major performance parameter.

Table 1

Model & Spec.	Torque (N·m)	Thrust (KN)	Maximum diameter of valve stem (mm)	Manual ratio	Output Rotation speed (r/min)	Motor power (KW)	Current (A)	Referential weight (kg)
Z5	50	20	28	1:1	12/36	0.12/0.18	0.57/0.83	28
Z10	100	40	28	1:1	24/36	0.25/0.37	1.03/1.38	45
Z15	150	40	28	1:1	24/36	0.37/0.55	1.38/2.2	46
Z20	200	100	40	1:1	18/36	0.37/0.75	1.38/2.62	56
Z30	300	100	40	1:1	18/36	0.55/1.1	2.2/4	58
Z45	450	150	48	1:1/20:1	24/36	1.1/1.5	4/4.12	110
Z60	600	150	48	1:1/20:1	24/36	1.5/2.2	4.12/5.25	112
Z90	900	200	60	1:1/25:1	24/36	2.2/3	5.25/7.9	140
Z120	1200	200	60	1:1/25:1	24/36	3/4	7.9/8.87	142
Z180	1800	325	70	22.5:1	18/36	4/7.5	8.87/15.6	250
Z250	2500	325	70	22.5:1	18/36	5.5/10	12.05/20.5	255
Z350	3500	700	80	20:1	18/24	7.5/10	15.6/20.5	330
Z500	5000	700	80	20:1	18/24	10/15	20.5/26.6	350

Note: If user requires, we could provide the products with other rotation speed: 12/18/24/30/36/42/48/60(r/min)

Normally, we provide the products with treble counters. If the number of turns is large, give clear indication of it when placing an order, we can provide the products with quadruple counters.

4. Outline and connection dimension

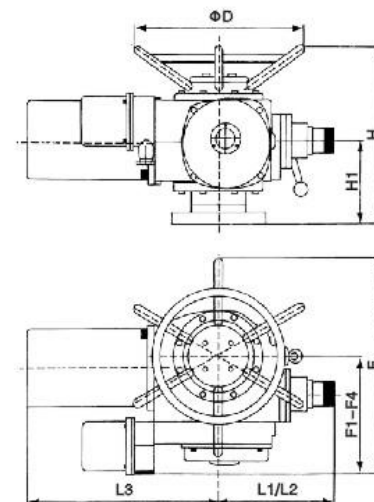
4.1 Outline and outline dimension(Refer to Figure 1 and Table 2)

Table 2 Outline Dimension

Model	H	H1	L1	L2	L3	F	F1	F2	F3	F4	ΦD
Z5	271	96	158	226	249	158	259	-	310	-	316
Z10-Z30	316	130	200	238	295	200	255	317	349	374	400
Z45/Z60	415	195	277	277	394	230	275	391	369	394	460
Z90/Z120	453	195	281	281	412	278	310	426	404	429	556
Z180/Z250	585	250	320	320	474	295	360	476	455	476	320
Z350/Z500	717	280	399	399	1076	433	417	442	417	542	565

Note: 1) L1 is outdoor type/explosion-proof type; L2 is integral type/integral explosion;

2) F1 is outdoor type; F2 is explosion-proof type; F3 is integral type; F4 is integral explosion-proof type/integral regulation explosion-proof type.

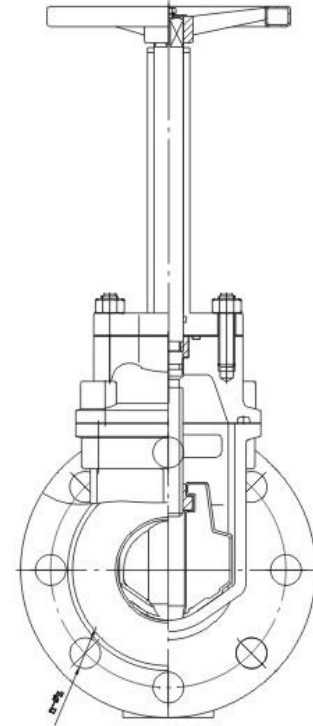
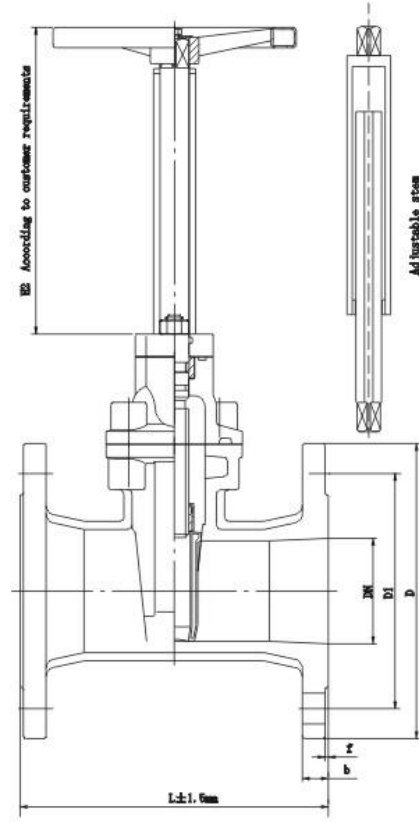


Structure

Z type electric actuator is consisted of motor, speed reducer, torque controller, motion controller, opening position indicator, manual-electric shifter, hand wheel and electric parts. The conventional type is sealing with ground surfaces; the outdoor type applies the round rabbet and o-seal ring seal; The explosion-proof type has the same sealing structure as the outdoor type, is added by the explosion-proof surface, and applies explosion-proof type connecting box and three phase motor used for the outdoors, anti corrosion, explosion-proof type electric valve of the YBDF series.

Trouble trouble shooting

No.	Trouble	Cause	Trouble shooting
1	The motor can not start	1.The power line disconnects. 2.Control circuit is faulty the motion controller and torque controller break down	1. Check the power line 2. Remove the fault of motioncontroller or torque controller
2	The turning direction of output axis can not meet the specification	The phase sequence of power supply has been connected wrongly	Exchange any two power lines
3	The motor is overheating	1. The continuous operating time is too Long 2. The motor can not match the electricactuator 3. One phase conductors disconnects	1. Stop running , and make the motor cool down 2. Check the matching situation 3. Check the power line
4	The motor stops when running	1. The overload torque controller of electric actuator actuates 2. The valve is faulty	1. Increase the setting torque 2. Check the valve
5	When the valve is in place, the motor can not stop running or the light is off	1. The motion controller and torque controller are faulty 2. The motion controller has been adjusted improperly	1. Check the motion or torque controller 2. Readjust the motion controller
6	No signal of valve location in distant place	1. Remote-transmitting potentiometer is faulty 2. The set screw for gear of the potentiometer looses	1. Check and replace the potentiometer 2. Screw down the set screw for gear of the potentiometer



产品概述 Product Overview

本公司生产直埋式软密封闸阀可用于城镇给排水管网、高层建筑、住宅小区、石油、天然气、电厂、环保、矿山、造纸等行业。该产品分伸缩式和固定式两种。在施工过程中，伸缩式可根据阀门埋设深度与地面之间的距离作大范围任意调节，固定式可现场微量调节。这两种形式的产品均可在施工时将阀门直接埋入地下，不用垒砌窰井，减少路面开挖面积。极小的井室可保持路面美观，降低施工难度，减少工程造价。该产品具有长期使用不泄漏、免维护等优点，还可有效避免他人随意开关阀门和偷盗井盖。

The company's production of direct buried soft seal gate valve can be used in urban water supply and drainage network, high-rise buildings, residential areas, oil, natural gas, power plants, environmental protection, mining, papermaking and other industries. This product divides the telescopic type and the stationary type two kinds. In the construction process, the telescopic type can be adjusted in a wide range according to the distance between the buried depth of the valve and the ground, and the fixed type can be adjusted in a small amount on site. These two forms of products can be built in the construction of the valve directly into the ground, without the installation of inspection Wells, reduce the area of road excavation. The extremely small well chamber can keep the road surface beautiful, reduce the construction difficulty and reduce the project cost. This product has the advantages of long-term use, no leakage, no maintenance, etc., and can effectively avoid others to open and close the valve and steal the manhole cover.

主要零件材质 Material Specifications

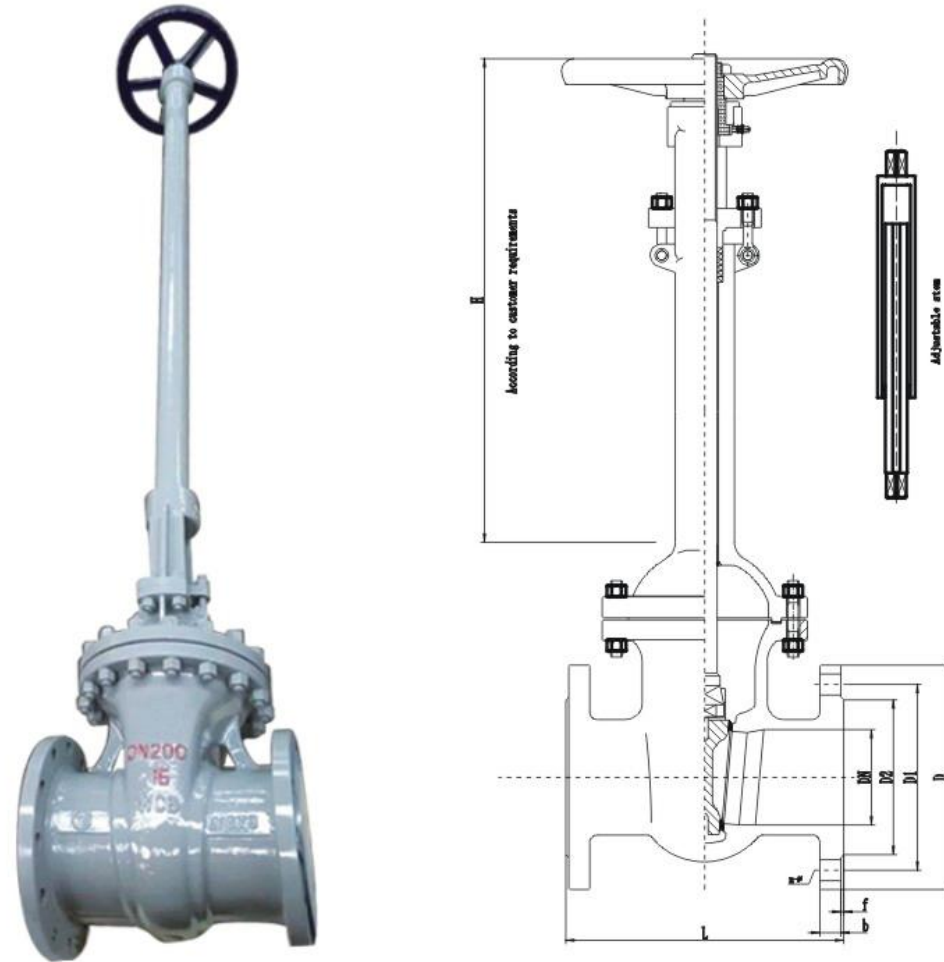
NO.	部件 Parts	材料 Material
1	阀体 Body	球墨铸铁 DI
2	阀瓣 Disc	球墨铸铁+橡胶DI+EPDM/NBR
3	阀杆螺母 Stem nut	黄铜 Brass+球墨铸铁 DI
4	阀杆 Stem	45# 2Cr13 304 铜杆 Brass
5	中头垫圈 Gasket	橡胶 EPDM
6	阀盖 Bonnet	球墨铸铁 DI
7	手轮 Handwheel	球墨铸铁 DI
8	锁紧螺母 Nut	黄铜 Brass
9	密封圈 Sealing ring	四氟 PTFE
10	O型圈 O-ring	橡胶 EPDM
11	定位环 Locating ring	黄铜 Brass

设计标准 Valve design

技术规范 Technical specification		
设计标准 Valve design		BS5163
结构长度 Face to Face		BS5163
试验标准 Pressure test		BS5163/ISO5208
连接法兰 Flange Drilling		EN1092/ISO7005-2

主要外形及连接尺寸 Main external and connecting dimensions(mm)

DN	L	D			D1			f	b		N-Φd			Total height (No extension rod included)
		PN10	PN16	PN25	PN10	PN16	PN25		PN10/PN16	PN25	PN10	PN16	PN25	
40	165	150	150	150	110	110	110	3	19	20	4-Φ19	4-Φ19	4-Φ19	300
50	178	165	165	165	125	125	125	3	19	20	4-Φ19	4-Φ19	4-Φ19	300
65	190	185	185	185	145	145	145	3	19	22	4-Φ19	4-Φ19	8-Φ19	315
80	203	200	200	200	160	160	160	3	19	22	8-Φ19	8-Φ19	8-Φ19	355
100	229	220	220	235	180	180	190	3	19	24	8-Φ19	8-Φ19	8-Φ23	435
125	254	250	250	270	210	210	220	3	19	28	8-Φ19	8-Φ19	8-Φ26	505
150	267	285	285	300	240	240	250	3	19	30	8-Φ23	8-Φ23	8-Φ26	562
200	292	340	340	360	295	295	310	3	20	32	8-Φ23	12-Φ23	12-Φ26	580
250	330	395	405	435	350	355	370	3	22	35	12-Φ23	12-Φ28	12-Φ30	770
300	356	445	460	485	400	410	430	4	25	38	12-Φ23	12-Φ28	12-Φ30	900
350	381	505	520	-	460	470	-	4	27	-	16-Φ23	16-Φ28	-	1090
400	406	565	580	-	515	525	-	4	28	-	16-Φ28	16-Φ31	-	1250
450	432	615	640	-	565	585	-	4	29	-	20-Φ28	20-Φ31	-	1350
500	457	670	715	-	620	650	-	4	32	-	20-Φ28	20-Φ34	-	1485
600	508	780	830	-	725	770	-	5	36	-	20-Φ31	20-Φ37	-	1680



产品概述 Product Overview

本公司生产铸钢硬密封加长杆闸阀可用于城镇给排水管网、高层建筑、住宅小区、石油、天然气、电厂、环保、矿山、造纸等行业。该产品分伸缩式和固定式两种。在施工过程中，伸缩式可根据阀门埋设深度与地面之间的距离作大范围任意调节，固定式可现场微量调节。这两种形式的产品均可在施工时将阀门直接埋入地下，不用垒砌窰井，减少路面开挖面积。极小的井室可保持路面美观，降低施工难度，减少工程造价。该产品具有长期使用不泄漏、免维护等优点，还可有效避免他人随意开关阀门和偷盗井盖。

The company's production of direct buried soft seal gate valve can be used in urban water supply and drainage network, high-rise buildings, residential areas, oil, natural gas, power plants, environmental protection, mining, papermaking and other industries. This product divides the telescopic type and the stationary type two kinds. In the construction process, the telescopic type can be adjusted in a wide range according to the distance between the buried depth of the valve and the ground, and the fixed type can be adjusted in a small amount on site. These two forms of products can be built in the construction of the valve directly into the ground, without the installation of inspection wells, reduce the area of road excavation. The extremely small well chamber can keep the road surface beautiful, reduce the construction difficulty and reduce the project cost. This product has the advantages of long-term use, no leakage, no maintenance, etc., and can effectively avoid others to open and close the valve and steal the manhole cover.

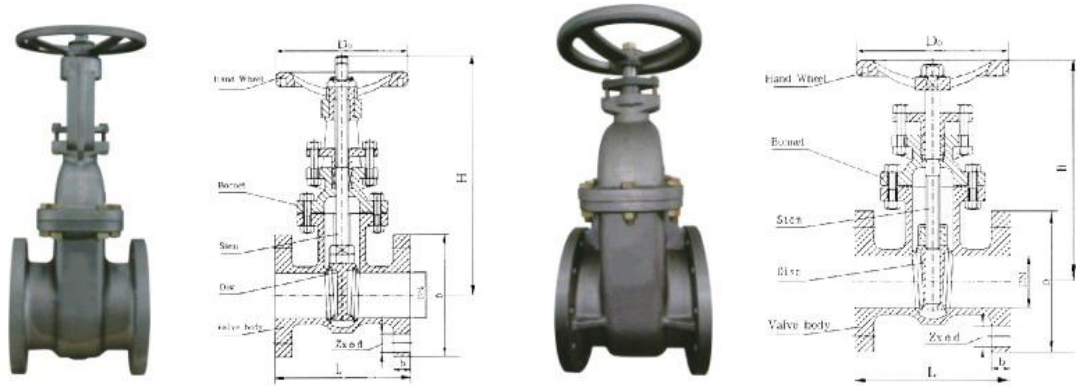
主要零件材质 Material Specifications

NO.	部件 Parts	材料 Material
1	阀体 Body	ASTM A216 Gr.WCB
2	阀座 Seat ring	ASTM A105+13Cr
3	闸板 Wedge	ASTM A216 Gr.WCB+13Cr
4	阀杆 Stem	ASTM A182 F6a
8	阀盖 Bonnet	ASTM A216 Gr.WCB
10	填料 Packing	柔性石墨 Graphite
18	手轮 Handwheel	可锻铸铁 Malleable Iron

注：阀体材质有ASTM A216 WCB、A352 LCB、A217 WC1 WC6、WC9、C5、A351 CF8 CF8M、CF3、CF3M 本表仅以ASTM A216 WCB为例。
Note: Body materials are ASTM A216 WCB, A352 LCB, A217 WC1 WC6, WC9, C5, A351 CF8 CF8M, CF3, CF3M This table is only ASTM A216 WCB as an example.

主要外形及连接尺寸 Main external and connecting dimensions(mm)

DN	L	D		D1		D2		f	b		n-Φ	
		PN16	PN25	PN16	PN25	PN16	PN25		PN16	PN25	PN16	PN25
50	250	165	165	125	125	99	99	2	20	20	4-18	4-18
65	265	185	185	145	145	118	118	2	20	22	4-18	8-18
80	280	200	200	160	160	132	132	2	20	24	8-18	8-18
100	300	220	235	180	190	156	156	2	22	24	8-18	8-22
125	325	250	270	210	220	184	184	2	22	26	8-18	8-26
150	350	285	300	240	250	211	211	2	24	28	8-22	8-26
200	400	340	360	295	310	266	274	2	24	30	12-22	12-26
250	450	405	425	355	370	319	330	2	26	32	12-26	12-30
300	500	460	485	410	430	370	389	2	28	34	12-26	16-30
350	550	520	550	470	490	435	448	4	34	44	16-25	16-34
400	600	580	610	525	550	485	505	4	36	48	16-30	16-34
450	650	640	660	585	600	545	555	4	40	50	20-30	20-34
500	700	705	730	650	660	608	610	4	44	52	20-34	20-41
600	800	840	840	770	770	718	718	5	48	56	20-41	20-41



主要零件及材料 Main parts and materials

NO.	零件名称 Part name	材料 Material
1	阀体 Body	铸铁 Cast iron
2	阀瓣 Disc	铸铁+黄铜 Cast iron+Brass
3	阀盖 Bonnet	铸铁 Cast iron
4	阀杆 Stem	不锈钢 Stainless steel, 铜杆

设计标准 Valve design

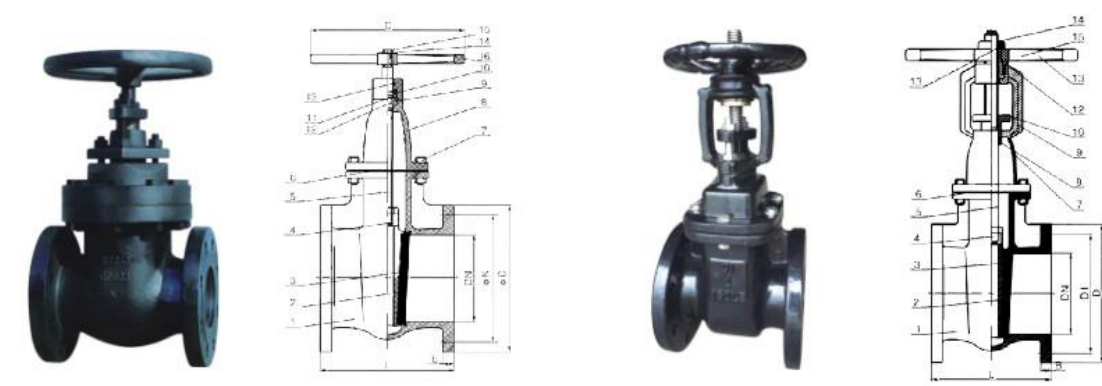
技术规范 Technical specification	
设计标准 Valve design	KS B2350
结构长度 Face to Face	JIS B2031/KS B2306/JIS B2002
试验标准 Pressure test	KS B2304
连接法兰 Flange Drilling	JIS B2031/KS B1511/JIS B2212

主要外形及连接尺寸 Main external and connecting dimensions(mm)

DN	L	D	b	Z x Φd	H	Do
40	180	140	20	4 x Φ19	317	190
50	180	155	20	4 x Φ19	343	190
65	190	175	22	4 x Φ19	390	190
80	200	185	22	8 x Φ19	452	210
100	230	210	24	8 x Φ19	537	240
125	250	250	24	8 x Φ23	621	260
150	270	280	26	8 x Φ23	718	270
200	290	330	26	12 x Φ23	920	300
250	330	400	30	12 x Φ25	1113	350
300	350	445	32	16 x Φ25	1308	390
350	460	490	34	16 x Φ25	1195	400
400	490	560	36	16 x Φ27	1367	500
450	526	620	38	20 x Φ27	1498	500
500	554	675	40	20 x Φ27	1710	500
600	620	795	44	24 x Φ33	2129	500

主要外形及连接尺寸 Main external and connecting dimensions(mm)

DN	L	D	b	Z x Φd	H	Do
40	180	140	20	4 x Φ19	249	190
50	180	155	20	4 x Φ19	262	190
65	190	175	22	4 x Φ19	286	190
80	200	185	22	8 x Φ19	325	210
100	230	210	24	8 x Φ19	382	240
125	250	250	24	8 x Φ23	417	260
150	270	280	26	8 x Φ23	455	270
200	290	330	26	12 x Φ23	559	300
250	330	400	30	12 x Φ25	674	350
300	350	445	32	16 x Φ25	780	390
350	460	490	34	16 x Φ25	925	400
400	490	560	36	16 x Φ27	1087	500
450	526	620	38	20 x Φ27	1170	500
500	554	675	40	20 x Φ27	1365	500
600	620	795	44	24 x Φ33	1585	500



主要零件及材料 Main parts and materials

NO.	部件 Parts	材料 Material
1	阀体 Body	球墨铸铁 DI
2	阀瓣 Disc	球墨铸铁 DI
3	密封面环 Sealing face ring	黄铜 Brass
4	螺母 Nut	黄铜 Brass
5	阀杆 Stem	不锈钢 2Cr13
6	阀盖垫片 Bonnet gasket	橡胶 NBR
7	螺栓 Bolt	Q235号钢 Q235
8	阀盖 Bonnet	球墨铸铁 DI
9	定位环 Lokting ring	黄铜 Brass
10	铜套 Copper bush	黄铜 Brass
11	O型圈 O-ring	橡胶 EPDM
12	垫片 Gasket	橡胶 EPDM
13	防尘圈 Dust ring	橡胶 NBR
14	垫片 Gasket	不锈钢 SS304
15	螺栓 Bolt	不锈钢 SS304
16	手轮 Handwheel	球墨铸铁 DI

NO.	部件 Parts	材料 Material
1	阀体 Body	球墨铸铁 DI
2	阀瓣 Disc	球墨铸铁 DI
3	密封面环 Sealing face ring	黄铜 Brass
4	螺母 Nut	黄铜 Brass
5	阀杆 Stem	不锈钢 2Cr13
6	阀盖垫片 Bonnet gasket	橡胶 EPDM
7	阀盖 Bonnet	球墨铸铁/灰铁 DI/CI
8	填料 Packing	石墨环 Graphite ring
9	支架 Yoke	球墨铸铁 DI
10	压铁 Gland	球墨铸铁 DI
11	销子 Pin	不锈钢 Stainless steel
12	锁螺母 Locking nut	球墨铸铁 DI
13	手轮 Handwheel	球墨铸铁 DI
14	锁螺母 Locking nut	40号钢 40Cr
15	螺母 Nut	黄铜 Brass

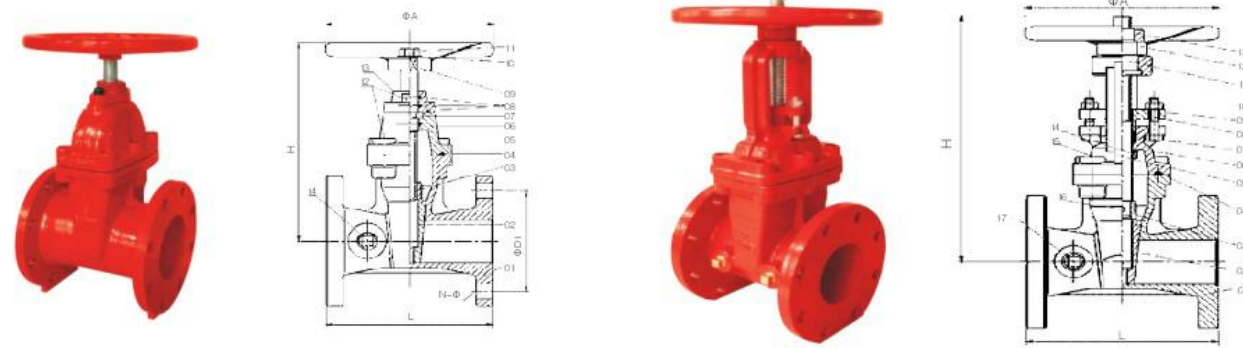
设计标准 Valve design

技术规范 Technical specification	
设计标准 Valve design	MSS SP-70
结构长度 Face to Face	ANSI B16.10
试验标准 Pressure test	API 598
连接法兰 Flange Drilling	ANSI B16.1

主要外形及连接尺寸 Main external and connecting dimensions(mm)

DN	L	D		B	C	n-Φd
		CL125	CL125			
50	178	152	120.5	16	200	4-Φ19
65	190	178	139.5	18	200	4-Φ19
80	203	191	152.5	19	200	4-Φ19
100	229	229	190.5	24	280	8-Φ19
125	254	254	216	24	280	8-Φ22
150	267	279	241.5	26	280	8-Φ22
200	292	343	298.5	28	320	8-Φ22
250	330	406	362	30	350	12-Φ25
300	356	483	432	32	350	12-Φ25

美标软密封闸阀200PSI
ANSI Soft Sealing Gate Valve 200PSI



主要零件及材料 Main parts and materials

零件名称 Part name	材料 Material
阀体 Body Materials	球墨铸铁DI
阀瓣 Disc	球墨铸铁+橡胶DI+EPDM
阀杆 Stem	304
阀盖 Bonnet	球墨铸铁DI
手轮 Handwheel	球墨铸铁DI

设计标准 Valve design

技术规范 Technical specification	
设计标准 Valve design	AWWA C515
标准压力 Normal pressure	200PSI
连接法兰 Flange Drilling	ANSI B 16.1 Class 125 or according to customer requirements Both inside and outside of the body need Epoxy Resin Coating

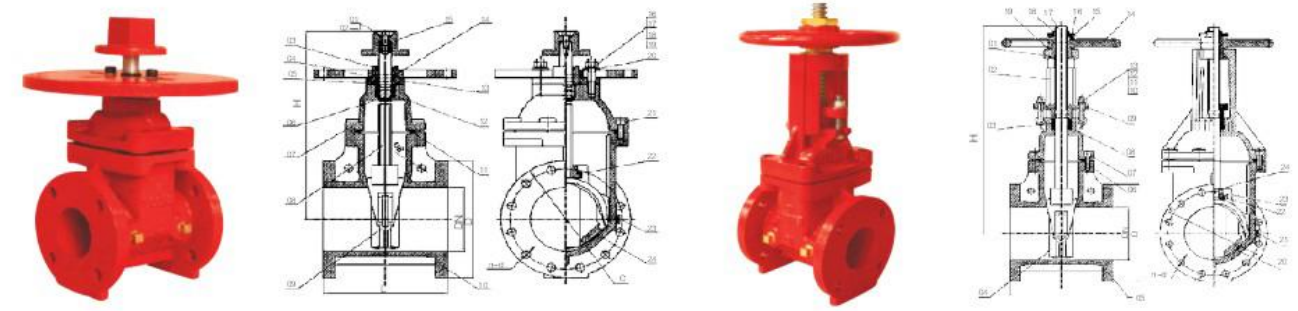
主要外形及连接尺寸 Main external and connecting dimensions(mm)

Inch	L	H	Φ D1	N-Φ	Φ A
2 1/2"	190	255	139.5	4-19	220
3"	203	289	152.5	4-19	250
4"	229	323	190.5	8-19	280
5"	254	386	216	8-22	300
6"	267	420	241.5	8-22	350
8"	292	520	298.5	8-22	380
10"	330	628	362	12-25	450
12"	356	725	432	12-25	450

主要外形及连接尺寸 Main external and connecting dimensions(mm)

Inch	L	H	Φ A
2"	178	280	180
2 1/2"	190	310	220
3"	203	370	250
4"	229	428	280
5"	254	532	300
6"	267	590	350
8"	292	735	380
10"	330	908	450
12"	356	1150	450

美标软密封闸阀300PSI
ANSI Soft Sealing Gate Valve 300PSI



主要零件及材料 Main parts and materials

零件名称 Part name	材料 Material
阀体 Body Materials	球墨铸铁DI
阀瓣 Disc	球墨铸铁+橡胶DI+EPDM
阀杆 Stem	304
阀盖 Bonnet	球墨铸铁DI
手轮 Handwheel	球墨铸铁DI

设计标准 Valve design

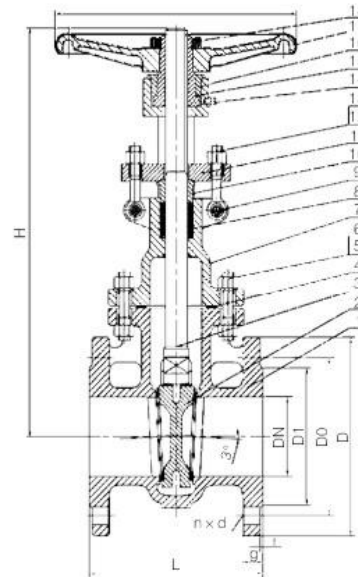
技术规范 Technical specification	
设计标准 Valve design	AWWA C515
标准压力 Normal pressure	300PSI
连接法兰 Flange Drilling	ANSI B16.1 Class 125 or according to customer requirements Both inside and outside of the body need Epoxy Resin Coating

主要外形及连接尺寸 Main external and connecting dimensions(mm)

Inch	L	D	c	n-d	H
2 1/2"	190	178	139.5	4-19	292
3"	203	191	152.5	4-19	322
4"	229	229	190.5	8-19	342
5"	254	254	216	8-22	412
6"	267	279	241.5	8-22	448
8"	292	343	298.5	8-22	534
10"	330	406	362	12-25	635
12"	356	483	432	12-25	720

主要外形及连接尺寸 Main external and connecting dimensions(mm)

Inch	L	D	c	n-d	H
2 1/2"	190	178	139.5	4-19	357
3"	203	191	152.5	4-19	411
4"	229	229	190.5	8-19	443
5"	254	254	216	8-22	536
6"	267	279	241.5	8-22	595
8"	292	343	298.5	8-22	739
10"	330	406	362	12-25	881
12"	356	483	432	12-25	1021



主要零件材质 Material Specifications

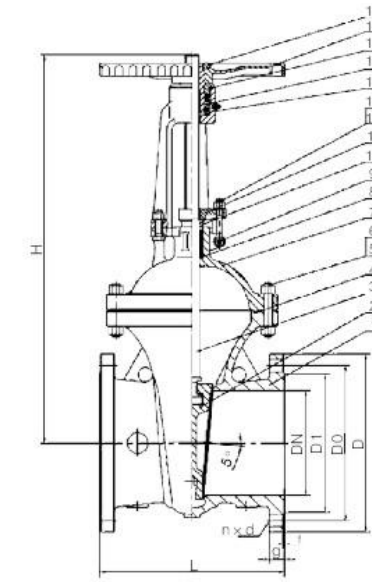
序号 No.	部件 Parts	材料 Material
1	阀体 Body	GG GS-C25, CF8, CF8M
2	阀瓣 Disc	GS-C25, CF8, CF8M
3	阀杆 Stem	13Cr, F304, F316
5	螺栓 Bolt	A193-B7, A193-B8
7	阀盖 Bonnet	GG GS-C25, CF8, CF8M
8	填料 Packing	Flexible Graphite
17	手轮 Handwheel	A105, F304, F316

设计标准 Valve design

技术规范 Technical specification	
设计标准 Valve design	DIN EN13709-2003
结构长度 Face to Face	DIN EN588-1:1995
试验标准 Pressure test	DIN EN12266:2003
连接法兰 Flange Drilling	DIN EN1092-1:2002

规格尺寸 Main Sizes and Dimensions

公称通径 DN	PN16								PN25								PN40										
	L	D	Do	D1	g	f	n x d	H	W	L	D	Do	D1	g	f	n x d	H	W	L	D	Do	D1	g	f	n x d	H	W
40	140	150	110	88	18	3	4 x 18	325	200	140	150	110	88	20	3	4 x 18	325	200	140	150	110	88	20	3	4 x 18	325	200
50	150	165	125	102	18	3	4 x 18	335	200	150	165	125	102	20	3	4 x 18	335	200	150	165	125	102	20	3	4 x 18	335	200
65	170	185	145	122	18	3	8 x 18	360	200	170	185	145	122	22	3	8 x 18	360	200	170	185	145	122	22	3	8 x 18	360	200
80	180	200	160	138	20	3	8 x 18	410	200	180	200	160	138	24	3	8 x 18	410	200	180	200	160	138	24	3	8 x 18	410	200
100	190	220	180	158	20	3	8 x 18	480	200	190	235	190	162	24	3	8 x 22	480	200	190	235	190	162	24	3	8 x 22	480	200
125	200	250	210	188	22	3	8 x 18	515	250	200	270	220	188	26	3	8 x 26	515	250	200	270	220	188	26	3	8 x 26	515	250
150	210	285	240	212	22	3	8 x 22	590	250	210	300	250	218	28	3	8 x 26	590	250	210	300	250	218	28	3	8 x 26	590	250
200	230	340	295	268	24	3	12 x 22	735	300	230	360	310	278	34	3	12 x 26	735	300	230	375	320	285	34	3	12 x 30	735	300
250	250	405	355	320	26	3	12 x 26	890	350	250	425	370	335	36	3	12 x 30	890	350	250	450	405	385	38	3	12 x 33	890	350
300	270	460	410	378	28	4	12 x 26	1040	400	270	485	430	395	40	4	12 x 30	1040	400	270	515	450	410	42	4	16 x 33	1040	400



主要零件材质 Material Specifications

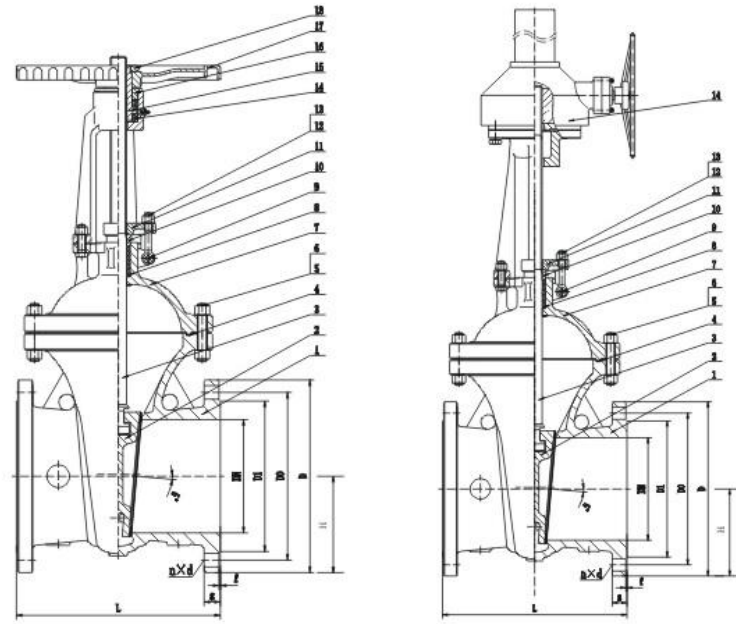
序号 No.	部件 Parts	材料 Material
1	阀体 Body	GG GS-C25, CF8, CF8M
2	阀瓣 Disc	GS-C25, CF8, CF8M
3	阀杆 Stem	13Cr, F304, F316
5	螺栓 Bolt	A193-B7, A193-B8
7	阀盖 Bonnet	GG GS-C25, CF8, CF8M
8	填料 Packing	Flexible Graphite
17	手轮 Handwheel	A105, F304, F316

设计标准 Valve design

技术规范 Technical specification	
设计标准 Valve design	DIN EN12288-2003
结构长度 Face to Face	DIN EN588-1:1995
试验标准 Pressure test	DIN EN12266:2003
连接法兰 Flange Drilling	DIN EN1092-1:2002

规格尺寸 Main Sizes and Dimensions

公称通径 DN	PN16								PN25								PN40										
	L	D	Do	D1	g	f	n x d	H	W	L	D	Do	D1	g	f	n x d	H	W	L	D	Do	D1	g	f	n x d	H	W
40	240	150	110	88	18	3	4 x 18	310	200	240	150	110	88	20	3	4 x 18	310	200	240	150	110	88	20	3	4 x 18	310	200
50	250	165	125	102	18	3	4 x 18	319	250	250	165	125	102	20	3	4 x 18	319	250	250	165	125	102	20	3	4 x 18	319	250
65	270	185	145	122	18	3	8 x 18	367	250	270	185	145	122	22	3	8 x 18	367	250	270	185	145	122	22	3	8 x 18	367	250
80	280	200	160	138	20	3	8 x 18	427	250	280	200	160	138	24	3	8 x 18	427	250	280	200	160	138	24	3	8 x 18	427	250
100	300	220	180	158	20	3	8 x 18	514	300	300	235	190	162	24	3	8 x 22	514	300	300	235	190	162	24	3	8 x 22	514	300
125	325	250	210	188	22	3	8 x 18	523	300	325	270	220	188	26	3	8 x 26	523	300	325	270	220	188	26	3	8 x 26	523	300
150	350	285	240	212	22	3	8 x 22	625	350	350	300	250	218	28	3	8 x 26	625	350	350	300	250	218	28	3	8 x 26	625	350
200	400	340	295	268	24	3	12 x 22	715	350	400	360	310	278	34	3	12 x 26	715	350	400	375	320	285	34	3	12 x 30	715	350
250	450	405	355	320	26	3	12 x 26	925	450	450	425	370	335	36	3	12 x 30	925	450	450	450	405	385	38	3	12 x 33	925	450
300	500	460	410	378	28	4	12 x 26	1075	450	500	485	430	395	40	4	12 x 30	1075	450	500	515	450	410	42	4	16 x 33	1075	450



主要零件及材料 Main parts and materials

序号 No.	部件 Parts	材料 Material
1	阀体 Body	WCB+ 13Cr
2	阀瓣 Disc	WCB+ 13Cr
3	阀杆 Stem	2Cr13
4	垫片 Gasket	柔性石墨 Flexible Graphite+201
5	螺栓 Bolt	A 193 B7
6	螺母 Nut	A 194 2H
7	阀盖 Bonnet	WCB
8	填料垫 Packing	柔性石墨 Flexible Graphite
9	销 Pin	35#
10	压盖 Gland	1Cr13
11	密封压盖 Gland cover	WCB
12	键螺栓 Key bolt	A 193 B7
13	螺母 Nut	A 194 2H
14	轴承 Bearing	/
15	阀杆螺母 Stem nut	QT450
16	轴承盖 Bearing cover	35#
17	手轮 Hand wheel	铸铁 Cast iron
18	自锁螺母 Locknut	35#

设计标准 Valve design

技术规范 Technical specification	
设计标准 Valve design	BS 5163
结构长度 Face to Face	EN558
测试标准 Test standard	EN12266
法兰标准 Flange standard	BS4504

主要外形及连接尺寸 Main external and connecting dimensions(mm)

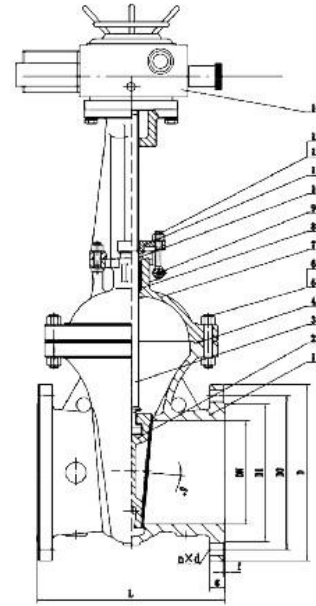
PN1.6MPa

Size	Dimensions (mm)									
DN	d	L	D(1)	D0	D1	g	f	H	W	n-Φd
15	15	130	95	65	46	14	2	47.5	120	4-14
20	20	150	105	75	56	16	2	52.5	140	4-14
25	25	160	115	85	65	16	2	57.5	160	4-14
32	32	180	135	100	78	16	2	67.5	180	4-18
40	40	200	145	110	84	18	2	72.5	200	4-18
50	50	250	160	125	99	20	2	80	240	4-18
65	65	265	180	145	118	20	2	90	240	4-18
80	80	280	195	160	132	20	2	97.5	280	8-18
100	100	300	215	180	156	22	2	107.5	300	8-18
125	125	325	245	210	184	22	2	122.5	320	8-18
150	150	350	280	240	211	24	2	140	360	8-22
200	200	400	335	295	266	24	2	167.5	400	12-22
250	250	450	405	355	319	26	2	202.5	450	12-26
300	300	500	460	410	370	28	2	230	560	12-26
350	350	550	520	470	435	34	4	260	640	16-25
400	400	600	580	525	485	36	4	290	640	16-30
450	450	650	640	585	545	40	4	320	720	20-30
500	500	700	705	650	608	44	4	352.5	720	20-34
600	600	800	840	770	718	48	5	420	800	20-41
700	700	900	910	840	788	50	5	455	-	24-41
800	800	1000	1020	950	898	52	5	510	-	24-41
900	900	1100	1120	1050	998	54	5	560	-	28-41
1000	1000	1200	1255	1170	1100	56	5	627.5	-	28-48

主要外形及连接尺寸 Main external and connecting dimensions(mm)

PN2.5MPa

Size	Dimensions (mm)									
DN	L	D(1)	D0	D1	g	f	H	W	n-Φd	
15	130	95	65	46	14	2	47.5	120	4-14	
20	150	105	75	56	16	2	52.5	140	4-14	
25	160	115	85	65	16	2	57.5	160	4-14	
32	180	135	100	78	16	2	67.5	180	4-18	
40	200	145	110	84	18	2	72.5	200	4-18	
50	250	160	125	99	20	2	80	240	4-18	
65	265	180	145	118	22	2	90	240	8-18	
80	280	195	160	132	24	2	97.5	280	8-18	
100	300	230	190	156	24	2	115	300	8-22	
125	325	270	220	184	26	2	135	320	8-26	
150	350	300	250	211	28	2	150	360	8-26	
200	400	360	310	274	30	2	180	400	12-26	
250	450	425	370	330	32	2	212.5	450	12-30	
300	500	485	430	389	34	2	242.5	560	16-30	
350	550	550	490	448	44	4	275	640	16-34	
400	600	610	550	505	48	4	305	640	16-34	
450	650	660	600	555	50	4	330	720	20-34	
500	700	730	660	610	52	4	365	720	20-41	
600	800	840	770	718	56	5	420	800	20-41	
700	900	955	875	815	60	5	477.5	-	24-48	
800	1000	1070	990	930	64	5	535	-	24-48	
900	1100	1180	1090	1025	66	5	590	-	28-54	



主要零件及材料 Main parts and materials

NO.	部件 Parts	材料 Material
1	阀体 Body	WCB+ 13Cr
2	阀瓣 Disc	WCB+ 13Cr
3	阀杆 Stem	2Cr13
4	垫片 Gasket	柔性石墨 Flexible Graphite+201
5	螺栓 Bolt	A 193 B7
6	螺母 Nut	A 194 2H
7	阀盖 Bonnet	WCB
8	填料垫 Packing	柔性石墨 Flexible Graphite
9	销 Pin	35#
10	压盖 Gland	1Cr13
11	密封压盖 Gland cover	WCB
12	键螺栓 Key bolt	A 193 B7
13	螺母 Nut	A 194 2H
14	轴承 Bearing	/
15	阀杆螺母 Stem nut	Q1450
16	轴承盖 Bearing cover	35#
17	手轮 Hand wheel	铸铁 Cast iron
18	自锁螺母 Locknut	35#

设计标准 Valve design

技术规范 Technical specification	
设计标准 Valve design	BS5163
结构长度 Face to Face	EN558
测试标准 Test standard	EN12266
法兰标准 Flange standard	BS4504

主要外形及连接尺寸 Main external and connecting dimensions(mm)

PN1.6MPa

Size	Dimensions (mm)											Electric Actuator Code
	DN	d	L	D(1)	D(2)	D0	D1	g	f	H	W	
15	15	130	95	95	65	46	14	2	170	120	4-14	Z5
20	20	150	105	105	75	56	16	2	190	140	4-14	Z5
25	25	160	115	115	85	65	16	2	205	160	4-14	Z5
32	32	180	135	140	100	78	16	2	270	180	4-18	Z5
40	40	200	145	150	110	84	18	2	310	200	4-18	Z10
50	50	250	160	165	125	99	20	2	358	240	4-18	Z10
65	65	265	180	185	145	118	20	2	373	240	4-18	Z10
80	80	280	195	200	160	132	20	2	435	280	8-18	Z15
100	100	300	215	220	180	156	22	2	500	300	8-18	Z20
125	125	325	245	250	210	184	22	2	614	320	8-18	Z20
150	150	350	280	285	240	211	24	2	674	360	8-22	Z20
200	200	400	335	340	295	266	24	2	818	400	12-22	Z30
250	250	450	405	405	355	319	26	2	969	450	12-26	Z30
300	300	500	460	460	410	370	28	2	1145	560	12-26	Z45
350	350	550	520	-	470	435	34	4	1280	640	16-25	Z90
400	400	600	580	-	525	485	36	4	1452	640	16-30	Z120
450	450	650	640	-	585	545	40	4	1541	720	20-30	Z120
500	500	700	705	-	650	608	44	4	1678	720	20-34	Z180
600	600	800	840	-	770	718	48	5	1874	800	20-41	Z250
700	700	900	910	-	840	788	50	5	-	-	24-41	Z350
800	800	1000	1020	-	950	898	52	5	-	-	24-41	Z350
900	900	1100	1120	-	1050	998	54	5	-	-	28-41	Z500
1000	1000	1200	1255	-	1170	1100	56	5	-	-	28-48	Z800

主要外形及连接尺寸 Main external and connecting dimensions(mm)

PN2.5MPa

Size	Dimensions (mm)											Electric Actuator Code
	DN	L	D(1)	D(2)	D0	D1	g	f	H	W	n-Φd	
15	130	95	95	65	46	14	2	170	120	4-14	Z5	
20	150	105	105	75	56	16	2	190	140	4-14	Z5	
25	160	115	115	85	65	16	2	205	160	4-14	Z5	
32	180	135	140	100	78	16	2	270	180	4-18	Z5	
40	200	145	150	110	84	18	2	310	200	4-18	Z10	
50	250	160	165	125	99	20	2	358	240	4-18	Z10	
65	265	180	185	145	118	22	2	373	240	8-18	Z10	
80	280	195	200	160	132	24	2	435	280	8-18	Z15	
100	300	230	235	190	156	24	2	500	300	8-22	Z20	
125	325	270	270	220	184	26	2	614	320	8-26	Z20	
150	350	300	300	250	211	28	2	674	360	8-26	Z20	
200	400	360	360	310	274	30	2	818	400	12-26	Z30	
250	450	425	425	370	330	32	2	969	450	12-30	Z30	
300	500	485	485	430	389	34	2	1145	560	16-30	Z60	
350	550	550	-	490	448	44	4	1280	640	16-34	Z90	
400	600	610	-	550	505	48	4	1452	640	16-34	Z120	
450	650	660	-	600	555	50	4	1541	720	20-34	Z120	
500	700	730	-	660	610	52	4	1678	720	20-41	Z180	
600	800	840	-	770	718	56	5	1874	800	20-41	Z250	
700	900	955	-	875	815	60	5	-	-	24-48	Z500	
800	1000	1070	-	990	930	64	5	-	-	24-48	Z500	
900	1100	1180	-	1090	1025	66	5	-	-	28-54	Z800	

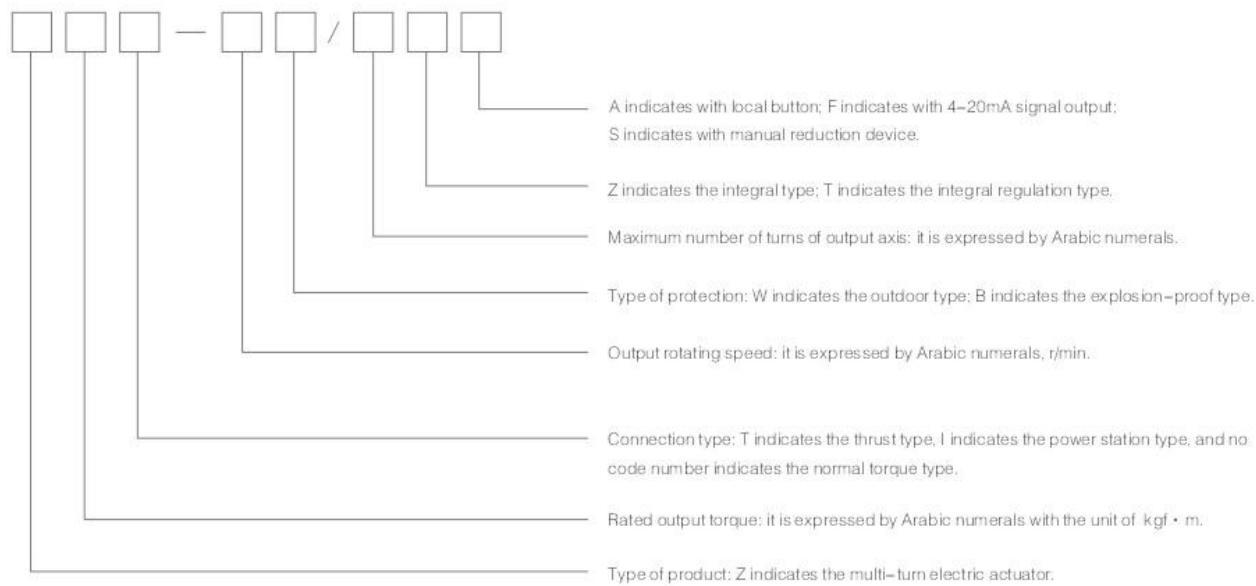
General Instruction

Multi-turn valve electric actuator, known by the name of Z-type, which is used for opening, closing or adjusting the valves, is an essential actuating device which can be used for remote control, centralized control and self control to the valves, with features of comprehensive function, reliable performance, advanced control system, small volume, light weight, convenient application and maintenance and so on. It can be applicable to the valves, whose open-close parts will move in a straight line, such as gate valve, globe valve, diaphragm valve, anchor gate, water gate valve and so on.

The actuator can be used in the industries like electric power, metallurgy, petroleum, chemical engineering, paper-making, sewage disposal and so on.

There are many types for multi-turn electric actuator: outdoor type, explosion-proof type, integral type, integral-regulation type, integral explosion proof type, integral-regulation explosion proof type and so on. It can be divided into torque type and thrust type according to the connection type.

Presentation of Model



Opening Environment and Major Technical Parameters

3.1 Power supply: general: Single-phase 220V, three-phase 380V(50Hz), long distance DC24V Special: single-phase 110v, three-phase 415V, 660V (50Hz,60Hz)

3.2 Operating environment:

3.2.1 Ambient temperature: 20 ~ +60°C (Special order 60 ~ +80°C)

3.2.2 Relative humidity: 95%(When 25°C)

3.2.3.1 The outdoor type can be used in the places without inflammable/explosive and corrosive medium;

3.2.3.2 There are two types of explosion-proof products; d I can be applicable to non-excavating working area for coal mine, and d II BT4, which is applicable to the environment with

IIA, IIB grade T1 ~ T4 explosive gas mixture, can be used in the factory. (For details refer to GB3836.1)

3.2.4 Degree of protection: the outdoor type and explosion-proof type is IP55, IP65, IP67.

3.3 Working time: 10 minutes for short time(Special order can reach to 15-60 minutes)

3.4 Refer to table 1 for the model and major performance parameter.

Table 1

Model & Spec.	Torque (N·m)	Thrust (KN)	Maximum diameter of valve stem(mm)	Manual ratio	Output Rotation speed (r/min)	Motor power (KW)	Current (A)	Referential weight (kg)
Z5	50	20	28	1:1	12/36	0.12/0.18	0.57/0.83	28
Z10	100	40	28	1:1	24/36	0.25/0.37	1.03/1.38	45
Z15	150	40	28	1:1	24/36	0.37/0.55	1.38/2.2	46
Z20	200	100	40	1:1	18/36	0.37/0.75	1.38/2.62	56
Z30	300	100	40	1:1	18/36	0.55/1.1	2.2/4	58
Z45	450	150	48	1:1/20:1	24/36	1.1/1.5	4/4.12	110
Z60	600	150	48	1:1/20:1	24/36	1.5/2.2	4.12/5.25	112
Z90	900	200	60	1:1/25:1	24/36	2.2/3	5.25/7.9	140
Z120	1200	200	60	1:1/25:1	24/36	3/4	7.9/8.87	142
Z180	1800	325	70	22.5:1	18/36	4/7.5	8.87/15.6	250
Z250	2500	325	70	22.5:1	18/36	5.5/10	12.05/20.5	255
Z350	3500	700	80	20:1	18/24	7.5/10	15.6/20.5	330
Z500	5000	700	80	20:1	18/24	10/15	20.5/26.6	350

Note: If user requires, we could provide the products with other rotation speed: 12/18/24/30/36/42/48/60(r/min)

Normally, we provide the products with treble counters. If the number of turns is large, give clear indication of it when placing an order, we can provide the products with quadruple counters.

4. Outline and connection dimension

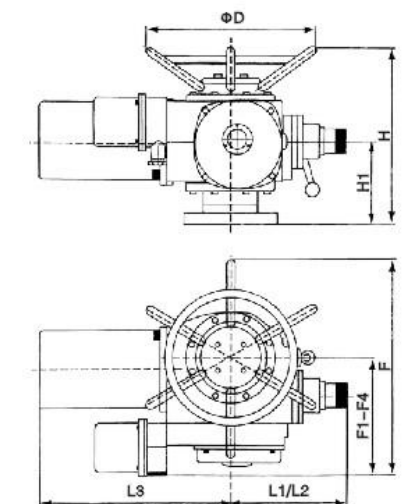
4.1 Outline and outline dimension(refer to Figure 1 and Table 2)

Table 2 Outline Dimension

Model	H	H1	L1	L2	L3	F	F1	F2	F3	F4	ΦD
Z5	271	96	158	226	249	158	259	-	310	-	316
Z10-Z30	316	130	200	238	295	200	255	317	349	374	400
Z45/Z60	415	195	277	277	394	230	275	391	369	394	460
Z90/Z120	453	195	281	281	412	278	310	426	404	429	556
Z180/Z250	585	250	320	320	474	295	360	476	455	476	320
Z350/Z500	717	280	399	399	1076	433	417	442	417	542	565

Note: 1) L1 is outdoor type/explosion-proof type; L2 is integral type/integral explosion;

2) F1 is outdoor type; F2 is explosion-proof type; F3 is integral type; F4 is integral explosion-proof type/integral regulation explosion-proof type.

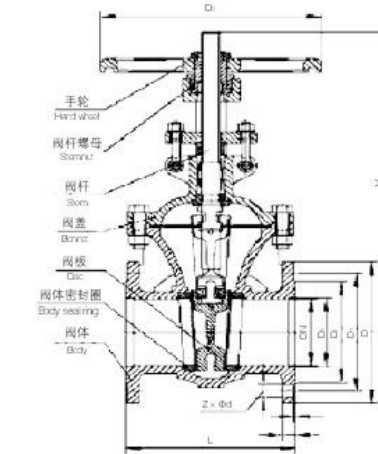


Structure

Z type electric actuator is consisted of motor, speed reducer, torque controller, motion controller, opening position indicator, manual-electric shifter, hand wheel and electric parts. The conventional type is sealing with ground surfaces; the outdoor type applies the round rabbit and o-seal ring seal; The explosion-proof type has the same sealing structure as the outdoor type, is added by the explosion-proof surface, and applies explosion-proof type connecting box and three phase motor used for the outdoors, anti corrosion, explosion-proof type electric valve of the YBDF series.

Trouble trouble shooting

No.	Trouble	Cause	Trouble shooting
1	The motor can not start	1. The power line disconnects. 2. Control circuit is faulty the motion controller and torque controller break down	1. Check the power line 2. Remove the fault of motion controller or torque controller
2	The turning direction of output axis can not meet the specification	The phase sequence of power supply has been connected wrongly	Exchange any two power lines
3	The motor is overheating	1. The continuous operating time is too Long 2. The motor can not match the electric actuator 3. One phase conductors disconnects	1. Stop running, and make the motor cool down 2. Check the matching situation 3. Check the power line
4	The motor stops when running	1. The overload torque controller of electric actuator actuates 2. The valve is faulty	1. Increase the setting torque 2. Check the valve
5	When the valve is in place, the motor can not stop running or the light is off	1. The motion controller and torque controller are faulty 2. The motion controller has been adjusted improperly	1. Check the motion or torque Controller 2. Readjust the motion controller
6	No signal of valve location in distant place	1. Remote-transmitting potentiometer is faulty 2. The set screw for gear of the potentiometer looses	1. Check and replace the potentiometer 2. Screw down the set screw for gear of the potentiometer



主要零件材质 Material Specifications

序号 No.	部件 Parts	材料 Material
1	阀体 Body	GG GS-C25, CF8, CF8M
2	阀瓣 Disc	GS-C25, CF8, CF8M
3	阀杆 Stem	13Cr, F304, F316
5	螺栓 Bolt	A193-B7, A193-B8
7	阀盖 Bonnet	GG GS-C25, CF8, CF8M
8	填料 Packing	Flexible Graphite
17	手轮 Handwheel	A105, F304, F316

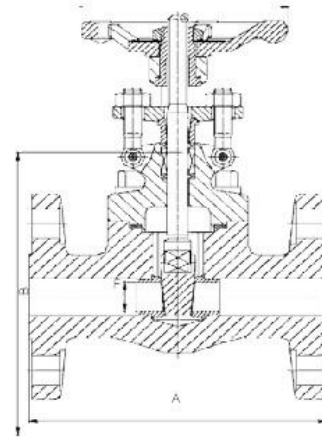
设计标准 Valve design

技术规范 Technical specification	
设计标准 Valve design	JIS B2073 B2083
结构长度 Face to Face	JIS B2002
试验标准 Pressure test	JIS B2003
连接法兰 Flange Drilling	JIS B2212 B2214

注：阀体材质有WCB, SCS13, SCS13A, SCS14, SCS14A, SCS19, SCS19A, SCS16, SCS16A, 本表仅以SCS13举例
Note: Body material WCB, SCS13, SCS13A, SCS14, SCS14A, SCS19, SCS19A, SCS16, SCS16A, this only USES the example of SCS13

主要外形及连接尺寸 Main external and connecting dimensions(mm)

型号 Type	口径 DN	尺寸 measure (mm)								
		L	D	D1	D2	D3	b-f	Z-Φd	H	D0
10K	50	178	155	120	96	51	16-2	4 × 19	338	224
	65	190	175	140	116	66	18-2	4 × 19	362	224
	80	203	185	150	126	81.5	18-2	8 × 19	415	250
	100	229	210	175	151	102	18-2	8 × 19	447	300
	125	254	250	210	182	127	20-2	8 × 23	555	330
	150	267	280	240	212	152	22-2	8 × 23	618	330
	200	292	330	290	262	203	22-2	12 × 23	781.4	330
20K	250	330	400	355	324	254	24-2	12 × 25	927.4	400
	300	356	455	400	368	304	24-3	16 × 25	1073.4	450
	50	216	155	120	96	51	22-2	8 × 19	338	224
	65	241	175	140	116	66	24-2	8 × 19	362	224
	80	283	200	160	132	81.5	26-2	8 × 23	415	250
	100	305	225	185	156	102	28-2	8 × 23	447	300
	125	381	270	225	195	127	30-2	8 × 25	555	330
	150	403	305	260	230	152	32-2	12 × 25	618	355
	200	419	350	305	275	203	34-2	12 × 25	806	400
	250	457	430	380	345	254	38-2	12 × 27	956	450
	300	502	480	430	395	304	40-3	16 × 27	1081.5	500



主要零件材质 Material Specifications

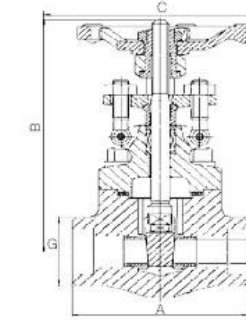
序号 No.	部件 Parts	材料 Material
1	阀体 Body	A105
2	阀座 Seat	13Cr
3	闸板 Wedge	13Cr
4	阀杆 Stem	A182-F6a
5	垫片 Gasket	不锈钢+柔性石墨
6	阀盖 Bonnet	A105
7	螺母 Nut	A194-2H
8	螺栓 Bolt	A193-B7
9	填料 Packing	柔性石墨
10	阀杆螺母 Stem nut	13Cr
11	手轮 Handwheel	可锻铸铁
12	法兰 Flange	A105

设计标准 Valve design

技术规范 Technical specification	
设计标准 Valve design	API 602
结构特征 Construction Feature	明杆, 螺栓连接阀盖或焊接阀盖 B.B OS & Y or WB OS & Y
结构长度 Face to Face	ANSI B 16.10
法兰尺寸 Flanged connection	ANSI B 16.5
测试标准 Test and inspection	API 598
主体材料 Body material	A105, F304, F316, F304L, F316L, F5, F11, F22...

主要外形及连接尺寸 Main external and connecting dimensions(mm)

MPa	Inch	A	B	C	F
Class 150Lb	1/2"	108	153	100	13
	3/4"	117	153	100	13
	1"	127	185	120	18
	1 1/4"	140	222	160	24
	1 1/2"	165	240	160	29
	2"	178	279	180	36.8
Class 300Lb	1/2"	140	153	100	13
	3/4"	152	153	100	13
	1"	165	185	120	18
	1 1/4"	178	222	160	24
	1 1/2"	190	240	160	29
	2"	216	279	180	36.8
Class 600Lb	1/2"	165	153	100	13
	3/4"	190	153	100	13
	1"	216	185	120	18
	1 1/4"	229	222	160	24
	1 1/2"	241	240	160	29
	2"	292	279	180	36.8



主要零件材质 Material Specifications

序号 No.	部件 Parts	材料 Material
1	阀体 Body	A105
2	阀座 Seat	13Cr
3	闸板 Wedge	13Cr
4	阀杆 Stem	A182-F6a
5	垫片 Gasket	不锈钢+柔性石墨
6	阀盖 Bonnet	A105
7	螺母 Nut	A194-2H
8	螺栓 Bolt	A193-B7
9	填料 Packing	柔性石墨
10	阀杆螺母 Stem nut	13Cr
11	手轮 Handwheel	可锻铸铁

设计标准 Valve design

技术规范 Technical specification	
设计标准 Valve design	API 602
结构特征 Construction Feature	明杆, 螺栓连接 阀盖或焊接 阀盖 B.B OS & Y or WB OS & Y
螺纹连接尺寸 FNPT connection	ANSI B1.20.1
承插焊连接尺寸 Socket weld connection	ANSI B16.11
测试标准 Test and inspection	API 598
主体材料 Body material	A105, F304, F316, F304L, F316L, F5, F11, F22...

主要外形及连接尺寸 Main external and connecting dimensions(mm)

MPa	Inch	A	B	C	F	G
Class 800Lb	1/4"	79	149	100	8	34
	3/8"	79	149	100	8	34
	1/2"	79	149	100	8	34
	3/4"	92	153	100	13	40
	1"	111	185	120	18	49
	1 1/4"	120	222	160	29	64
Class 1500Lb	1 1/2"	120	240	160	29	64
	2"	140	279	180	36.5	78
	1/4"	79	175	100	8	34
	3/8"	92	178	100	13	40
	1/2"	92	181	125	13	42
	3/4"	111	181	125	13	49
Class 1500Lb	1"	120	218	160	18	58
	1 1/4"	120	237	160	24	64
	1 1/2"	140	274	180	29	78
	2"	160	319	200	36.8	88

主要外形及连接尺寸 Main external and connecting dimensions(mm)

MPa	Inch	A	B	C	F	G
Class 800Lb	1/2"	92	153	100	13	40
	3/4"	111	185	120	18	49
	1"	120	222	160	29	64
	1 1/4"	120	240	160	29	64
	1 1/2"	140	279	180	36.5	78
	2"	160	333	200	48	82
Class 1500Lb	1/2"	111	181	125	13	49
	3/4"	120	218	160	18	58
	1"	120	237	160	24	64
	1 1/4"	140	274	180	29	78
	1 1/2"	160	319	200	36.8	88
	2"	210	345	200	48	88

手动凸耳/法兰式刀型闸阀
Manual Lug/Flanged Knife Gate Valve



技术参数 Technical parameters

公称压力 Nominal pressure	0.6MPa、1.0MPa、1.6MPa、150Lb
公称口径 Nominal diameter	DN50 - 1200mm NPS 2" - 40"
适用温度 Suitable temperature	-38 ~ +900°C (具体温度范围视密封副材质和介质性质而定 The specific temperature range depends on the material of the seal and the properties of the medium)
连接法兰 Connecting flange	ANSI B16.5、GB/T9113、JB/T79、HG、SH、JIS、DIN、NF、BS
主体材料 Host materials	WCB、ZG1Cr18Ni9Ti、ZG1Cr18Ni12Mo2Ti、CF8、CF8M、CF3、CF3M
密封型式 Seal type	硬密封、软密封 Hard seal, soft seal
泄漏量 Leakage	硬密封 D级(液体0.1 x DNmm³/s) 软密封 A级(零泄漏) Hard seal D-level (liquid 0.1 x DNmm³/s) Soft seal a-level (zero leakage)
配套附件 Provide ancillary	安装法兰 Mounting flange

主要外形及连接尺寸 Main external and connecting dimensions(mm)

MPa	DN	L		D	D1	D2	H	N-M	Do
		系列1 Series 1	系列2 Series 2						
1.0MPa	50	50	48	160	125	100	285	4-M16	180
	65	50	48	180	145	120	298	4-M16	180
	80	50	51	195	160	135	315	4-M16	220
	100	50	51	215	180	155	365	8-M16	220
	125	50	57	245	210	185	400	8-M16	230
	150	60	57	280	240	210	475	8-M20	280
	200	60	70	335	295	265	540	8-M20	360
	250	70	70	390	350	320	630	12-M20	360
	300	80	76	440	400	368	780	12-M20	400
	350	90	76	500	460	428	885	16-M20	400
	400	100	89	565	515	482	990	16-M22	400
	450	120	89	615	565	532	1100	20-M22	530
	500	130	114	670	620	585	1200	20-M22	530
	600	130	114	780	725	685	1450	20-M27	600
700	154	117	895	840	800	1700	24-M27	600	
800	160	130	1010	950	898	2000	24-M30	680	
900	203	160	1110	1050	1005	2300	28-M30	680	
1000	216	216	1220	1160	1115	2500	28-M30	700	
1200	254	254	1450	1380	1325	2800	32-M36	800	

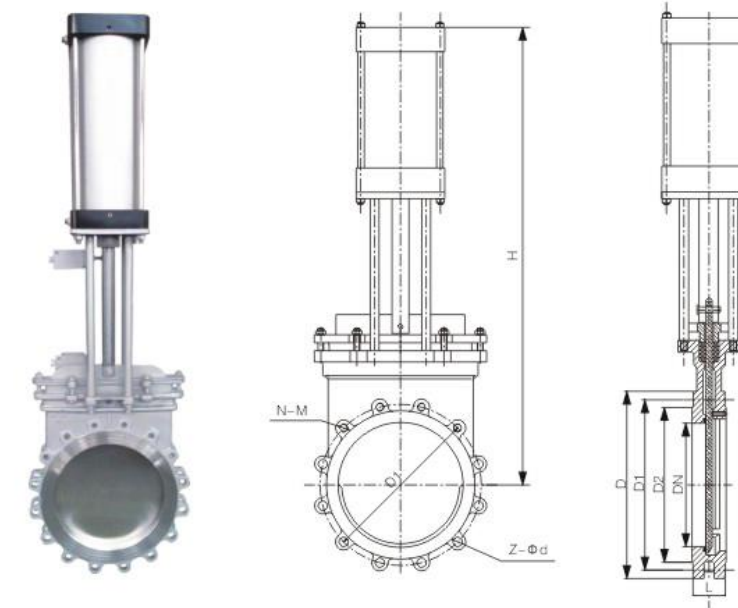
主要外形及连接尺寸 Main external and connecting dimensions(mm)

MPa	DN	L		D	D1	D2	H	N-M	Do
		系列1 Series 1	系列2 Series 2						
1.6MPa	50	50	48	160	125	99	285	4-M16	180
	65	50	48	185	145	120	298	4-M16	180
	80	50	51	200	160	135	315	8-M16	220
	100	50	51	220	180	155	365	8-M16	220
	125	50	57	250	210	185	400	8-M16	230
	150	60	57	285	240	210	475	8-M20	280
	200	60	70	340	295	265	540	12-M20	360
	250	70	70	405	355	320	630	12-M24	360
	300	80	76	460	410	375	780	12-M24	400
	350	90	76	520	470	435	885	16-M24	400
	400	100	89	580	525	485	990	16-M27	400
	450	120	89	640	585	545	1100	20-M27	530
	500	130	114	715	650	609	1200	20-M30	530
	600	130	114	840	770	720	1450	20-M33	600
700	154	117	910	840	788	1700	24-M33	600	
800	160	130	1025	950	898	2000	24-M36	680	
900	203	160	1125	1050	988	2300	28-M36	680	

注：系列1为国标GB/T 15188.2-1994(德标DIN3202-1999) 系列2为美标MSS SP-81-2006在客户没有指定结构长度的情况下优先选用系列1。
Note: Series 1 is GB/T15188.2-1994 (DIN3202-1999) Series 2 is ANSI MSS SP-81-2006
Series 1 is preferred in cases where the customer does not specify the length of the structure.

气动刀型闸阀
Pneumatic Knife Gate Valve

闸阀系列
Gate Valve Series

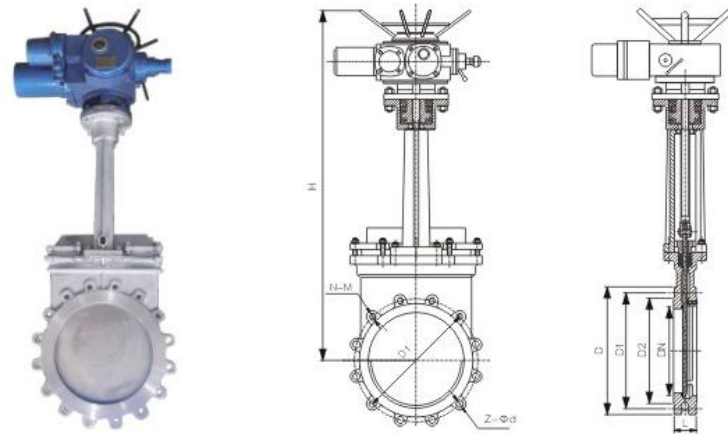


技术参数 Technical parameters

公称压力 Nominal pressure	0.6MPa、1.0MPa、1.6MPa、150Lb
公称口径 Nominal diameter	DN50 - 1200mm NPS 2" - 40"
适用温度 Suitable temperature	-38 ~ +900°C (具体温度范围视密封副材质和介质性质而定 The specific temperature range depends on the material of the seal and the properties of the medium)
连接法兰 Connecting flange	ANSI B16.5、GB/T9113、JB/T79、HG、SH、JIS、DIN、NF、BS
主体材料 Host materials	WCB、ZG1Cr18Ni9Ti、ZG1Cr18Ni12Mo2Ti、CF8、CF8M、CF3、CF3M
密封型式 Seal type	硬密封、软密封 Hard seal, soft seal
泄漏量 Leakage	硬密封 D级(液体0.1 x DNmm³/s) 软密封 A级(零泄漏) Hard seal D-level (liquid 0.1 x DNmm³/s) Soft seal a-level (zero leakage)
配套附件 Provide ancillary	安装法兰 Mounting flange

主要外形及连接尺寸 Main external and connecting dimensions(mm)

公称口径 Nominal diameter	Inch	mm	L	D	D1	D2	法兰孔数 Flange hole	通孔直径 Spindle bore
2 1/2"	65	48	178	139.5	105	4-W5/8	19	
3"	80	51	190	152.5	127	4-W5/8	19	
4"	100	51	229	190.5	157	8-W5/8	19	
5"	125	57	254	216.5	186	8-W3/4	22	
6"	150	57	279	241.5	216	8-W3/4	22	
8"	200	70	343	298.5	270	8-W3/4	22	
10"	250	70	406	362	324	12-W7/8	25	
12"	300	76	483	432	384	12-W7/8	25	
14"	350	76	533	476	413	12-W1	29	
16"	400	89	597	539.5	470	16-W1	29	
18"	450	89	635	578	533	16-W1 1/8	32	
20"	500	114	698	635	584	20-W1 1/8	32	
24"	600	114	813	749.5	692	20-W1 1/4	32	
28"	700	117	927	863.6	800	28-W1 1/4	35	
30"	750	117	984	914.4	857	28-W1 1/4	35	
32"	800	130	1060	978	914.4	28-W1 1/2	41	
36"	900	160	1168	1086	1022	32-W1 1/2	41	



技术参数 Technical parameters

公称压力 Nominal pressure	0.6MPa、1.0MPa、1.6MPa、150Lb
公称通径 Nominal diameter	DN50 ~ 1200mm NPS 2" ~ 40"
适用温度 Suitable temperature	-38 ~ +900°C (具体温度范围视密封材质和介质性质而定 The specific temperature range depends on the material of the seal and the properties of the medium)
连接法兰 Connecting flange	ANSI B16.5、GB/T9113、JB/T79、HG、SH、JIS、DIN、NF、BS
主体材料 Host materials	WCB、ZG1Cr18Ni9Ti、ZG1Cr18Ni12Mo2Ti、CF8、CF8M、CF3、CF3M
密封型式 Seal type	硬密封、软密封 Hard seal, soft seal
泄漏量 Leakage	硬密封 D级 (液体 0.1 × DNmm ³ /s) 软密封 A级 (零泄漏) Hard seal D-level (liquid 0.1 × DNmm ³ /s) Soft seal a-level (zero leakage)
配套附件 Provide ancillary	安装法兰 Mounting flange

主要外形及连接尺寸 Main external and connecting dimensions (mm)

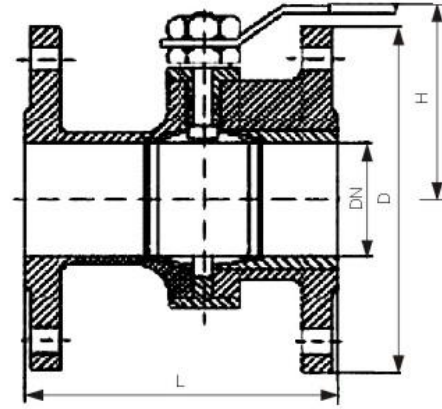
MPa	DN	L		D	D1	D2	H	N-M	Do
		系列1 Series 1	系列2 Series 2						
1.0MPa	50	50	48	160	125	100	285	4-M16	180
	65	50	48	180	145	120	298	4-M16	180
	80	50	51	195	160	135	315	4-M16	220
	100	50	51	215	180	155	365	8-M16	220
	125	50	57	245	210	185	400	8-M16	230
	150	60	57	280	240	210	475	8-M20	280
	200	60	70	335	295	265	540	8-M20	360
	250	70	70	390	350	320	630	12-M20	360
	300	80	76	440	400	368	780	12-M20	400
	350	90	76	500	460	428	885	16-M20	400
	400	100	89	565	515	482	990	16-M22	400
450	120	89	615	565	532	1100	20-M22	530	
500	130	114	670	620	585	1200	20-M22	530	
600	130	114	780	725	685	1450	20-M27	600	

MPa	DN	L		D	D1	D2	H	N-M	Do
		系列1 Series 1	系列2 Series 2						
1.6MPa	50	50	48	160	125	99	285	4-M16	180
	65	50	48	185	145	120	298	4-M16	180
	80	50	51	200	160	135	315	8-M16	220
	100	50	51	220	180	155	365	8-M16	220
	125	50	57	250	210	185	400	8-M16	230
	150	60	57	285	240	210	475	8-M20	280
	200	60	70	340	295	265	540	12-M20	360
	250	70	70	405	355	320	630	12-M24	360
	300	80	76	460	410	375	780	12-M24	400
	350	90	76	520	470	435	885	16-M24	400
	400	100	89	580	525	485	990	16-M27	400
450	120	89	640	585	545	1100	20-M27	530	
500	130	114	715	650	609	1200	20-M30	530	
600	130	114	840	770	720	1450	20-M33	600	

注：系列1为国标GB/T 15188.2-1994(德标DIN3202-1999) 系列2为美标MSS SP-81-2006 在客户没有指定结构长度的情况下优先选用系列1。
Note: Series 1 is GB/T15188.2-1994 (DIN 3202-1999) Series 2 is ANSI MSS SP-81-2006
Series 1 is preferred in cases where the customer does not specify the length of the structure.

球阀系列
Ball Valve Series





主要零件及材料 Main parts and materials

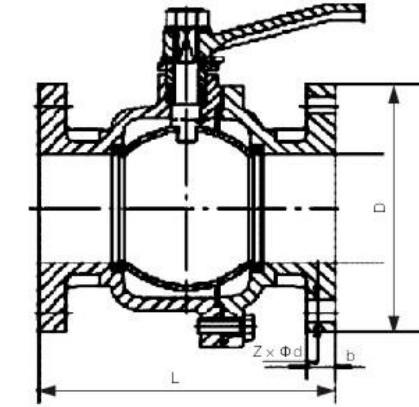
零件名称 Part name	材料 Material
阀体 Body	铸铁 Cast iron
球 Ball	304
阀杆 Stem	416
阀座 Seat	PTFE

设计标准 Valve design

技术规范 Technical specification	
设计标准 Valve design	BS 5159
结构长度 Face to Face	DIN 3202
试验标准 Pressure test	API 598
连接法兰 Flange Drilling	DIN 2501/DIN 2533

主要外形及连接尺寸 Main external and connecting dimensions(mm)

DN	L	D	D1	PCD	n-d
25	125	115	68	85	4-14
32	130	140	78	100	4-18
40	140	150	88	110	4-18
50	150	165	102	125	4-18
65	170	185	122	145	4-18
80	180	200	138	160	8-18
100	190	220	158	180	8-18
125	325	250	188	210	8-18
150	350	285	212	240	8-23
200	400	340	268	295	12-23
250	450	405	320	355	12-27



主要零件及材料 Main parts and materials

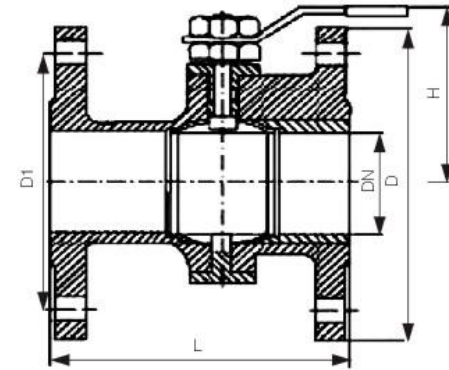
零件名称 Part name	材料 Material
阀体 Body	铸铁 Cast iron
球 Ball	304
阀杆 Stem	416
阀座 Seat	PTFE

设计标准 Valve design

技术规范 Technical specification	
设计标准 Valve design	BS5159
结构长度 Face to Face	KSB2306
试验标准 Pressure test	KSB2304
连接法兰 Flange Drilling	KSB1511 JIS B2239

主要外形及连接尺寸 Main external and connecting dimensions(mm)

Size	L	D	b	z-d
40	165	140	19	4-19
50	180	155	20	4-19
65	190	175	20	4-19
80	200	185	21	8-19
100	230	210	22	8-19
125	265	250	22	8-23
150	277	280	23	8-23
200	340	330	26	12-23



主要零件及材料 Main parts and materials

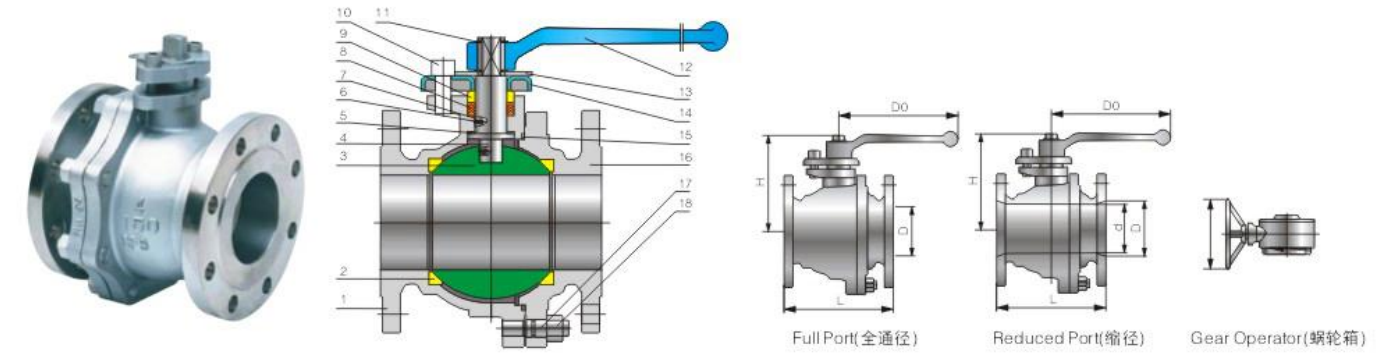
零件名称 Part name	材料 Material
阀体 Body	铸铁 Cast iron
球 Ball	304
阀杆 Stem	不锈钢 Stainless Steel 416 304
阀座 Seat	PTFE

设计标准 Valve design

技术规范 Technical specification	
设计标准 Valve design	MSS SP-72
结构长度 Face to Face	ANSI B16.10
试验标准 Pressure test	API598
连接法兰 Flange Drilling	ANSI B16.1

主要外形及连接尺寸 Main external and connecting dimensions(mm)

Size	L	H	D	D1
50	178	144	152	120.65
65	190	163	178	139.7
80	203	187	190	152.5
100	229	205	229	190.5
125	254		254	219.5
150	267		279	241.3
200	292		343	298.45
250	330		406	361.95



主要零件材质 Material List

序号 No.	部件 Parts	材质 Material
1	阀体 Body	ASTM A216 Gr.WCB
2	阀座密封圈 Seat Seal	PTFE
3	球体 Ball	304S.S.
4	阀杆 Stem	ASTM A182 F6a
5	垫片 Gasket	PTFE
8	填料 Packing	PTFE
12	手柄 Lever	ASTM A216 Gr.WCB
16	阀盖 Bonnet	ASTM A216 Gr.WCB
17	螺栓 Stud	ASTM A193 Gr.B7

设计标准 Valve design

技术规范 Technical specification	
设计标准 Valve design	API 608/BS 5351/API 6D
结构长度 Face to Face	ASME B16.10
法兰尺寸 Flanged End	ASME B16.5
阀体壁厚 Shell Wall Thickness	BS 5351
测试标准 Valve Test	API 598

注：阀体材质有ASTM A216 WCB、A352 LCB、A217 WC1 WC6、WC9、C5、A351 CF8 CF8M、CF3、CF3M 本表仅以ASTM A216 WCB为例。
Note: Body materials are ASTM A216 WCB, A352 LCB, A217 WC1 WC6, WC9, C5, A351 CF8 CF8M, CF3, CF3M This table is only ASTM A216 WCB as an example.

结构尺寸 Dimensions

Class 150

Type	NPS(in)	1/2	3/4	1	1 1/2	2	3	4	6	8
全口径 Full bore	D(mm)	13	19	25	38	51	64	76	102	203
	L(mm)	108	117	127	165	178	203	229	394	457
	H(mm)	61	66	76	95	142	156	181	270	345
	Do(mm)	130	130	160	230	400	400	700	300*	300*
缩径 Reduced bore	NPS(in)	3/4*1/2	1*3/4	1 1/2*1	2*1 1/2	3*2	4*3	6*4	8*6	10*8
	L(mm)	117	127	165	178	203	229	267	292	330
	D(mm)	19	25	38	63	76	102	152	203	254
	H(mm)	82	85	100	120	153	162	119	290	340
Do(mm)		130	130	160	230	400	400	460	300*	300*
	d(mm)	13	19	25	51	63	76	105	152	203

Class 300

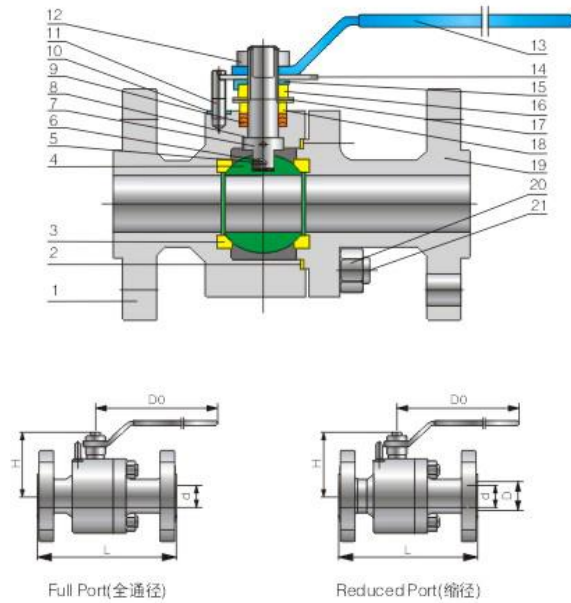
Type	NPS(in)	1/2	3/4	1	1 1/2	2	3	4	6	8
全口径 Full bore	D(mm)	13	19	25	38	51	64	76	102	203
	L(mm)	140	152	165	190	216	282	305	403	419
	H(mm)	62	68	80	100	148	162	188	283	360
	Do(mm)	150	150	180	250	400	400	700	300*	400*
缩径 Reduced bore	NPS(in)	3/4*1/2	1*3/4	1 1/2*1	2*1 1/2	3*2	4*3	6*4	8*6	
	L(mm)	152	165	190	216	282	305	403	419	
	D(mm)	19	25	38	63	76	102	152	203	
	H(mm)	82	85	100	120	153	162	191	290	
Do(mm)		130	130	160	230	400	400	460	300*	
	d(mm)	13	19	25	50	63	76	102	152	

主要零件材质 Material List

序号 No.	部件 Parts	材质 Material
1	阀体 Body	ASTM A105
2	垫片 Gasket	PTFE
3	阀座 Seat	R-PTFE
4	球体 Ball	304 S.S.
5	钢球 Steel Ball	304 S.S.
6	防静电弹簧 Anti-static Spring	304 S.S.
7	阀杆 Stem	ASTM A182 F6a
8	垫片 Gasket	PTFE
9	填料 Packing	PTFE
10	锁紧圆盘 Plate	AISI 1045
11	螺钉 Nut	ASTM A193 Gr.B7
12	螺母 Nut	ASTM A194 Gr.2H
13	手柄 Lever	ASTM A216 Gr.WCB
14	限位块 Gauge Block	AISI 1010 Zinc-coated
15	止推垫片 Bushing Gasket	AISI 1045
16	螺母 Nut	ASTM A194 Gr-2H
17	弹垫 Gland	304 S.S.
18	填料压套 Gland Bushing	ASTM A276 410
19	阀盖 Bonnet	ASTM A105
20	螺母 Nut	ASTM A194 Gr.2H
21	螺栓 Stud	ASTM A193 Gr.B7

注：阀体材质有ASTM A105、F304L、F316L，本表仅以ASTM A216 WCB为例。

Note: The body material is ASTM A105, F304L, F316L, this table is only ASTM A216 WCB as an example.



结构尺寸 Dimensions

Class 600

Type	NPS(in)	1/2	3/4	1	1 1/2	2	3
全通径 Full bore	L(mm)	165	190	216	241	292	356
	D(mm)	13	19	25	38	51	76
	H(mm)	98	103	122	135	151	177
	Do(mm)	140	140	170	260	300	450
缩径 Reduced bore	NPS(in)	3/4*1/2	1*3/4	1 1/2*1	2*1 1/2	3*2	
	L(mm)	190	216	241	292	356	
	D(mm)	19	25	38	51	76	
	H(mm)	98	103	122	135	151	
	Do(mm)	140	140	170	260	300	
d(mm)	13	19	25	38	51		

Class 900

Type	NPS(in)	1/2	3/4	1	1 1/2	2	3
全通径 Full bore	L(mm)	216	229	216	305	368	381
	D(mm)	13	19	25	38	51	76
	H(mm)	115	122	125	157	178	208
	Do(mm)	160	230	230	400	400	500
缩径 Reduced bore	NPS(in)	3/4*1/2	1*3/4	1 1/2*1	2*1 1/2	3*2	
	L(mm)	229	254	305	368	381	
	D(mm)	19	25	38	51	76	
	H(mm)	115	122	125	157	178	
	Do(mm)	160	230	230	400	400	
d(mm)	13	19	25	38	51		

固定式球阀
Trunnion Mounting Ball Valve

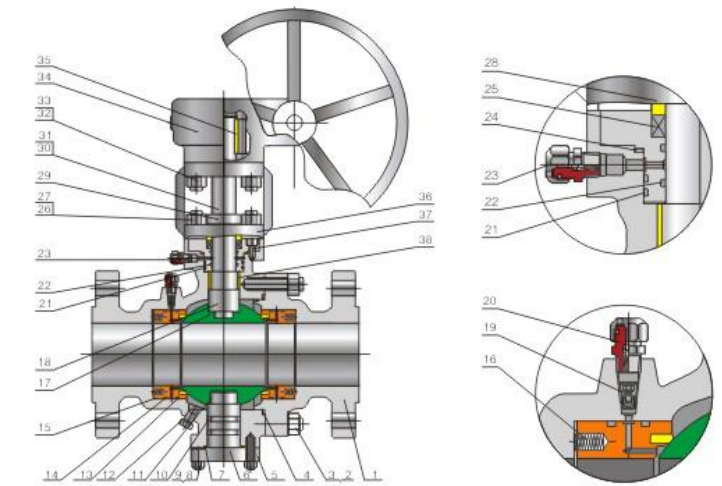
球阀系列
Ball Valve Series

结构特点

两片式阀体
按API要求设计
防静电，防吹出阀杆设计
阀座紧密接触
设计为最小摩擦以降低操作扭矩
双阻塞及泄放结构，利于阀体腔液体的排放
可设计成全通径或缩径
防火实验符合BS EN 12266-2, API 607和API 6FA
根据客户要求，可配电动，气动或液动执行机构

Features Two-piece body.

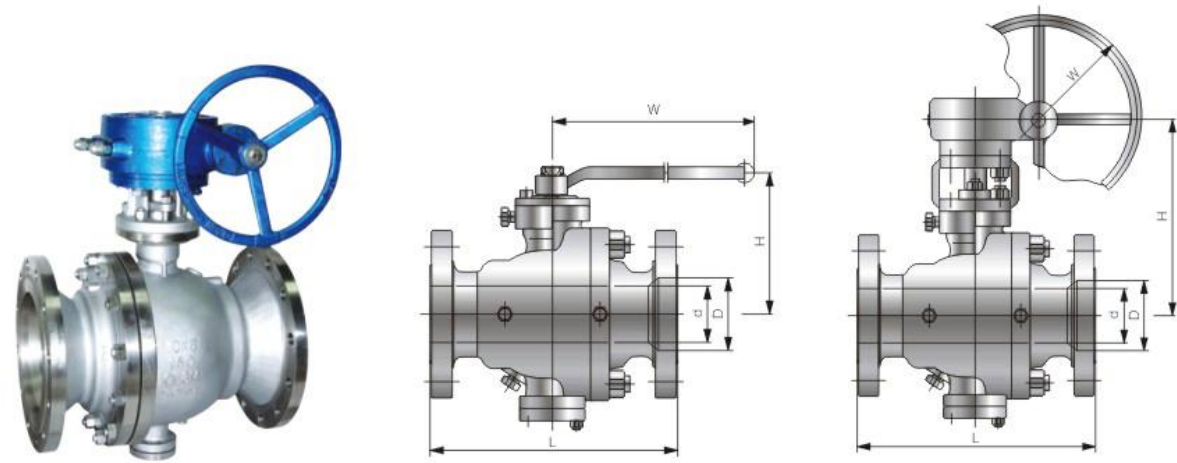
Valve is designed in accordance with the requirements of API 6D for pipeline service.
Antistatic and anti blow-out stem design.
Seat design gives perfect tightness and is available as either self-relieving type or double piston effect type.
Design minimizes friction leading to low operating torque.
Available as double block and bleed device, which allows for venting and draining of ling fluid from the body cavity.
Full and Reduced bore Available.
Ball valves fire safe tested according to BS EN 12266-2, API 6FA and API 607
Electric, pneumatic and hydraulic actuators are available based on customer's requirement.



主要零件材质 Material Specifications

序号 No.	部件名称 Parts	标准 Standard	不锈钢 Stainless steel	酸性介质 Sour Service	低温介质 Low Temperature Service
1	阀体 Body	ASTM A216 WCB	ASTM A351 CF8M	ASTM A216 WCB	ASTM A352 LCB
2	阀体螺栓 Body Stud	ASTM A193 B7	ASTM A193 B8	ASTM A193 B7M	ASTM A320 L7M
3	阀体螺母 Body Nut	ASTM A194 2H	ASTM A194 8	ASTM A194 2HM	ASTM A194 7M
4	垫片 Body Gasket	316ss+Graphite	316ss+Graphite	316ss+Graphite	316ss+Graphite
5	阀盖 LowCover	Carbon Steel	S.S.	Carbon Steel	Carbon Steel
6	固定支撑 Thunnion Support	ASTM A216 WCB/ENP	ASTM A21 6 WICB/ENP	ASTM A216 WCB/ENP	ASTM A216 WCB/ENP
7	垫片 Thrust Washer	31 6+PTFE+MoS2	316+PTFE+MoS2	316+PTFE+MoS2	316+PTFE+MoS2
8	螺栓 Stud	ASTM A193 B7	ASTM A193 B8	ASTM A193 B7M	ASTM A320 L7M
9	螺母 Nut	ASTM A194 2H	ASTM A194 8	ASTM A194 2HM	ASTM A194 7M
10	O型圈 O-Ring	NBR	NBR	NBR	NBR
11	轴承 Bearing	316+PTFE+MoS2	316+PTFE+MoS2	316+PTFE+MoS2	316+PTFE+MoS2
12	排污塞 Drain Plug	Assembly	Assembly	Assembly	Assembly
13	阀座插件 Seat Insert	25% Glass-filled PTFE	25% Glass-filled PTFE	25% Glass-filled PTFE	25% Glass-filled PTFE
14	O型圈 O-Ring	NBR	NBR	NBR	NBR
15	阀座弹簧 Seat Spring	ASTM A1 05/ENP	ASTM A182 F316	ASTM A105/ENP	ASTM A350 LF2/ENP
16	阀座弹簧 seat Spring	Inconel X-750	Inconel X-750	Inconel X-750	Inconel X-750
17	球体 Ball	ASTM A105/ENP	ASTM A182 F316	ASTM A105/ENP	ASTM A350 LF2/ENP
18	阀杆 Stem	ASTM A182 F316	ASTM A182 F316	ASTM A182 F316	ASTM A182 F316
19	注脂装置 Seat Injection	Assembly	Assembly	Assembly	Assembly
20	注脂装置 Sealant Fitting	Assembly	Assembly	Assembly	Assembly
21	O型圈 O-Ring	NBR	NBR	NBR	NBR
22	O型圈 O-Ring	NBR	NBR	NBR	NBR
23	注脂装置 Sealant Fitting	Assembly	Assembly	Assembly	Assembly
24	垫片 Gasket	316ss+Graphite	316ss+Graphite	316ss+Graphite	316ss+Graphite
25	垫片 Packing	Graphite	Graphite	Graphite	Graphite
26	螺栓 Stud	ASTM A193 B7	ASTM A193 B8	ASTM A193 B7M	ASTM A320 L7M
27	螺母 Nut	ASTM A194 2H	ASTM A194 8	ASTM A194 2HM	ASTM A194 7M
28	填料 Gland	AsTM A182 F316	ASTM A182 F316	ASTM A182 F316	ASTM A182 F316
29	填料压盖 Gland Flange	ASTM A216 WCB	ASTM A351 CF8M	ASTM A216 WCB	ASTM A352 LCB
30	螺栓 stud	ASTM A193 B7	ASTM A193 B8	ASTM A193 B7M	ASTM A320 L7M
31	螺母 Nut	ASTM A194 2H	ASTM A194 8	ASTM A194 2HM	ASTM A194 7M
32	螺栓 Stud	ASTM A193 B7	ASTM A193 B8	ASTM A193 B7M	AsTM A320 L7M
33	螺母 Nut	ASTM A194 2H	ASTM A194 8	ASTM A194 2HM	ASTM A194 7M
34	蜗轮 Worm	Assembly	Assembly	Assembly	Assembly
35	定位销 Key	Carbon Steel	S.S.	Carbon Steel	ASTM A182 F304
36	支架 Yoke	ASTM A216 WCB	ASTM A351 CF8M	ASTM A216 WCB	ASTM A352 LCB
37	螺栓 Bolt	Carbon Steel	S.S.	Carbon Steel	Carbon Steel
38	轴承 Bearing	31 6+PTFE+MoS2	316+PTFE+MoS2	31 6+PTFE+MoS2	316+PTFE+MoS2

两片式固定球阀
2PC Trunnion Mounted Ball Valve



全口径 Full Port (Class 150)

尺寸 Size(in.)	D(mm)	L(mm)	H(mm)	W(mm)
2	51	178	165	230
3	76	203	193	400
4	102	229	231	460
6	152	394	390	1000
8	203	457	495	*500
10	254	533	505	*500
12	305	610	560	*500
14	337	686	600	*500
16	387	762	750	*500
18	438	864	845	*500
20	489	914	910	*500
22	540	1000	1000	*500
24	591	1067	1065	*500

全口径 Full Port (Class 300)

尺寸 Size(in.)	D(mm)	L(mm)	H(mm)	W(mm)
2	51	216	165	230
3	76	283	193	400
4	102	305	231	750
6	152	403	390	1000
8	203	502	495	1500
10	254	568	505	*500
12	305	648	560	*500
14	337	762	600	*500
16	387	838	750	*500
18	438	914	845	*500
20	489	991	910	*500
22	540	1092	1000	*500
24	591	1143	1065	*500

缩径 Reduced Port (Class 150)

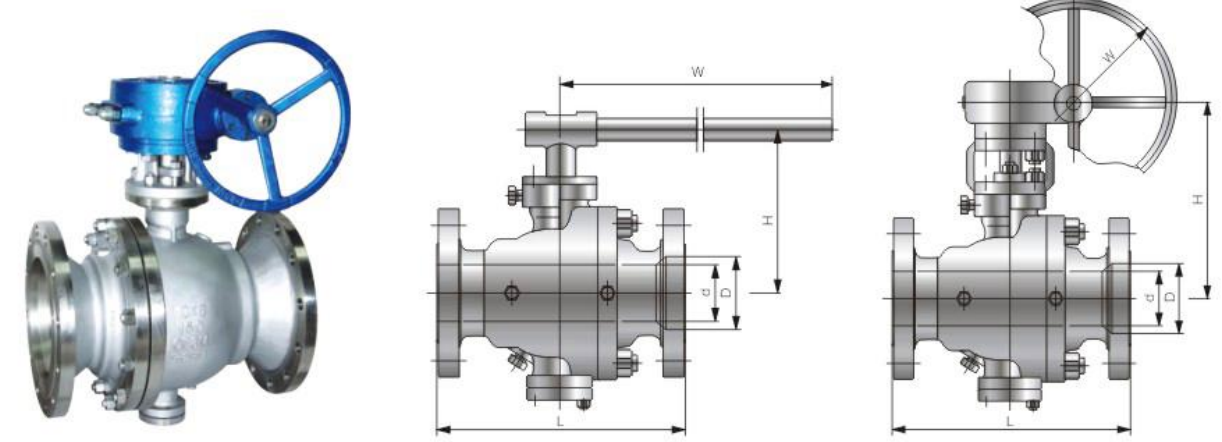
尺寸 Size(in.)	d(mm)	D(mm)	L(mm)	H(mm)	W(mm)
3 × 2 × 3	51	76	203	165	230
4 × 3 × 4	76	102	229	193	400
6 × 4 × 6	102	152	394	231	460
8 × 6 × 8	152	203	457	390	460
10 × 8 × 10	203	254	533	495	1000
12 × 10 × 12	254	305	610	505	*500
14 × 12 × 14	305	337	686	560	*500
16 × 14 × 16	337	387	762	600	*500
18 × 16 × 18	387	438	864	750	*500
20 × 18 × 20	438	489	914	845	*500
22 × 20 × 22	489	540	1016	910	*500
24 × 22 × 24	540	591	1067	1000	*500

缩径 Reduced Port (Class 300)

尺寸 Size(in.)	d(mm)	D(mm)	L(mm)	H(mm)	W(mm)
3 × 2 × 3	51	76	283	165	230
4 × 3 × 4	76	102	305	193	400
6 × 4 × 6	102	152	403	231	750
8 × 6 × 8	152	203	502	390	1000
10 × 8 × 10	203	254	568	495	1500
12 × 10 × 12	254	305	648	505	*500
14 × 12 × 14	305	337	762	560	*500
16 × 14 × 16	337	387	838	600	*500
18 × 16 × 18	387	438	914	750	*500
20 × 18 × 20	438	489	991	845	*500
22 × 20 × 22	489	540	1092	910	*500
24 × 22 × 24	540	591	1143	1000	*500

两片式固定球阀
2PC Trunnion Mounted Ball Valve

球阀系列
Ball Valve Series



全口径 Full Port (Class 150)

尺寸 Size(in.)	D(mm)	L(mm)	H(mm)	W(mm)
2	51	292	176	400
3	76	356	247	750
4	102	432	335	1000
6	152	559	420	1500
8	203	660	430	*500
10	254	787	520	*500
12	305	838	665	*500
14	337	889	720	*500
16	387	991	780	*500
18	438	1092	950	*500
20	489	1194	1010	*500
24	591	1397	1120	*500

缩径 Reduced Port (Class 150)

尺寸 Size(in.)	d(mm)	D(mm)	L(mm)	H(mm)	W(mm)
3 × 2 × 3	51	76	356	176	400
4 × 3 × 4	76	102	432	247	750
6 × 4 × 6	102	152	559	335	1000
8 × 6 × 8	152	203	660	420	1500
10 × 8 × 10	203	254	787	430	*500
12 × 10 × 12	254	305	838	520	*500
14 × 12 × 14	305	337	889	665	*500
16 × 14 × 16	337	387	991	720	*500
18 × 16 × 18	387	438	1092	780	*500
20 × 18 × 20	438	489	1194	950	*500
24 × 22 × 24	489	591	1397	1010	*500

全口径 Full Port (Class 300)

尺寸 Size(in.)	D(mm)	L(mm)	H(mm)	W(mm)
2	51	368	192	460
3	76	381	279	1000
4	102	457	355	1500
6	152	610	385	*500
8	203	737	460	*500
10	254	838	600	*500
12	305	965	690	*500
14	324	1029	785	*500
16	375	1130	850	*500
18	426	1219	915	*500
20	473	1321	975	*610
24	572	1549	1030	*610

缩径 Reduced Port (Class 300)

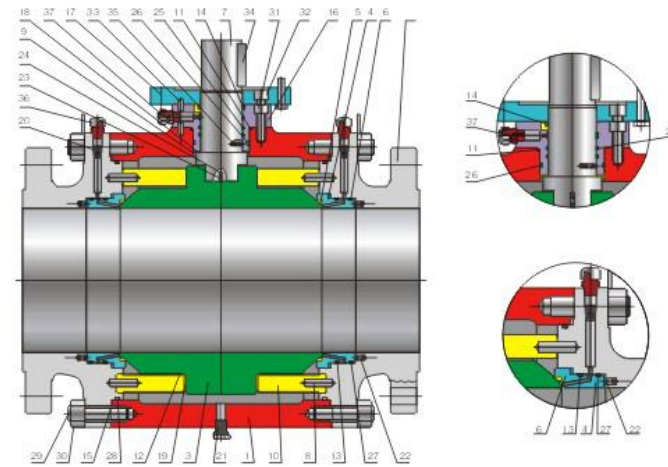
尺寸 Size(in.)	d(mm)	D(mm)	L(mm)	H(mm)	W(mm)
3 × 2 × 3	51	76	381	192	460
4 × 3 × 4	76	102	457	279	1000
6 × 4 × 6	102	152	610	355	1500
8 × 6 × 8	152	203	737	385	*500
10 × 8 × 10	203	254	838	460	*500
12 × 10 × 12	254	305	965	600	*500
14 × 12 × 14	305	324	1029	690	*500
16 × 14 × 16	324	375	1130	785	*500
18 × 16 × 18	375	426	1219	850	*500
20 × 18 × 20	426	473	1321	915	*500
24 × 22 × 24	473	572	1549	975	*610

结构特点

三片式阀体
按API要求设计
防静电, 防吹出阀杆设计
阀座紧密接触
设计为最小摩擦以降低操作扭矩
双阻断及泄放结构, 利于阀体腔液体的排放
可设计成全通径或缩径
防火实验符合BS EN 12266-2, API 607和API 6FA
根据客户要求, 可配电动, 气动或液动执行机构

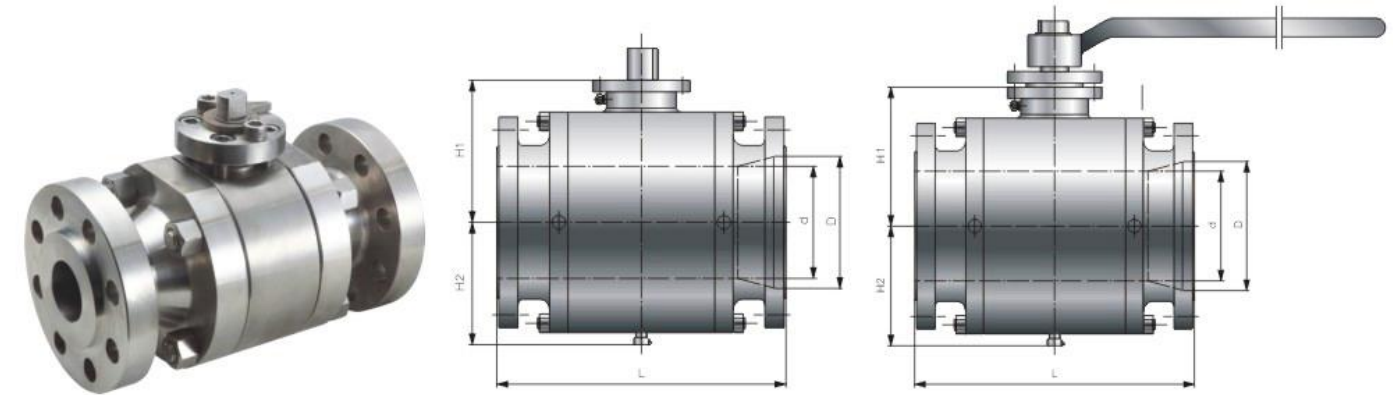
Features Three-piece body.

Valve is designed in accordance with the requirements of API 6D for pipeline service.
Antistatic and anti blow-out stem design.
Seat design gives perfect tightness and is available as either self-relieving type or double piston effect type.
Design minimizes friction leading to low operating torque.
Available as double block and bleed device, which allows for venting and draining of ling fluid from the body cavity.
Full and Reduced bore Available.
Ball valves fire safe tested according to BS EN 12266-2, API 6FA and API 607
Electric, pneumatic and hydraulic actuators are available based on customer's requirement.



主要零件材质 Material Specifications

序号 No.	部件 Parts	标准 Standard	不锈钢 Stainless steel	酸性介质 Sour Service	低温介质 Low Temperature Service
1	阀体 Body	ASTM A105	ASTM A182 F316	ASTM A105	ASTM A350 LF2
2	填料 Closure	ASTM A105	ASTM A182 F316	ASTM A105	ASTM A350 LF2
3	球体 Ball	ASTM A105/ENP	ASTM A182 F316	ASTM A105/ENP	A350 LF2/ENP
4	阀座组件 Seat Assembly	Assembled	Assembled	Assembled	Assembled
5	阀座插件 Seat Insert	25% Glass-filled PTFE	25% Glass-filled PTFE	25% Glass-filled PTFE	25% Glass-filled PTFE
6	阀圈 Seat Ring	ASTM A105/ENP	ASTM A182 F316	ASTM A105/ENP	A350 LF2/ENP
7	阀杆 Stem	ASTM A182 F6a	ASTM A182 F316	ASTM A182 F316	ASTM A182 F316
8	销 Trunnion Alignment Pin	ASTM A182 F316	ASTM A182 F316	ASTM A182 F316	ASTM A182 F316
9	垫片 Shim	ASTM A182 F316	ASTM A182 F316	ASTM A182 F316	ASTM A182 F316
10	固定支撑 Trunnion Support	ASTM A105/ENP	ASTM A182 F316	ASTM A105/ENP	A350 LF2/ENP
11	垫片 Gasket	316 S.S.+G raphite	316 S.S.+Graphite	316 S.S.+Graphite	316 S.S.+Graphite
12	垫片 Gasket	316 S.S.+Graphite	316 S.S.+Graphite	316 S.S.+Graphite	316 S.S.+Graphite
13	垫片 Gasket	316 S.S.+G raphite	316 S.S.+Graphite	316 S.S.+Graphite	316 S.S.+Graphite
14	垫片 Spacer	PTFE	PTFE	PTFE	PTFE
15	防火垫片 Firesafe Gasket	316 S.S.+G raphite	316 S.S.+Graphite	316 S.S.+Graphite	316 S.S.+Graphite
16	填料压盖 Gland Cap	ASTM A105	ASTM A182 F316	ASTM A105	ASTM A350 LF2
17	上法兰 Top Flange	ASTM A105	ASTM A182 F316	ASTM A105	ASTM A350 LF2
18	垫片 Thrust Washer	316 S.S.+PTFE+MoS2	316 S.S.+PTFE+MoS2	316 S.S.+PTFE+MoS2	316 S.S.+PTFE+MoS2
19	轴承 Bearing	316 S.S.+PTFE+MoS2	316 S.S.+PTFE+MoS2	316 S.S.+PTFE+MoS2	316 S.S.+PTFE+MoS2
20	排气阀 Vent Valve	Assembly	Assembly	Assembly	Assembly
21	排水管 Drain	S.S.	S.S.	S.S.	S.S.
22	阀座弹簧 Seat Spring	Inconel X-750	Inconel X-750	Inconel X-750	Inconel X-750
23	弹簧 Grounding Spring	S.S.	S.S.	S.S.	S.S.
24	柱塞 Grounding Plunger	ASTM A182 F316	ASTM A182 F316	ASTM A182 F316	ASTM A182 F316
25	O型圈 O-Ring	Viton	Viton	Viton	Viton
26	O型圈 O-Ring	Viton	Viton	Viton	Viton
27	O型圈 O-Ring	Viton	Viton	Viton	Viton
28	O型圈 O-Ring	Viton	Viton	Viton	Viton
29	阀体螺栓 Body Stud	ASTM A193 B7	ASTM A193 B8	ASTM A193 B7M	ASTM A320 L7M
30	阀体螺母 Body Nut	ASTM A194 2H	ASTM A194 8	ASTM A194 2HM	ASTM A194 7M
31	螺钉 Screw	C.S.	S.S.	C.S.	ASTM A320 L7M
32	螺钉 Screw	C.S.	S.S.	C.S.	ASTM A320 L7M
33	销 Gland Pin	C.S.	S.S.	C.S.	Carbon Steel
34	键 Key	C.S.	S.S.	C.S.	ASTM A182 F304
35	弹簧销 Spring Pin	C.S.	S.S.	C.S.	C.S.
36	注脂装置 Seat Injection	Assembly	Assembly	Assembly	Assembly
37	注脂装置 Stem Injection	Assembly	Assembly	Assembly	Assembly



全通径 Full Port (Class 150)

尺寸 Size(in.)	D(mm)	L(mm)	H1(mm)	H2(mm)
2	51	178	105	100
3	76	203	160	130
4	102	229	205	170
6	152	394	245	190
8	203	457	280	230
10	254	533	326	280
12	305	610	350	300
14	337	686	380	330
16	387	762	415	350
18	438	864	440	400
20	489	914	500	440
22	540	991	520	470
24	591	1067	585	530
26	635	1143	630	570
28	686	1244	645	650
30	736	1295	700	700
32	781	1371	740	750
34	832	1473	770	780
36	876	1524	820	800
40	978	1753	900	900
42	1022	1855	960	950
48	1168	2134	1100	1100

缩径 Reduced Port (Class 150)

尺寸 Size(in.)	d(mm)	D(mm)	L(mm)	H1(mm)	H2(mm)
3 x 2 x 3	51	76	203	105	100
4 x 3 x 4	76	102	229	160	130
6 x 4 x 6	102	152	394	205	170
8 x 6 x 8	152	203	457	245	190
10 x 8 x 10	203	254	533	280	230
12 x 10 x 12	254	305	610	326	280
14 x 10 x 14	254	337	686	320	280
14 x 12 x 14	305	337	686	350	300
16 x 12 x 16	305	387	762	350	300
16 x 14 x 16	337	387	762	380	330
18 x 16 x 18	387	438	864	415	350
20 x 16 x 20	387	489	914	415	350
22 x 18 x 22	438	489	914	440	400
24 x 20 x 24	489	591	1067	500	440
30 x 24 x 30	635	736	1296	585	530
36 x 30 x 36	781	876	1524	700	700

注:
1. 结构尺寸: API 6D
2. 规格 2"-24" 法兰标准按 ASME B 16.5
3. 规格 > 24" 法兰标准按 ASME B 16.47A

Notes:
1. Face-to-Face dimensions are according to API 6D
2. For 2"-24" flanges are according to ASME B 16.5
3. For > 24" flanges are according to ASME B 16.47A

三片式固定锻钢球阀
3PC Trunnion Mounted Forged Steel Ball Valve

全通径 Full Port (Class 300)

尺寸Size(in.)	D(mm)	L(mm)	H1(mm)	H2(mm)
2	51	216	105	100
3	76	282	160	130
4	102	305	205	170
6	152	403	245	190
8	203	502	280	230
10	254	568	326	280
12	305	648	350	300
14	337	762	380	330
16	387	838	415	350
18	438	914	440	400
20	489	991	500	440
22	540	1092	520	470
24	591	1143	585	530
26	635	1245	630	570
28	686	1346	645	650
30	736	1397	700	700
32	781	1524	740	750
34	832	1626	770	780
36	876	1727	820	800
40	978	1956	900	900
42	1022	2083	960	950
48	1168	2170	1100	1100

全通径 Full Port (Class 600)

尺寸Size(in.)	D(mm)	L(mm)	H1(mm)	H2(mm)
2	51	292	105	100
3	76	356	160	130
4	102	432	205	170
6	152	559	245	190
8	203	660	280	230
10	254	787	326	280
12	305	838	350	300
14	337	889	380	330
16	387	991	415	350
18	438	1092	440	400
20	489	1194	500	440
22	540	1296	520	470
24	591	1397	585	530
26	635	1448	630	570
28	686	1549	645	650
30	736	1651	700	700
32	781	1778	740	750
34	832	1930	770	780
36	876	2083	820	800
40	978	2337	900	900
42	1022	2437	960	950
48	1168	2540	1100	1100

缩径 Reduced Port (Class 300)

尺寸Size(in.)	d(mm)	D(mm)	L(mm)	H1(mm)	H2(mm)
3 × 2 × 3	51	76	283	105	100
4 × 3 × 4	76	102	305	160	130
6 × 4 × 6	102	152	403	205	170
8 × 6 × 8	152	203	502	245	190
10 × 8 × 10	203	254	568	280	230
12 × 10 × 12	254	305	648	326	280
14 × 10 × 14	254	337	762	320	280
14 × 12 × 14	305	337	762	350	300
16 × 12 × 16	305	387	838	350	300
16 × 14 × 16	337	387	838	380	330
18 × 16 × 18	387	438	914	415	350
20 × 16 × 20	387	489	991	415	350
22 × 18 × 22	438	489	991	440	400
24 × 20 × 24	489	591	1143	500	440
30 × 24 × 30	591	736	1397	585	530
36 × 30 × 36	736	876	1727	700	700

缩径 Reduced Port (Class 600)

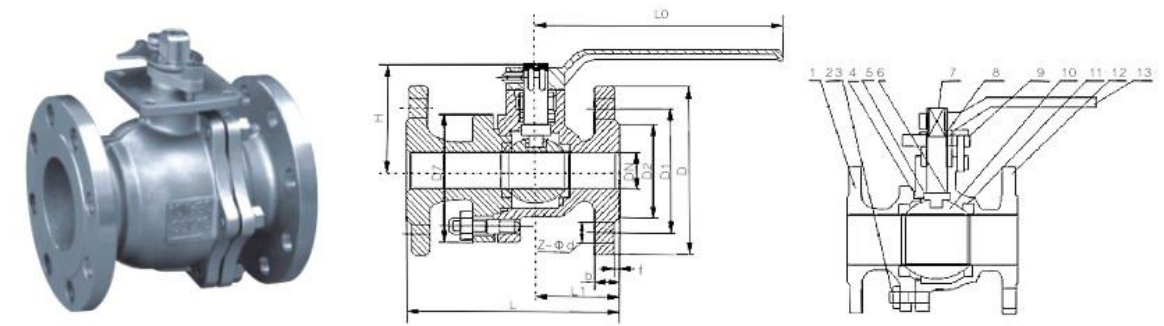
尺寸Size(in.)	d(mm)	D(mm)	L(mm)	H1(mm)	H2(mm)
3 × 2 × 3	51	76	356	105	100
4 × 3 × 4	76	102	432	160	130
6 × 4 × 6	102	152	559	205	170
8 × 6 × 8	152	203	660	245	190
10 × 8 × 10	203	254	787	280	230
12 × 10 × 12	254	305	838	326	280
14 × 10 × 14	254	337	889	320	280
14 × 12 × 14	305	337	889	350	300
16 × 12 × 16	305	387	991	350	300
16 × 14 × 16	337	387	991	380	330
18 × 16 × 18	387	438	1092	415	350
20 × 16 × 20	387	489	1194	415	350
22 × 18 × 22	438	489	1194	440	400
24 × 20 × 24	489	591	1397	500	440
30 × 24 × 30	591	736	1651	585	530
36 × 30 × 36	736	876	2083	700	700

注:
1. 结构尺寸: API 6D
2. 规格2"-24" 法兰标准按ASME B 16.5
3. 规格 > 24" 法兰标准按ASME B 16.47A

Notes:
1. Face-to-Face dimensions are according to API 6D
2. For 2"-24" flanges are according to ASME B 16.5
3. For > 24" flanges are according to ASME B 16.47A

日标铸钢球阀10K
JIS Cast Steel Ball Valve 10K

球阀系列
Ball Valve Series



主要零部件材料 Main part material

No.	零件名称 Accessory name	材料 Material		
1	阀体 Body	A216-WCB	SCS13	SCS13
7	阀杆 Stem	A182-F304	304SS	316SS
9	压盖 Gland Bush	A216-WCB	SCS13	SCS14
10	球体 Ball	A182-F304	304SS	316SS
11	阀座 Seat	PTFE	PTFE	PTFE
12	阀盖 Cover	A216-WCB	SCS13	SCS13
13	手柄 Lever	WCB	WCB	WCB

设计标准 Valve design

技术规范 Technical specification	
设计标准 Valve design	JIS B2071
结构长度 Face to Face	JIS B2002
试验标准 Pressure test	JIS B2003
连接法兰 Flange Drilling	JIS B1212 B2214

主要外形及连接尺寸 Main external and connecting dimensions(mm)

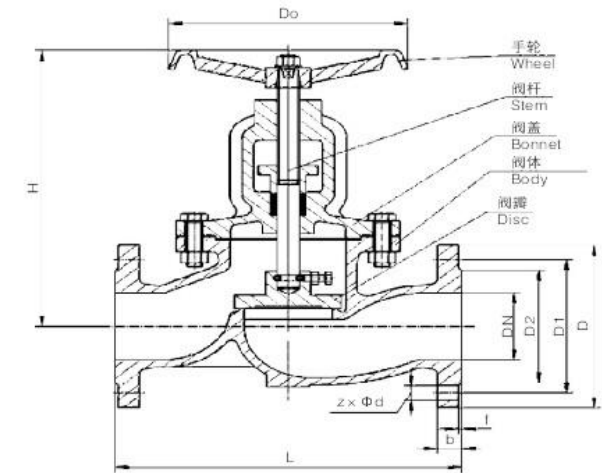
Pressure	DN	L	D	D1	D2	b	f	H	L0	Z-Φd
10K	15	108	95	70	52	12	1	55	115	4-15
	20	117	100	75	58	14	1	59	115	4-15
	25	127	125	90	70	14	1	70	150	4-19
	32	140	135	100	80	16	2	97	150	4-19
	40	165	140	105	85	16	2	97	200	4-19
	50	178	155	120	100	16	2	106	200	4-19
	65	190	175	140	120	18	2	141	320	4-19
	80	203	185	150	130	18	2	150	320	8-19
	100	229	210	175	155	18	2	183	450	8-19
	125	254	250	210	185	20	2	230	800	8-23
	150	267	280	240	215	22	2	250	800	8-23
	200	292	330	290	265	22	2	356	940	12-23
250	330	400	355	325	24	2	453	940	12-25	
20K	15	140	95	70	52	14	1	55	115	4-15
	20	152	100	75	58	16	1	59	115	4-15
	25	165	125	90	70	16	1	70	150	4-19
	32	178	135	100	80	18	2	97	150	4-19
	40	190	140	105	85	18	2	97	200	4-19
	50	216	155	120	100	18	2	106	200	8-19
	65	241	175	140	120	20	2	141	320	8-19
	80	283	200	160	135	22	2	150	320	8-23
	100	305	225	185	160	24	2	183	450	8-23
	125	381	270	225	195	26	2	230	800	8-25
	150	403	305	260	230	28	2	250	800	12-25
	200	419	350	305	275	30	2	356	940	12-25
250	457	430	380	345	34	2	453	940	12-27	

截止阀系列 Globe Valve Series



德标铸铁截止阀 DIN Cast Iron Globe Valve

截止阀系列 Globe Valve Series



主要零件及材料 Main parts and materials

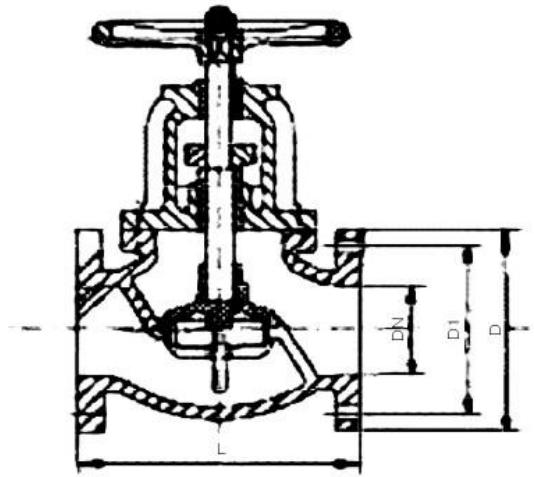
零件名称 Part name	材料 Material
阀体 Body	铸铁 GG25
阀瓣 Disc	灰铁 GG25+2Cr13, 铸钢 A05+2Cr13
阀杆 Stem	不锈钢 Stainless Steel
阀座 Seat	不锈钢 Stainless Steel, 青铜 Bronze, 黄铜 Brass

设计标准 Valve design

技术规范 Technical specification	
结构长度 Face to Face	DIN3202-F1
连接法兰 Flange Drilling	DIN2532/DIN2533
压力 Pressure	PN10/PN16

主要外形及连接尺寸 Main external and connecting dimensions(mm)

Type	DN	Measurement (mm)							
		L	D	D1	D2	b-f	Z-Φd	H	Do
J41T/W/H/F/X -16	15	130	95	65	45	14-2	4-Φ14	(113)200	80
	20	150	105	75	55	16-2	4-Φ14	(113)200	80
	25	160	115	85	65	16-2	4-Φ14	(125)220	80
	32	180	135	100	78	18-2	4-Φ18	(145)245	100
	40	200	145	110	85	18-3	4-Φ18	(180)260	130
	50	230	160	125	100	20-3	4-Φ18	(200)285	130
	65	290	180	145	120	20-3	4-Φ18	(205)300	150
	80	310	195	160	135	22-3	8-Φ18	350	240
	100	350	215	180	155	24-3	8-Φ18	365	240
	125	400	245	210	185	26-3	8-Φ18	430	300
	150	480	280	240	210	28-3	8-Φ23	450	300
	200	600	335	295	265	30-3	12-Φ23	510	360
	250	650	405	355	320	32-3	12-Φ25	620	420
	300	698	460	410	375	34-3	12-Φ25	890	600



主要零件及材料 Main parts and materials

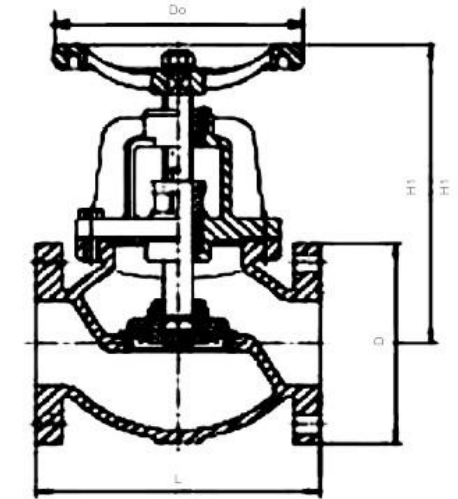
零件名称 Part name	材料 Material
阀体 Body	铸铁 Cast iron ASTM A126 CLB
阀盖 Bonnet	铸铁 Cast iron ASTM A126 CLB
阀板 Disc	铸铁+青铜/黄铜/不锈钢 Cast iron+Bronze B62/Brass B16/Stainless Steel
阀杆 Stem	黄铜/不锈钢 Brass B16/Stainless Steel
阀座 Seat	青铜/黄铜/不锈钢 Bronze B62/Brass B16/Stainless Steel

设计标准 Valve design

技术规范 Technical specification	
设计标准 Valve design	MSS SP-70
结构长度 Face to Face	ANSI B16.10
试验标准 Pressure test	API 598
连接法兰 Connecting flange	ANSI B16.1
压力 Pressure	125Lb, 250Lb

主要外形及连接尺寸 Main external and connecting dimensions(mm)

NPS	125Lb			250Lb		
	L	D	D1	L	D	D1
2"	203	152	120.7	266.7	165.1	106.43
2 1/2"	216	178	139.5	292.1	190.5	125.48
3"	240	190	152.5	317.5	209.55	144.53
4"	292	229	190.5	355.6	254	176.28
5"	330	254	216	444.5	317.5	246.13
6"	355	279	241.5	553.4	381	303.21
8"	495	343	298.5			
10"	622	406	362			



主要零件及材料 Main parts and materials

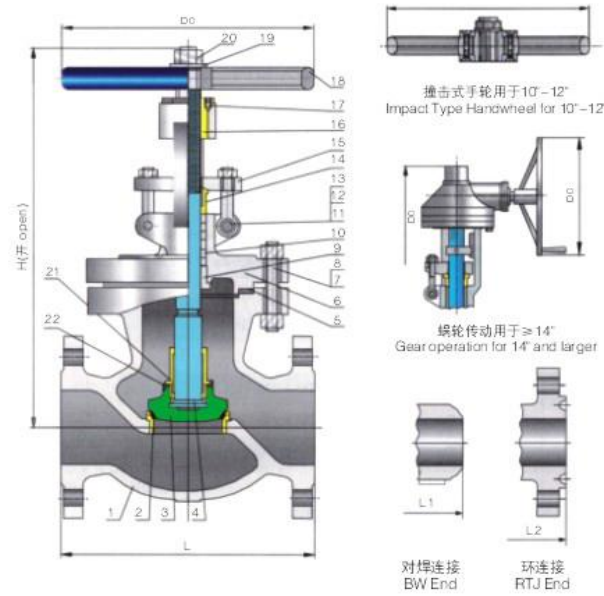
零件名称 Part name	材料 Material
阀体 Body	铸铁 Cast iron
阀盖 Bonnet	铸铁 Cast iron
阀板 Disc	铸铁+黄铜 Cast iron+Brass
阀杆 Stem	黄铜/不锈钢 Brass/Stainless Steel

设计标准 Valve design

技术规范 Technical specification	
设计标准 Valve design	KS B2350
结构长度 Face to Face	JIS B2031/KS B2306/JIS B2002
试验标准 Pressure test	KS B2304
连接法兰 Flange Drilling	JIS B2031/KS B1511/JIS B2212
压力 Pressure	10K

主要外形及连接尺寸 Main external and connecting dimensions(mm)

Size	L	D	b	Z-φd	H	D0
40	190	140	20	4-19	249	160
50	200	155	20	4-19	263	180
80	220	175	22	4-19	300	190
100	240	185	22	8-19	309	210
125	290	210	24	8-19	363	240
150	360	250	24	8-23	437	260
200	410	280	26	8-23	490	270
250	600	400	30	12-25	618	450
300	620	445	32	16-25	691	450



主要零件材质 Material List

序号 No.	部件 Parts	材质 Material
1	阀体 Body	ASTM A216 Gr.WCB
2	阀座 Seat	ASTM A105+13Cr
3	阀瓣 Disc	ASTM A105+13Cr
4	阀杆 Stem	ASTM A182 F6a
5	垫片 Gasket	不锈钢与柔性石墨缠绕垫 304S.S. Jacketed Graphite
6	阀盖 Bonnet	ASTM A216 Gr.WCB
10	填料 Packing	柔性石墨 Graphite
16	阀杆螺母 Stem nut	铜铝合金 Aluminum bronze
18	手轮 Handwheel	可锻铸铁 Malleable Iron

设计标准 Valve design

技术规范 Technical specification	
设计及制造标准 Design and manufacture	API 600、BS 1873
结构长度 Face to Face	ASME B16.10
法兰尺寸 Flanged End	ASME B16.5
对焊端尺寸 B.W. End	ASME B16.25
阀体壁厚 Shell Wall Thickness	API 600、BS 1873

注：阀体材质有ASTM A216 WCB、A352 LCB、A217WC1 WC6、WC9、C5、A351 CF8 CF8M、CF3、CF3M 本表仅以ASTM A216 WCB为例。
Note: Valve body materials are ASTM A216 WCB, A352 LCB, A217WC1 WC6, WC9, C5, A351 CF8 CF8M, CF3, CF3M This table is only ASTM A216 WCB as an example.

结构尺寸 Dimensions (Class 150)

阀门尺寸 Valve size	in. mm	1 1/2 40	2 50	2 1/2 65	3 80	4 100	5 125	6 150	8 200	10 250	12 300	14 350	16 400
L-L1 突面-对焊 (RF-BW)	in. mm	6.5 165	8 203	8.5 216	9.5 241	11.5 292	14 356	16 406	19.5 495	24.5 622	27.5 698	31 787	36 914
L2 环连接 (RTJ)	in. mm	7.0 178	8.5 216	9 229	10 254	12 305	14.5 369	16.5 419	20 508	25 635	28 711	31.5 800	36.5 927
H 开 (Open)	in. mm	14.25 326	14.69 373	15.38 390	16.56 421	20.25 515	21.19 538	22.31 567	24.63 626	28 712	39 990	51 1295	63.75 1619
Do	in. mm	7.88 200	7.88 200	9.88 250	9.88 250	11.81 300	11.81 300	13.75 350	15.75 400	17.75 450	20 500	24 610	24 610

结构尺寸 Dimensions (Class 300)

阀门尺寸 Valve Size	in. mm	1 1/2 40	2 50	2 1/2 65	3 80	4 100	5 125	6 150	8 200	10 250	12 300	14 350	16 400
L-L1 突面-对焊 (RF-BW)	in. mm	9 229	10.5 267	11.5 292	12.5 318	14 356	15.75 400	17.5 444	22 559	24.5 622	28 711	33 838	34 864
L2 环连接 (RTJ)	in. mm	9.5 242	11.12 283	12.12 308	13.12 334	14.62 372	16.37 416	18.12 460	22.62 575	25.12 638	28.62 727	33.62 854	34.62 880
H 开 (Open)	in. mm	14.17 360	15.69 398	17.13 436	18.19 462	22.06 560	24.38 620	27.31 694	38.63 982	44.5 1130	41.31 1049	61.25 1556	67 1700
Do	in. mm	7.88 200	7.88 200	9.88 250	9.88 250	13.75 350	15.75 400	17.75 450	22.06 560	34 860	24 610	24 610	24 610

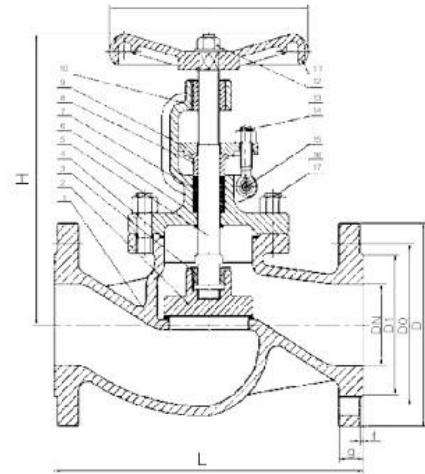
结构尺寸 Dimensions (Class 600)

阀门尺寸 Valve Size	in. mm	2 50	2 1/2 65	3 80	4 100	6 150	8 200	10 250	12 300	14 350	16 400
L-L1 突面-对焊 (RF-BW)	in. mm	11.5 292	13 330	14 356	17 432	22 559	26 660	31 787	33 838	35 889	39 991
L2 环连接 (RTJ)	in. mm	11.62 295	13.12 332	14.12 359	17.12 435	22.12 562	26.12 663	31.12 790	33.12 841	35.12 892	39.12 994
H 开 (Open)	in. mm	16.75 425	19.75 502	20.5 521	24.38 620	34.88 886	36.69 932	41 1040	50.38 1280	70.88 1800	76 1930
Do	in. mm	9.88 250	11.81 300	13.75 350	17.75 450	28.38 720	18.13 460	24 610	30 760	30 760	30 760

结构尺寸 Dimensions (Class 900/1500/2500)

MPa	阀门尺寸 Valve Size	in. mm	2 50	2 1/2 65	3 80	4 100	6 150	8 200	10 250
Class 900	L-L1 突面-对焊 (RF-BW)	in. mm	14.5 368	16.5 419	15 381	18 457	24 610	29 737	33 838
	L2 环连接 (RTJ)	in. mm	14.62 371	16.62 422	15.12 384	18.12 460	24.12 613	29.12 740	33.12 841
	H 开 (Open)	in. mm	9.44 240	10.25 260	10.25 260	12.63 320	15 382	20.88 530	27.17 690
	Do	in. mm	13.75 350	15.75 400	17.75 450	22.06 560	24 610	24 610	24 610
Class 1500	L-L1 突面-对焊 (RF-BW)	in. mm	14.5 368	16.5 419	18.5 470	21.5 546	27.75 705	32.75 832	
	L2 环连接 (RTJ)	in. mm	14.62 371	16.62 422	18.62 473	21.62 549	28 711	33.13 842	
	H 开 (Open)	in. mm	23.31 592	26 660	27.25 692	35.69 907	40 1015	45.06 1145	
	Do	in. mm	13.75 350	15.75 400	17.75 450	22.06 560	24 610	24 610	
Class 2500	L-L1 突面-对焊 (RF-BW)	in. mm	17.75 451	20 508	22.75 578	26.5 673	36 914		
	L2 环连接 (RTJ)	in. mm	17.87 454	20.25 514	23 584	26.88 683	36.5 927		
	H 开 (Open)	in. mm	27.25 692	29.5 750	31.5 800	47.25 1200	75 1905		
	Do	in. mm	15.75 400	19.69 500	24 610	30 760	30 750		

德标铸钢/不锈钢截止阀
DIN Cast Steel/Stainless Steel Globe Valves



德标截止阀适用于公称压力PN1.6~16MPa, 工作温度-29~350℃的易燃、易爆、剧毒、毒性流体、高温导热油、液氨等介质。广泛应用于: 石油化工、化纤纺织、塑料造纸、电力钢铁、印染橡胶、天然气等其它气体系统中, 性能安全可靠。产品结构合理、密封可靠, 保证阀杆的零泄漏。

DIN Globe Valves are suitable for the pressure from PN1.6~16Mpa. It can work in the medium of -29~425℃ combustible, explosive, toxic fluid, heat conducting oil and liquid ammonia. Application: petrochemical industry, Chemical Fiber Textiles, plastic, paper making, power industry, steel, rubber and gas systems. The performance is very reliable. Rational Structures, Reliable Sealing, Zero Leakage of Stem.

主要零件及材料 Main parts and materials

零件名称 Part name	材料 Material
1. 阀体 Body	GG GS-C25 SS304 SS316
2. 阀瓣 Disc	C. C+13Cr SS304 SS316
5. 阀杆 Stem	13Cr, F304, F316
6. 阀盖 Bonnet	GG GS-C25 SS304 SS316
7. 填料 Packing	Flexible Graphite
8. 压盖 Gland	13Cr, SS304, SS316

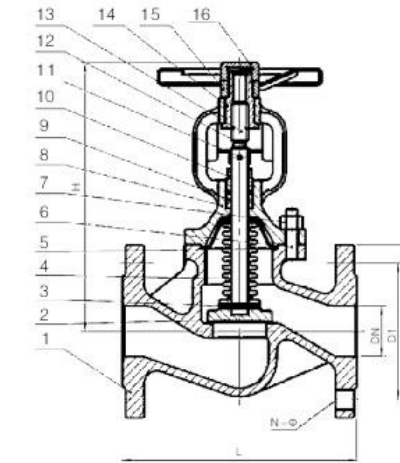
设计标准 Valve design

技术规范 Technical specification	
设计标准 Valve design	DIN EN13709-2003
结构长度 Face to Face	DIN EN588-1:1995
连接法兰 Flange Drilling	DIN EN1092-1:2002
试验标准 Pressure test	DIN EN12266:2003

主要外形及连接尺寸 Main external and connecting dimensions(mm)

公称通径 Nominal diameter DN	PN16					PN25					PN40				
	L	D	D1	N-Φ	H	L	D	D1	N-Φ	H	L	D	D1	N-Φ	H
15	130	95	65	4×14	190	130	95	65	4×14	190	130	95	65	4×14	190
20	150	105	75	4×14	190	150	105	75	4×14	190	150	105	75	4×14	190
25	160	115	85	4×14	195	160	115	85	4×14	195	160	115	85	4×14	195
32	180	140	100	4×18	210	180	140	100	4×18	210	180	140	100	4×18	210
40	200	150	110	4×18	220	200	150	110	4×18	220	200	150	110	4×18	220
50	230	165	125	4×18	230	230	165	125	4×18	230	230	165	125	4×18	230
65	290	185	145	8×18	255	290	185	145	8×18	255	290	185	145	8×18	255
80	310	200	160	8×18	270	310	200	160	8×18	270	310	200	160	8×18	270
100	350	220	180	8×18	360	350	235	190	8×22	360	350	235	190	8×22	360
125	400	250	210	8×18	380	400	270	220	8×26	380	400	270	220	8×26	380
150	480	285	240	8×22	415	480	300	250	8×26	415	480	300	250	8×26	415
200	600	340	295	12×22	530	600	360	310	12×26	530	600	375	320	12×30	530
250	730	405	355	12×26	665	730	425	370	12×30	665	730	450	385	12×33	665
300	850	460	410	12×26	720	850	485	430	16×30	720	850	515	450	16×33	720
350	980	520	470	16×26	1020	980	555	490	16×33	1020	980	580	510	16×36	1020
400	1100	580	525	16×26	1180	1100	670	550	16×36	1180	1100	660	585	16×39	1180

德标波纹管截止阀
DIN Cast Steel Bellows Globe Valves



波纹管截止阀是一种比较新型的截止阀, 双重密封, 性能可靠。密封面堆焊硬质合金, 阀杆表面氮化处理, 耐磨, 防腐, 抗摩擦性能良好, 使用寿命长。用途: 广泛应用于石油, 化工, 制药, 化肥, 电力行业等各种工况的管路上, 切断或接通管路介质。

Bellows Seal Globe Valve is a new kind of globe valves with dual-seal. So its sealing capacity is very good. The sealing surface is bead welding with hard alloy and the stem surface is in "nitrogen treatment". Hence it is the valve of attrition-resistant, good anti-corrosion performance and long service life. Application: Petrochemical, Power Plant, Steel Mill, Plastic and Paper industries

主要零件及材料 Main parts and materials

零件名称 Part name	材料 Material
1. 阀体 Body	GG GS-C25 SS304 SS316
2. 阀瓣 Disc	C.C+13Cr SS304 SS316
4. 波纹管 Bellows	SS304 SS316
6. 阀盖 Bonnet	GG GS-C25 SS304 SS316
7. 填料 Packing	Graphite, PTFE
10. 压盖 Gland	13Cr, 304, 316

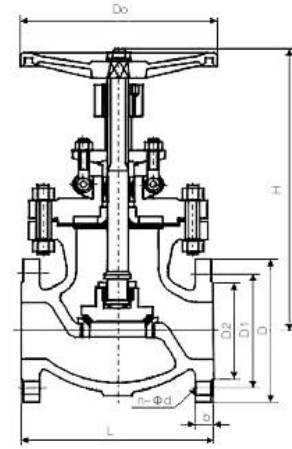
设计标准 Valve design

技术规范 Technical specification	
设计标准 Valve design	DIN EN13709-2003
结构长度 Face to Face	DIN EN588-1:1995
连接法兰 Flange Drilling	DIN EN1092-1:2002
试验标准 Pressure test	DIN EN12266:2003

主要外形及连接尺寸 Main external and connecting dimensions(mm)

公称通径 Nominal diameter DN	PN16					PN25					PN40				
	L	D	D1	N-Φ	H	L	D	D1	N-Φ	H	L	D	D1	N-Φ	H
15	130	95	65	4×14	190	130	95	65	4×14	190	130	95	65	4×14	190
20	150	105	75	4×14	190	150	105	75	4×14	190	150	105	75	4×14	190
25	160	115	85	4×14	195	160	115	85	4×14	195	160	115	85	4×14	195
32	180	140	100	4×18	210	180	140	100	4×18	210	180	140	100	4×18	210
40	200	150	110	4×18	220	200	150	110	4×18	220	200	150	110	4×18	220
50	230	165	125	4×18	230	230	165	125	4×18	230	230	165	125	4×18	230
65	290	185	145	8×18	255	290	185	145	8×18	255	290	185	145	8×18	255
80	310	200	160	8×18	270	310	200	160	8×18	270	310	200	160	8×18	270
100	350	220	180	8×18	360	350	235	190	8×22	360	350	235	190	8×22	360
125	400	250	210	8×18	380	400	270	220	8×26	380	400	270	220	8×26	380
150	480	285	240	8×22	415	480	300	250	8×26	415	480	300	250	8×26	415
200	600	340	295	12×22	530	600	360	310	12×26	530	600	375	320	12×30	530
250	730	405	355	12×26	665	730	425	370	12×30	665	730	450	385	12×33	665
300	850	460	410	12×26	720	850	485	430	16×30	720	850	515	450	16×33	720
350	980	520	470	16×26	1020	980	555	490	16×33	1020	980	580	510	16×36	1020
400	1100	580	525	16×26	1180	1100	670	550	16×36	1180	1100	660	585	16×39	1180

截止阀系列
Globe Valve Series



主要零件及材料 Main parts and materials

零件名称 Part name	材料 Material
阀体 Body	JIS-SCS13
阀板 Disc	JIS-SCS13
阀杆 Stem	JIS-SUS304
阀盖 Bonnet	JIS-SCS13
手轮 Handwheel	球墨铸铁 QT400-15
填料 Packing	聚四氟乙烯 PTFE/柔性石墨 Flexible graphite
螺栓 Bolt	A193-B8

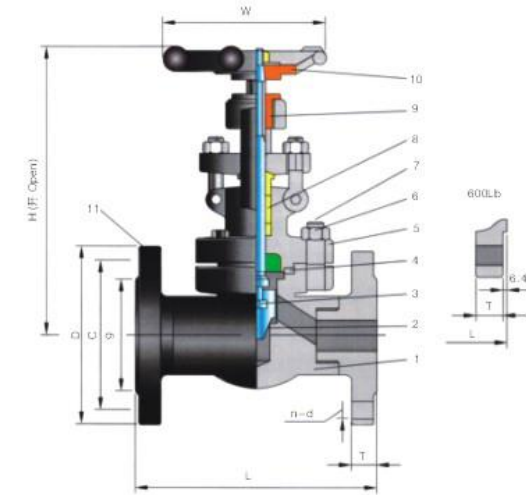
设计标准 Valve design

技术规范 Technical specification	
设计标准 Valve design	JIS B2071
结构长度 Face to Face	JIS B2002
连接法兰 Flange Drilling	JIS B2212 B2214
试验标准 Pressure test	JIS B2003

注：阀体材质有 WCB, SCS13, SCS13A, SCS14, SCS14A, SCS19, SCS19A, SCS16, SCS16A, 本表仅以 SCS13 举例
Note: Body material WCB, SCS13, SCS13A, SCS14, SCS14A, SCS19, SCS19A, SCS16, SCS16A, this only USES the example of SCS13

主要外形及连接尺寸 Main external and connecting dimensions(mm)

Pressure	Size	L	D	D1	D2	b	H	D0	n-Φd
10K	15	108	92	70	52	12	165	100	4-15
	20	117	100	75	58	14	171	100	4-15
	25	127	125	90	70	14	185	100	4-19
	40	165	140	105	85	16	214	138	4-19
	50	203	155	120	100	16	235	160	4-19
	65	216	175	140	120	18	336	200	4-19
	80	241	185	150	130	18	357	224	8-19
	100	292	210	175	155	18	421	280	8-19
20K	125	356	250	210	185	20	491	300	8-23
	150	406	280	240	215	22	556	350	8-23
	200	495	330	290	265	22	674	450	12-23
	15	152	95	70	52	14	175.5	100	4-15
	20	178	100	75	58	16	176.5	100	4-15
	25	203	125	90	70	16	203	100	4-19
	40	229	140	105	85	18	238	138	4-19
	50	267	155	120	100	18	249	160	8-19
	65	292	175	140	120	20	465	200	8-19
	80	318	200	160	135	22	365	224	8-23
	100	356	225	185	160	24	421	280	8-23
	125	400	270	225	195	26	690	300	8-15
150	444	305	260	230	28	606	350	12-25	
200	559	350	305	275	30	697	450	12-25	



主要零件材质 Material Specifications

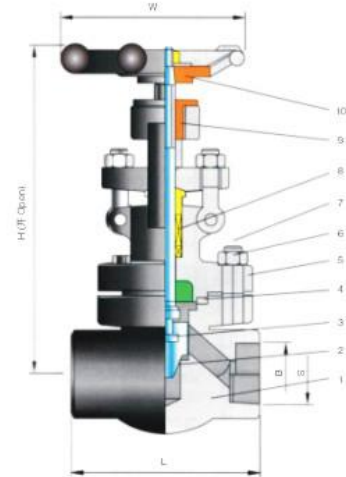
序号 No.	部件 Parts	材料 Material
1	阀体 Body	A105
2	阀瓣 Disc	13Cr
3	阀杆 Stem	A182-F6a
5	阀盖 Bonnet	A105
7	螺栓 Bolt	A193-B7
8	填料 Packing	柔性石墨 Graphite

设计标准 Valve design

技术规范 Technical specification	
设计标准 Valve design	BS 5352
结构特征 Construction Feature	B.B OS & Y or WB OS & Y
结构长度 Face to Face	ANSI B16.10
法兰尺寸 Flanged connection	ANSI B 16.5
测试标准 Test inspection	API 598
主体材料 Body material	A105, F304, F316, F304L, F316L, F5, F11 F22...

结构尺寸 Dimensions(Class 900/1500/2500)

公称口径 inch	mm	压力等级 Class	L	D	C	g	T	n-d	H (Open)		W	
									缩径	全径	缩径	全径
1/2"	15	150	108	90	60.5	35	11.5	4-16	158	163	100	100
		300	140	95	66.5		14.5	4-16				
		600	165	95	66.5		14.5	4-16				
3/4"	20	150	117	100	70	43	13	4-16	163	193	100	125
		300	152	115	82.5		16	4-19				
		600	190	115	82.5		16	4-19				
1"	25	150	127	110	79.5	51	14.5	4-16	193	250	125	160
		300	165	125	89		18	4-19				
		600	216	125	89		18	4-19				
1 1/4"	32	150	140	115	89	63	16	4-16	250	250	160	160
		300	178	135	98.5		19.5	4-19				
		600	229	135	98.5		21	4-19				
1 1/2"	40	150	165	125	98.5	73	18	4-16	250	291	160	180
		300	190	155	114.5		21	4-22.5				
		600	241	155	114.5		22.5	4-22.5				
2"	50	150	178	150	120.5	92	19.5	4-19	291	312	180	200
		300	216	165	127		22.5	8-19				
		600	292	165	127		26	8-19				



主要零件材质 Material Specifications

序号 No.	部件 Parts	材料 Material
1	阀体 Body	A105
2	阀瓣 Disc	13Cr
3	阀杆 Stem	A182-F6a
5	阀盖 Bonnet	A105
7	螺栓 Bolt	A193-B7
9	阀杆螺母 Stem nut	13Cr

设计标准 Valve design

技术规范 Technical specification	
设计标准 Valve design	BS 5352
结构特征 Construction Feature	B.B OS & Y or WB OS & Y
螺纹连接尺寸 FNPT connection	ANSI B1.20.1
承插焊接尺寸 Socket weld connection	ANSI B16.11
测试标准 Test inspection	API 598
主体材料 Body material	A105, F304, F316, F304L, F316L, F5, F11, F22...

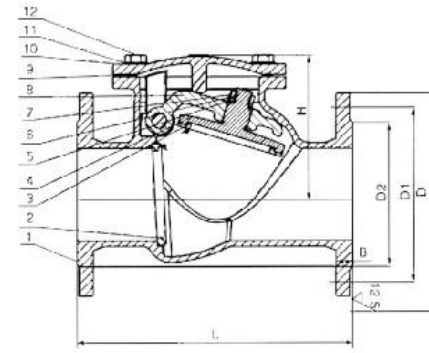
结构尺寸 Dimensions(Class 800)

公称通径				L	B				S				H(开) H(Open)	W	
inch		mm			ANSI		JIS		ANSI NPT牙形60°		ISO、BS、JIS 牙形55°				
缩径	全径	缩径	全径		缩径	全径	缩径	全径	缩径	全径	缩径	全径			
1/2"		15		80	21.8		22.2		1/2"		1/2"		158	100	
3/4"	1/2"	20	15	92	27.1	21.8	27.7	22.2	3/4"	1/2"	3/4"	1/2"	192	100	
1"	3/4"	25	20	111	33.8	27.1	34.5	27.7	1"	3/4"	1"	3/4"	252	125	
1 1/4"	1"	32	25	120	42.6	33.8	43.2	34.5	1 1/4"	1"	1 1/4"	1"	252	160	
1 1/2"	1 1/4"	40	32	152	48.7	42.6	49.1	43.2	1 1/2"	1 1/4"	1 1/2"	1 1/4"	289	160	
2"	1 1/2"	50	40	172	61.1	48.7	61.1	49.1	2"	1 1/2"	2"	1 1/2"	330	180	
	2"	50		200		61.1		61.1		2"		2"		370	240

止回阀系列
Check Valve Series



德标铸铁旋启式止回阀
DIN Cast Iron Swing Check Valve



主要零件材质 Material Specifications

序号 No.	部件 Parts	材料 Material
1	阀体 Body	球墨铸铁 DI、灰铸铁 CI
2	阀座 Seat	黄铜/橡胶 Bress(Hpb59-1)/NBR
3	密封圈 Seal ring	黄铜/橡胶 Bress(Hpb59-1)/NBR
4	阀瓣 Disc	球墨铸铁 DI、灰铸铁 CI
8	摇杆 Rocker arm	球墨铸铁 DI
10	阀盖 Bonnet	球墨铸铁 DI、灰铸铁 CI

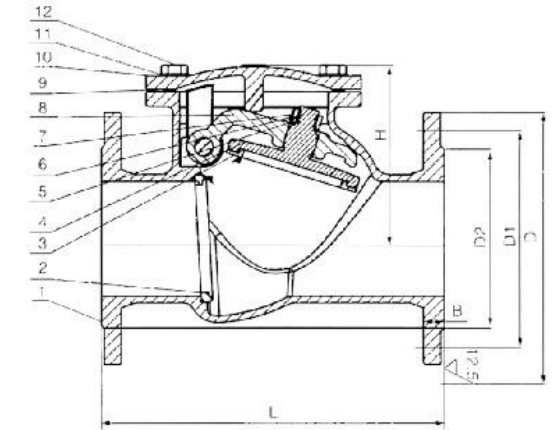
设计标准 Valve design

技术规范 Technical specification	
结构长度 Face to Face	DIN3202-F6
连接法兰 Flange Drilling	DIN2531、2532、2533
压力 Pressure	PN10/PN16

主要外形及连接尺寸 Main external and connecting dimensions(mm)

DN	L	D		D1		D2		B	N-Φd		H
		PN10	PN16	PN10	PN16	PN10	PN16		PN10	PN16	
40	180	150	150	110	110	88	88	17	4-Φ19	4-Φ19	103
50	200	165	165	125	125	102	102	17	4-Φ19	4-Φ19	116
65	240	185	185	145	145	122	122	17	4-Φ19	4-Φ19	116
80	260	200	200	160	160	138	138	18	4-Φ19	8-Φ19	145
100	300	220	220	180	180	158	158	18	8-Φ19	8-Φ19	145
125	350	250	250	210	210	188	188	20	8-Φ19	8-Φ19	175
150	400	285	285	240	240	212	212	22	8-Φ23	8-Φ23	204
200	500	340	340	295	295	268	268	23	8-Φ23	12-Φ23	248
250	600	405	405	355	355	320	320	24	12-Φ23	12-Φ28	292
300	700	460	460	410	410	378	378	26	12-Φ23	12-Φ28	325

美标铸铁旋启式止回阀
ANSI Cast Iron Swing Check Valve



止回阀系列
Check Valve Series

主要零件材质 Material Specifications

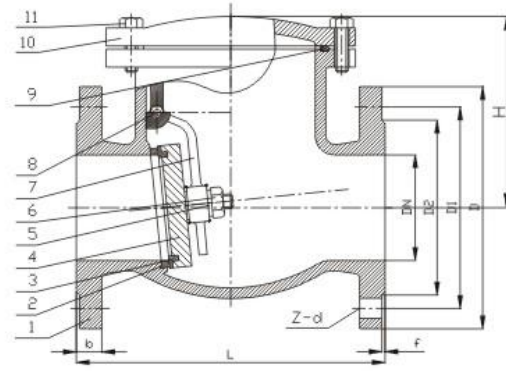
序号 No.	部件 Parts	材料 Material
1	阀体 Body	球墨铸铁 DI、灰铸铁 CI
2	阀座 Seat	黄铜/橡胶 Bress(Hpb59-1)/NBR
3	密封圈 Seal ring	黄铜/橡胶 Bress(Hpb59-1)/NBR
4	阀瓣 Disc	球墨铸铁 DI、灰铸铁 CI
8	摇杆 Rocker arm	球墨铸铁 DI
10	阀盖 Bonnet	球墨铸铁 DI、灰铸铁 CI

设计标准 Valve design

技术规范 Technical specification	
设计标准 Valve Design	MSS SP-71
结构长度 Face to Face	SI B16.10
连接法兰 Flange Drilling	ANSI B16.1
压力 Pressure	125Lb, 150Lb

主要外形及连接尺寸 Main external and connecting dimensions(mm)

DN	L	D		D1		B	n-Φd		H
		CL125/CL150	CL125/CL150	CL125/CL150	CL125/CL150				
50	203	152	152	120.5	120.5	17	4-Φ19	4-Φ19	116
65	216	178	178	139.5	139.5	17	4-Φ19	4-Φ19	116
80	241	191	191	152.5	152.5	19	4-Φ19	4-Φ19	145
100	292	229	229	190.5	190.5	24	8-Φ19	8-Φ19	145
125	330	254	254	216	216	24	8-Φ23	8-Φ23	175
150	356	279	279	241.5	241.5	25	8-Φ23	8-Φ23	204
200	495	343	343	298.5	298.5	28	8-Φ23	8-Φ23	248
250	622	406	406	362	362	30	12-Φ26	12-Φ26	292
300	698	483	483	432	432	32	12-Φ26	12-Φ26	325



主要零件材质 Material Specifications

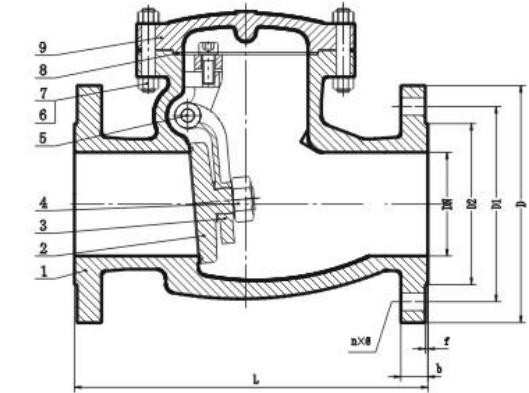
序号 No.	部件 Parts	材料 Material
1	Body	Ductile iron
2	Body seat ring	Brass
3	Disc seat ring	Brass
4	Disc	Ductile iron
5	Washer	Stainless steel
6	Locking nut	Stainless steel
7	Arm	Ductile iron
8	Hing pin	Stainless steel
9	O ring	NBR
10	Bonnet	Ductile iron
11	Bolt	Stainless steel

设计标准 Valve design

技术规范 Technical specification	
设计标准 Valve Design	BS5153
结构长度 Face to Face	EN558-1
连接法兰 Flange Drilling	BS4504, EN1092-2
压力 Pressure	PN10/PN16

主要外形及连接尺寸 Main external and connecting dimensions(mm)

Size	DN	D	D1	D2	L	b	f	Z-d	H
2	50	165	125	100	203	19	3	4-Φ19	116
2 1/2	65	185	145	120	216	19	3	4-Φ19	116
3	80	200	160	135	241	19	3	8-Φ19	145
4	100	220	180	156	292	19	3	8-Φ19	145
5	125	250	210	186	330	19	3	8-Φ19	175
6	150	285	240	212	356	19	3	8-Φ23	204
8	200	340	295	268	495	20	3	12-Φ23	248
10	250	405	355	318	622	22	3	12-Φ28	292
12	300	460	410	373	699	24.5	4	12-Φ28	325
14	350	520	470	429	800	36	4	16-Φ28	361
16	400	580	525	480	900	38	4	16-Φ31	388
18	450	640	585	548	1000	40	4	20-Φ31	450
20	500	715	650	609	1100	42	4	20-Φ34	518
24	600	840	770	720	1300	48	5	20-Φ37	620



主要零件材质 Material Specifications

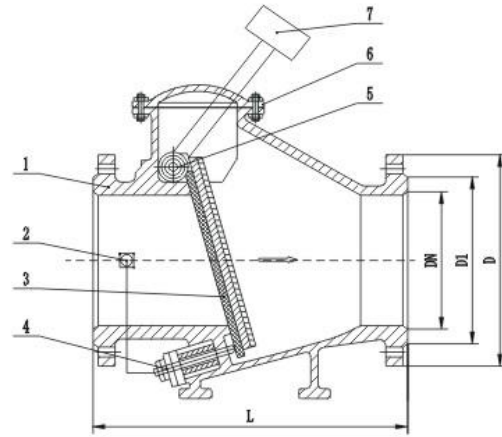
序号 No.	部件 Parts	材料 Material
1	阀体 Body	A216-WCB+13Cr
2	阀瓣 Disc	A216-WCB+13Cr
3	铰链 Hinge	A216-WCB
4	螺母 Nut	201
5	销钉 Eyebolt pin	F6a
6	螺母 Nut	A193-2H
7	螺栓 Bolt	A193-B7
8	垫片 Gasket	201+graphite
9	阀盖 Bonnet	A216-WCB

设计标准 Valve design

技术规范 Technical specification	
设计标准 Valve Design	BS5153, EN13709
结构长度 Face to Face	EN558
连接法兰 Flange Drilling	BS4504/EN1092

主要外形及连接尺寸 Main external and connecting dimensions(mm)

DN	L	D	D1	D2	T	f	n-Φ	H
50	230	165	125	100	20	3	4-18	132
65	290	185	145	120	22	3	8-18	147
80	310	200	160	135	22	3	8-18	175
100	350	235	190	160	24	3	8-12	200
125	400	270	220	188	28	3	8-23	260
150	480	300	250	218	30	3	8-25	320
200	550	360	310	278	34	3	12-25	380
250	650	425	370	332	36	3	12-30	440
300	750	485	430	390	40	3	16-30	480
350	850	555	490	448	44	4	16-34	530
400	950	620	550	505	48	4	16-34	580
450	1050	660	600	555	50	4	20-36	620
500	1150	730	660	610	52	4	20-41	660
600	1350	845	770	718	56	5	20-39	760
700	1450	960	875	815	60	5	24-42	920
800	1540	1085	990	930	64	5	24-48	990
900	1650	1185	1090	1025	66	5	28-48	1020
1000	1650	1320	1210	1140	68	5	28-56	1150
1200	1650	1530	1420	1350	72	5	32-56	1350



主要零件材质 Material Specifications

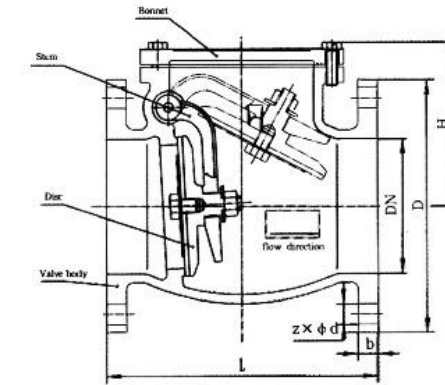
序号 No.	部件 Parts	材料 Material
1	阀体 Body	QT450
2	针阀 Pin valve	SS304
3	阀瓣 Disc	QT450+EPDM
4	液压缸 Hydraulic cylinder	Component parts
5	阀轴 Stem	2Cr13
6	阀盖 Bonnet	QT450
7	平衡锤 Balance weight	20#

设计标准 Valve design

技术规范 Technical specification	
设计标准 Valve Design	BS5153, EN13709
结构长度 Face to Face	EN558
连接法兰 Flange Drilling	BS4504/EN1092

主要外形及连接尺寸 Main external and connecting dimensions(mm)

DN	L	D		D1		n-Φd	
		PN1.6	PN2.5	PN1.6	PN2.5	PN1.6	PN2.5
50	230	160	160	125	125	4-18	4-18
65	290	180	180	145	145	4-18	8-18
80	310	195	195	160	160	8-18	8-18
100	350	215	230	180	190	8-18	8-23
125	400	245	270	210	220	8-18	8-25
150	480	280	300	240	250	8-23	8-25
200	500	335	360	295	310	12-23	12-25
250	600	405	425	355	370	12-25	12-30
300	700	460	485	410	430	12-25	12-30
350	800	520	550	470	490	16-25	16-30
400	900	580	610	525	550	16-30	16-34
500	1100	705	730	650	660	20-30	16-34
600	1300	840	840	770	770	20-34	16-41



主要零件材质 Material Specifications

部件 Parts	材料 Material
阀体 Body	铸铁 Cast iron
阀瓣 Disc	铸铁+黄铜 Cast iron+Brass/bronze
阀盖 Bonnet	铸铁 Cast iron
阀杆 Stem	不锈钢 Stainless steel、铜杆

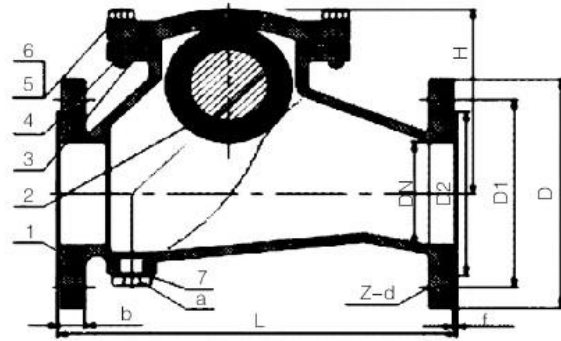
设计标准 Valve design

技术规范 Technical specification	
结构长度 Face to Face	JIS B2002
连接法兰 Flange Drilling	JIS B2212
压力 Pressure	10K

主要外形及连接尺寸 Main external and connecting dimensions(mm)

DN	L	D	b	Z x Φd	H
40	190	140	17	4 x Φ19	101
50	190	155	17	4 x Φ19	102
65	190	175	18	4 x Φ19	113
80	215	185	19	8 x Φ19	118
100	245	210	20	8 x Φ19	133
125	285	250	21	8 x Φ23	155
150	295	280	22	8 x Φ23	182
200	390	330	22	12 x Φ23	206
250	500	400	25	12 x Φ25	269
300	540	445	28	16 x Φ25	333
350	570	490	34	16 x Φ25	381
400	785	560	36	16 x Φ27	450
500	820	675	40	20 x Φ27	537

*The above specifications to be varied to suit your specific requirements.

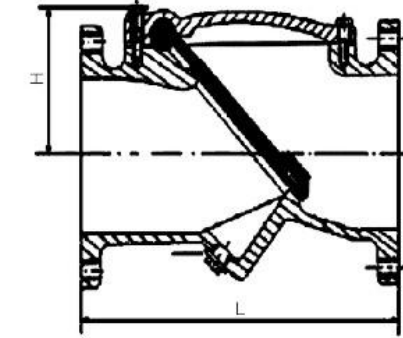


主要零件材质 Material Specifications

序号 No.	部件 Parts	材料 Material
1	阀体 Body	球墨铸铁 DI
2	浮球 Ball Float	铝包橡胶 EPDM/Aluminium
3	垫片 Gasket	橡胶 NBR
4	阀盖 Bonnet	球墨铸铁 DI
5	螺栓 Bolt	碳钢、不锈钢 Carbon steel/A2
6	垫圈 Washer	碳钢、不锈钢 Carbon steel/A2
7	垫圈 Washer	四氟 TEL
8	堵头 Plug	碳钢、不锈钢 Carbon steel/A2

主要外形及连接尺寸 Main external and connecting dimensions(mm)

DN	D	D1	D2	L	B	H	F	Z × Φd
40	150	110	84	180	19	106	3	4-19
50	165	125	99	200	19	115	3	4-19
65	185	145	118	240	19	124	3	4-19
80	200	160	132	260	19	138	3	8-19
100	220	180	156	300	19	162	3	8-19
125	250	210	184	350	19	202	3	8-19
150	285	240	211	400	19	228	3	8-23
200	340	295	266	500	20	298	3	12-23
250	405	355	319	600	22	368	4	12-28
300	455	410	370	700	24.5	438	4	12-28



主要零件材质 Material Specifications

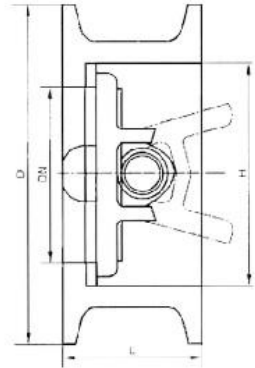
部件 Parts	材料 Material
阀体 Body	灰铸铁 CI 球墨铸铁 DI
阀瓣 Disc	灰铸铁 CI/球墨铸铁 DI+橡胶 EPDM/NBR
阀盖 Bonnet	灰铸铁 CI 球墨铸铁 DI
阀杆 Stem	不锈钢 Stainless steel、铜杆

设计标准 Valve design

技术规范 Technical specification	
结构长度 Face to Face	BS5153/MSS SP-71
连接法兰 Flange Drilling	BS4504/ANSI B16.1/B16.5
压力 Pressure	PN 10/PN16 125Lb/150Lb

主要外形及连接尺寸 Main external and connecting dimensions(mm)

Size	50	65	80	100	125	150	200	250	300	350	400	450	500	600
L	203	216	241	292	330	356	496	622	699	787	912	965	1067	1210
H	86	90	98	117	130	149	194	251	310	360	420	480	520	570
PN16-BS5153														
OD	165	185	200	220	250	285	340	405	480	520	580	640	715	840
PCD	125	145	160	180	210	240	296	355	410	470	525	585	650	770
N-Φd	4-18	4-18	8-18	8-18	8-18	8-22	12-22	12-20	12-20	16-20	16-30	20-30	20-34	20-36
ANSI Class 125/Class 150														
OD	152	178	191	229	254	279	343	406	483	533	597	635	699	813
PCD	121	139	152	191	216	241	198	362	432	476	540	578	635	749
N-Φd	4-19	4-19	4-19	8-19	8-22	8-22	8-22	12-25	12-25	12-25	16-29	16-32	20-32	20-35



主要零件材质 Material Specifications

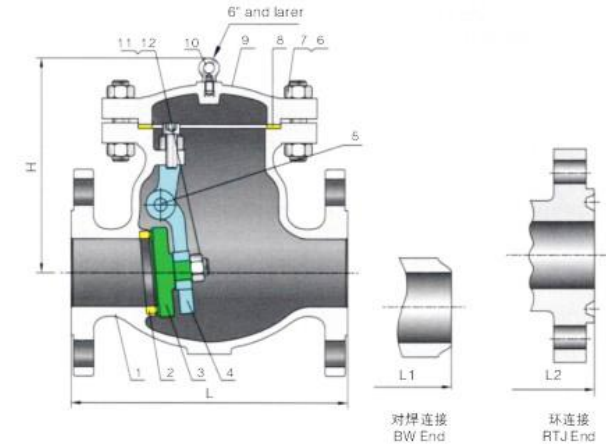
部件 Parts	材料 Material
阀体 Body	灰铸铁CI、球墨铸铁DI
阀瓣 Disc	灰铸铁CI、球墨铸铁DI、304、316、铜bronze
阀座 Seat	橡胶 EPDM/NBR
阀杆 Stem	不锈钢 Stainless steel
弹簧 Spring	不锈钢 Stainless steel

设计标准 Valve design

技术规范 Technical specification	
结构长度 Face to Face	ISO
连接法兰 Flange Drilling	DIN/BS/JIS/ANSI
压力 Pressure	PN10/PN16/10K/150LB

主要外形及连接尺寸 Main external and connecting dimensions(mm)

DN	1.0MPa			1.6MPa			2.5MPa		
	L	D	H	L	D	H	L	D	H
40	43	92	55	43	92	55	43	92	55
50	43	107	65.5	43	107	65.5	43	107	65.5
65	46	127	81	46	127	81	46	127	81
80	64	142	95	64	142	95	64	142	95
100	64	162	117.5	64	162	117.5	64	166	117.5
125	70	192	145.5	70	192	145.5	70	192	145.5
150	76	218	170.5	76	218	170.5	76	222	170.5
200	89	273	227.5	89	273	227.5	89	282	227.5
250	114	328	266	114	329	266	114	337	266
300	114	378	312	114	384	312	114	397	312
350	127	438	361	127	444	361	127	454	361
400	140	489	406	140	495	406	140	511	406
450	152	539	450	152	555	450	152	560	450
500	152	594	505	152	617	505	152	620	505
600	178	695	624	178	734	624	178	727	624
700	229	804	736	229	804	736	229	829	736
800	241	910	842	241	910	842	241	938	842
900	241	1010	945	241	1010	945	241	1038	945
1000	300	1125	1050	300	1125	1050	300	1150	1050



主要零件材质 Material Specifications

序号 No.	部件 Parts	材料 Material
1	阀体 Body	ASTM A216 Gr.WCB
2	阀座 Seat ring	ASTM A105+13Cr
3	阀瓣 Disc	ASTM A216 Gr.WCB+13Cr
4	摇臂 Hinge	ASTM A216 Gr.WCB
5	销轴 Hinge pin	ASTM A276 410
6	螺栓 Cover bolt	ASTM A193 Gr.B7
7	螺母 Cover nut	ASTM A194 Gr-2H
8	垫片 Gasket	不锈钢与柔性石墨缠绕 304S.S. Jacketed Graphite
9	阀盖 Bonnet	ASTM A216 Gr.WCB

设计标准 Valve design

技术规范 Technical specification	
设计标准 Valve Design	API 600, BS 1868
结构长度 Face to Face	ASME B16.10
法兰尺寸 Flanged connection	≤24' 按 ASME B16.5 ≥26' 按 ASME B16.47系列A 24' and smaller valves: ASME B16.5 26' and larger valves: ASME B16.47 series A and B
对焊端尺寸 B.W. End	ASME B16.25
阀体壁厚 Shell Wall Thickness	≤24' 按 ASME API 600、BS868 ≥26' 按制作商标准 ≤24' API 600, BS868 ≥26' manufacturer's standard

注：阀体材质有ASTM A216 WCB、A352 LCB、A217 WC1 WC6、WC9、C5、A351 CF8 CF8M、CF3、CF3M 本表仅以ASTM A216 WCB为例。
Note: Body materials are ASTM A216 WCB, A352 LCB, A217 WC1 WC6, WC9, C5, A351 CF8 CF8M, CF3, CF3M This table is only ASTM A216 WCB as an example.

结构尺寸 Dimensions(Class 150)

阀门尺寸 Valve Size	in.	mm	1 1/2 40	2 50	2 1/2 65	3 80	4 100	5 125	6 150	8 200	10 250	12 300	14 350	16 400	18 450	20 500	24 600	30 750	36 900
L-L1 突面-对焊 (RF-BW)	in.	mm	6.5 165	8 203	8.5 216	9.5 241	11.5 292	13 330	14 356	19.5 495	24.5 622	27.5 698	31 787	34 864	38.5 978	38.5 978	51 1295	60 1524	77 1956
L2 环连接 (RTJ)	in.	mm	7.0 178	8.5 216	9 229	10 254	12 305	13.5 343	14.5 369	20 508	25 635	28 711	31.5 800	34.5 877	39 991	39 991	51.5 1308	60.5 1537	77.5 1969
H 开 (Open)	in.	mm	6.69 170	6.88 175	7 178	7.5 191	8.63 219	9.25 235	12.75 324	15.13 384	17.63 448	21.25 540	22 559	24.63 626	25.63 651	26.63 676	34.63 880	45.25 1149	53.13 1349

结构尺寸 Dimensions(Class 300)

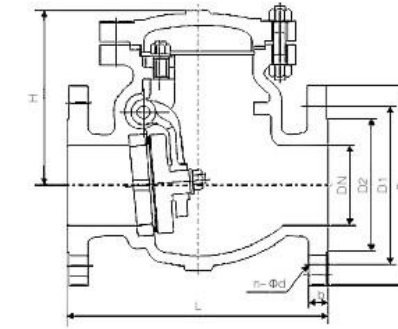
阀门尺寸 Valve Size	in. mm	1 1/2 40	2 50	2 1/2 65	3 80	4 100	5 125	6 150	8 200	10 250	12 300	14 350	16 400	18 450	20 500	24 600	30 750	36 900
L-L1 突面-对焊 (RF-BW)	in. mm	9.5 241	10.5 267	11.5 292	12.5 318	14 356	15.75 400	17.5 444	21 533	24.5 622	28 711	33 838	34 864	38.5 978	40 1016	53 1346	62.75 1594	82 2083
L2 环连接 (RTJ)	in. mm	10 254	11.12 283	12.12 308	13.15 334	14.62 372	16.37 416	18.12 460	21.62 549	25.12 638	28.62 727	33.62 854	34.62 880	39.12 994	40.75 1035	53.88 1368	63.75 1619	83.11 2111
H 开 (Open)	in. mm	7.4 188	7.75 197	8 203	8.75 222	10.88 276	11.63 295	13.25 337	16.25 413	18.25 464	22.13 562	23.5 597	25.38 645	29.88 759	33.63 854	37 940	50 1270	60.63 1540

结构尺寸 Dimensions(Class 600)

阀门尺寸 Valve Size	in. mm	2 50	2 1/2 65	3 80	4 100	6 150	8 200	10 250	12 300	14 350	16 400	18 450	20 500	24 600	26 650	28 700	30 750
L-L1 突面-对焊 (RF-BW)	in. mm	11.5 292	13 330	14 356	17 432	22 559	26 660	31 787	33 838	35 889	39 991	43 1092	47 1194	55 1397	57 1448	63 1600	65 1651
L2 环连接 (RTJ)	in. mm	11.62 295	13.12 333	14.12 359	17.12 435	22.12 562	26.12 663	31.12 790	33.12 841	35.12 892	39.12 994	43.12 1095	47.25 1200	55.38 1407	57.5 1461	63.5 1613	65.5 1664
H 开 (Open)	in. mm	8.25 210	8.63 219	10.5 267	11.75 299	15 381	18.75 476	21.63 549	22.63 575	26.38 670	30.13 765	35.25 895	38.38 975	43.75 1111	48 1219	53.13 1349	56.25 1429

结构尺寸 Dimensions(Class 900/1500/2500)

MPa	阀门尺寸 Valve Size	in. mm	2 50	2 1/2 65	3 80	4 100	6 150	8 200	10 250	12 300
Class 900	L-L1突面-对焊 (RF-BW)	in. mm	14.5 368	16.5 419	15 381	18 457	24 610	29 737	33 838	38 965
	L2(环连接) (RTJ)	in. mm	14.62 371	16.62 422	15.12 384	18.12 460	24.12 613	29.12 740	33.12 841	38.12 968
	H 开 (Open)	in. mm	12.63 321	13.75 349	12.63 321	16 406	18.88 479	22.25 565	26.13 664	30.5 775
Class 1500	L-L1突面-对焊 (RF-BW)	in. mm	14.5 368	16.5 419	18.5 470	21.5 546	27.75 705	32.75 832	39 991	44.5 1130
	L2(环连接) (RTJ)	in. mm	14.62 371	16.62 422	18.62 473	21.62 549	28 711	33.15 842	39.4 1001	45.12 1146
	H 开 (Open)	in. mm	12.63 321	13.75 349	14.38 365	16.5 419	20.13 511	26.75 680	29.75 756	33.75 857
Class 2500	L-L1突面-对焊 (RF-BW)	in. mm	17.75 451	20 508	22.75 578	26.5 673	36 914	40.25 1022	50 1270	56 1422
	L2(环连接) (RTJ)	in. mm	17.87 454	20.25 514	23 584	26.88 683	36.5 927	40.87 1038	50.88 1292	56.88 1444
	H 开 (Open)	in. mm	16.38 416	16.5 419	17.38 441	18.88 479	20.13 511	28 711	33.5 851	39.38 1000



主要零件及材料 Main parts and materials

零件名称 Part name	材料 Material
阀体 Body	JIS-SCS13
阀瓣 Disc	JIS-SCS13
阀杆 Stem	JIS-SUS304
阀盖 Bonnet	JIS-SCS13
支架 Yoke	JIS-SCS13
螺栓 Bolt	A193-B8

设计标准 Valve design

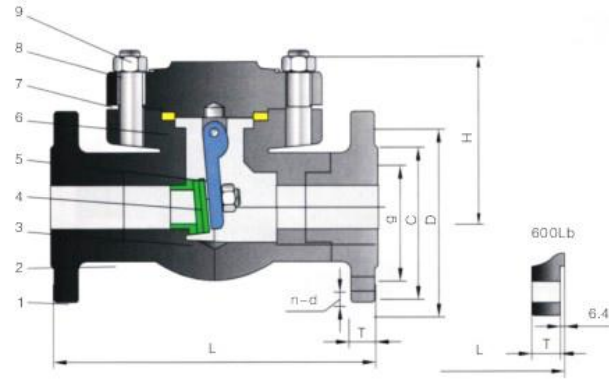
技术规范 Technical specification	
设计标准 Valve design	JIS B2074 B2084
结构长度 Face to Face	JIS B2002
连接法兰 Flange Drilling	JIS B2212 B2214
试验标准 Pressure test	JIS B2003

注：阀体材质有WCB、SCS13、SCS13A、SCS14、SCS14A、SCS19、SCS19A、SCS16、SCS16A，本表仅以SCS13举例。
Note: Body material WCB, SCS13, SCS13A, SCS14, SCS14A, SCS19, SCS19A, SCS16, SCS16A, this only USES the example of SCS13.

主要外形及连接尺寸 Main external and connecting dimensions(mm)

Pressure	Size	L	D	D1	D2	b	H	n-φd
10K	15	108	95	70	52	12	67	4-15
	20	117	100	75	58	14	71	4-15
	25	127	125	90	70	14	80	4-19
	40	165	140	105	85	16	96	4-19
	50	203	155	120	100	16	108	4-19
	65	216	175	140	120	18	157	4-19
	80	241	185	150	130	18	165	8-19
	100	271	210	175	155	18	218	8-19
	125	330	250	210	185	20	255	8-23
	150	356	280	240	215	22	296	8-23
20K	20	495	330	290	265	22	354	12-23
	250	622	400	355	325	24	410	12-25
	300	398	440	400	370	24	485	16-25
	15	152	95	70	52	14	84	4-15
	20	178	100	75	58	16	85	4-15
	25	216	125	90	70	16	88	4-19
	40	241	140	105	85	18	91	4-19
	50	267	155	120	100	18	101	8-19
	65	292	175	140	120	20	157	8-19
	80	318	200	160	135	22	165	8-23
100	356	225	185	160	24	218	8-23	
125	400	270	225	195	26	255	8-25	
150	444	305	260	230	28	296	12-25	
200	533	350	305	175	30	354	12-25	
250	622	430	380	345	34	410	12-27	
300	711	480	430	395	35	485	16-27	

锻钢法兰旋启式止回阀
Forged Steel Flange Swing Check Valve



主要零件材质 Material Specifications

序号 No.	部件 Parts	材料 Material
1	法兰 Flange	A105
2	阀体 Body	A105
3	阀座 Seat	13Cr
4	阀瓣 Disc	13Cr
5	摇杆 Rocker	13Cr
6	垫片 Gasket	不锈钢+柔性石墨
7	阀盖 Bonnet	A105
8	螺母 Nut	A194-2H
9	螺栓 Bolt	A193-B7

设计标准 Valve design

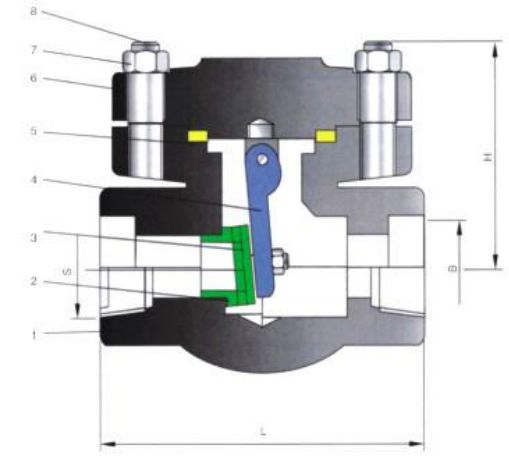
技术规范 Technical specification	
设计标准 Valve design	BS 5352
结构特征 Construction Feature	明杆, 螺栓连接阀盖或焊接阀盖 B.B OS & Y or WB OS & Y
结构长度 Face to Face	ANSI B16.10
法兰尺寸 Flanged connection	ANSI B16.5
测试标准 Test inspection	API 598
主体材料 Body material	A105, F304, F316, F304L, F316L, F5, F11, F22...

结构尺寸 Dimensions(Class 900/1500/2500)

公称通径 inch	mm	压力等级 Class	L	D	C	g	T	n-d	H (Open)	
									缩径	全径
1/2"	15	150	108	90	60.5	35	11.5	4-16	61	61
		300	140	95	66.5		14.5	4-16		
		600	165	95	66.5		14.5	4-16		
3/4"	20	150	117	100	70	43	13	4-16	61	78
		300	152	115	82.5		16	4-19		
		600	190	115	82.5		16	4-19		
1"	25	150	127	110	79.5	51	14.5	4-16	78	84
		300	165	125	89		18	4-19		
		600	216	125	89		18	4-19		
1 1/4"	32	150	140	115	89	63	16	4-16	84	101
		300	178	135	98.5		19.5	4-19		
		600	229	135	98.5		21	4-19		
1 1/2"	40	150	165	125	98.5	73	18	4-16	101	120
		300	190	155	114.5		21	4-22.5		
		600	241	155	114.5		22.5	4-22.5		
2"	50	150	178	150	120.5	92	19.5	4-19	120	133
		300	216	165	127		22.5	8-19		
		600	292	165	127		26	8-19		

锻钢丝扣/焊接旋启式止回阀
Forged Steel Thread / Welded Swing Check Valve

止回阀系列
Check Valve Series



主要零件材质 Material Specifications

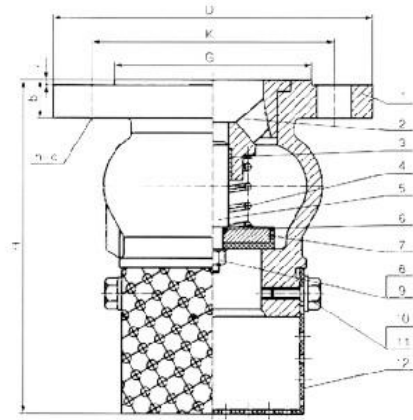
序号 No.	部件 Parts	材料 Material
1	阀体 Body	A105
2	阀座 Seat	13Cr
3	阀瓣 Disc	13Cr
4	摇杆 Rocker	13Cr
5	垫片 Gasket	不锈钢+柔性石墨
6	阀盖 Bonnet	A105
7	螺母 Nut	A194-2H
8	螺栓 Bolt	A193-B7

设计标准 Valve design

技术规范 Technical specification	
设计标准 Valve design	BS 5352
结构特征 Construction Feature	明杆, 螺栓连接阀盖或焊接阀盖 B.B OS & Y or WB OS & Y
螺纹连接尺寸 FNPT connection	ANSI B1.20.1
承插焊连接尺寸 Socket weld connection	ANSI B16.11
测试标准 Test inspection	API 598
主体材料 Body material	A105, F304, F316, F304L, F316L, F5, F11, F22...

结构尺寸 Dimensions(Class 800)

公称通径		L	B				S				H(开) H(Open)		
inch	mm		ANSI		JIS		ANSI NPT牙形60°		ISO、BS、JIS 牙形55°				
缩径	全径		缩径	全径	缩径	全径	缩径	全径	缩径	全径			
1/2"	15	80	21.8		22.2		1/2"		1/2"		61		
3/4"	1/2"	20	15	92	27.1	21.8	27.7	22.2	3/4"	1/2"	3/4"	1/2"	61
1"	3/4"	25	20	111	33.8	27.1	34.5	27.7	1"	3/4"	1"	3/4"	78
1 1/4"	1"	32	25	120	42.6	33.8	43.2	34.5	1 1/4"	1"	1 1/4"	1"	94
1 1/2"	1 1/4"	40	32	120	48.7	42.6	49.1	43.2	1 1/2"	1 1/4"	1 1/2"	1 1/4"	101
2"	1 1/2"	50	40	140	61.1	48.7	61.1	49.1	2"	1 1/2"	2"	1 1/2"	120
	2"	50	170		61.1		61.1		2"		2"		133



主要零件材质 Material Specifications

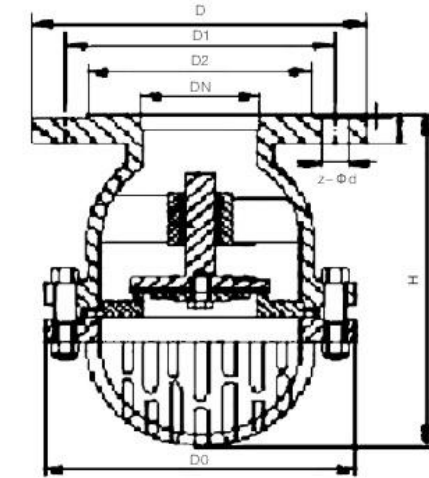
序号 No.	部件 Parts	材料 Material
1	阀体 Body	球墨铸铁 DI、灰铁体 CI
2	阀盖 Bonnet	球墨铸铁 DI、灰铁体 CI
3	衬套 Bushing	黄铜 Brass
4	弹簧 Spring	65Mn
5	引导阀杆 Guiding stem	不锈钢 Stainless steel
6	O型圈 O-ring	丁腈橡胶 NBR
7	阀瓣 Disc	球墨铸铁/丁腈橡胶 DI/NBR/灰铁体 CI
8	螺母 Nut	碳钢 Carbonsteel

设计标准 Valve design

技术规范 Technical specification	
结构长度 Face to Face	ISO
连接法兰 Flange Drilling	DIN/BS/JIS/ANSI
压力 Pressure	PN10/PN16/10K/150LB

主要外形及连接尺寸 Main external and connecting dimensions(mm)

DN	H	L	K		G		f	B		n-d	
			PN10	PN16	PN10	PN16		PN10	PN16	PN10	PN16
40	143	150	110		84		3	18	18	4-19	4-19
50	165	165	125		99		3	20	20	4-19	4-19
65	201	185	145		118		3	20	20	4-19	4-19
80	221	200	160		132		3	22	22	8-19	8-19
100	265	220	180		156		3	24	24	8-19	8-19
125	300	250	210		184		3	26	26	8-19	8-19
150	360	285	240		211		3	26	26	8-23	8-23
200	470	340	295		266		3	26	30	8-23	12-23
250	568	405	350	355	319		3	28	32	12-23	12-28
300	658	460	400	410	370	370	4	28		12-23	12-28



主要零件材质 Material Specifications

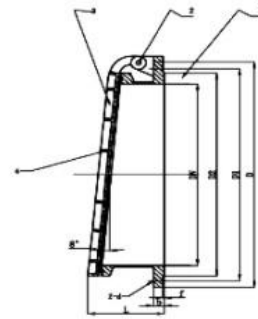
零件名称 Part name	材料 Material
阀体 Body	灰铁体 CI
阀瓣 Disc	灰铁体 CI
密封圈 Sealing ring	氟橡胶 VITON
阀盖 Bonnet	灰铁体 CI

设计标准 Valve design

技术规范 Technical specification	
压力 Pressure	PN2.5, PN10

主要外形及连接尺寸 Main external and connecting dimensions(mm)

型号 Type	Size	D	D1	D2	b-f	z-φd	D0	h0	H
H42X-2.5	50	140	110	90	16-3	4-14	132	17	140
	65	160	130	110	16-3	4-14	167	25	177.5
	80	185	150	125	18-3	4-18	196	32	200.5
	100	205	170	145	18-3	4-18	243	40	226.5
	125	235	200	170	20-3	8-18	274	43	263.5
	150	260	225	200	20-3	8-18	311	58	280.5
	200	315	280	255	22-3	8-18	402	65	380
	250	370	335	310	24-3	12-18	458	84	500
	300	435	395	362	24-4	12-23	515	90	540
	350	485	445	412	26-4	12-23	600	130	600



Features and USES

The flap valve is mainly installed at the end of the drainage pipe to prevent the backflow of the outside water. Material is divided into stainless steel, cast iron, steel, composite materials (glass reinforced plastics) and other materials. Clapdoor is a one-way valve installed in the outlet of the drainage pipe along the river. When the water level of the river is higher than the outlet water pipe and the pressure is greater than the pressure inside the pipe, the clapdoor panel will automatically close to prevent the river tide from pouring back into the drainage pipe.

Product features:

- Compared with the traditional gate, batting gate has the following advantages:
1. More energy saving (such as opening and closing doors without external force)
 2. Long service life (simple mechanical structure, easy maintenance)
 3. Easy to use (switch does not need manual operation)

主要零件材质 Material Specifications

序号 No.	部件 Parts	材料 Material
1	Body	GGG50
2	Pin shaft	SS304
3	Disc	GGG50
4	Seat	Brass

主要外形及连接尺寸 Main external and connecting dimensions(mm)

DN	PN	L	D	D1	D2	b	f	Z-d
50	16	100	165	125	102	19	3	4-19
65	16	120	185	145	122	19	3	4-19
80	16	130	200	160	132	19	3	8-19
100	16	150	220	180	156	19	3	8-19
125	16	160	250	210	184	19	3	8-19
150	16	180	285	240	211	19	3	8-23
200	16	220	340	295	266	20	3	12-23
250	16	230	405	355	319	22	3	12-28
300	16	240	460	410	370	24.5	4	12-28
350	16	250	520	470	429	26.5	4	16-28
400	16	260	580	525	480	28	4	16-31
450	16	270	640	585	548	30	4	20-31
500	16	280	715	650	609	31.5	4	20-34
600	16	300	840	770	720	36	5	20-37
700	16		910	840	794	39.5	5	24-37
800	16		1025	950	901	43	5	24-40
900	16		1125	1050	1001	46.5	5	28-40
1000	16		1255	1170	1112	50	5	28-43
1200	16		1485	1390	1326	57	5	32-49

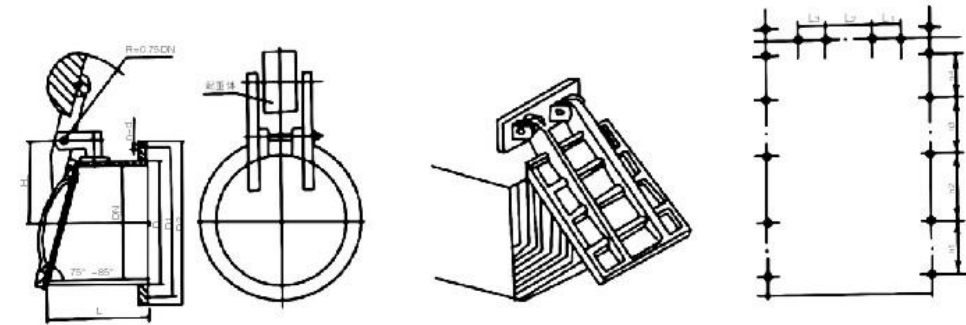
Working principle:

The valve seat (valve body), valve plate, sealing ring, hinge four parts. It is only used for round and square water outlet of one-way water flow, with strict structure and reliable work, and no need for manual operation of opening and closing force from water source pressure. When the water pressure inside the batting door is greater than the pressure outside the batting door, it will be opened. If not, close it.

Applicable medium: water, river water, river water, seawater, domestic and industrial sewage

Scope of application: applicable to water conservancy system, municipal sewage, urban flood control and drainage, sewage treatment plant, waterworks, etc.

Installation

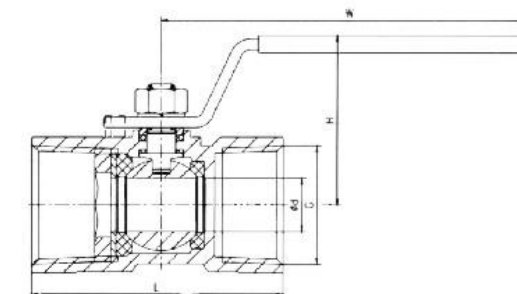


不锈钢丝扣阀门系列 Stainless Steel Wire Buckle Valve Series



1片式丝扣球阀 1PC Threaded Ball Valve

不锈钢丝扣阀门系列 Stainless Steel Wire Buckle Valve Series



主要零件材质 Material Specifications

材料名称 Material Name	Q11F-(16-64)C	Q11F-(16-64)P	Q11F-(16-64)R
阀体 Body	WCB	ZG1Cr18Ni9Ti CF8	ZG1Cr18Ni12Mo2Ti CF8M
球体 Ball	1Cr18Ni9Ti 304	1Cr18Ni9Ti 304	1Cr18Ni12Mo2Ti 316
阀杆 Stem	1Cr18Ni9Ti 304	1Cr18Ni9Ti 304	1Cr18Ni12Mo2Ti 316
密封圈 Sealing	聚四氟乙烯 Polytetrafluorethylene (PTFE)		
填料 Gland Packing	聚四氟乙烯 Polytetrafluorethylene (PTFE)		

性能规范 Specifications

技术规范 Technical specification	
公称压力 Nominal pressure	PN1.6, 2.5, 4.0, 6.4MPa
强度试验压力 Strength testing pressure	PT2.4, 3.8, 6.0, 9.6MPa
低压气密封试验压力 Seat testing pressure (low pressure)	0.6MPa
适用介质 Applicable medium	Q11F-(16-64)C 水、油品、气 Water, Oil, Gas
适用温度 Suitable temperature	-29~180℃
适用介质 Applicable medium	Q11F-(16-64)P 硝酸类 Nitric acid Q11F-(16-64)R 醋酸类 Acetic acid

主要外形及连接尺寸 Main external and connecting dimensions(mm)

DN	G	d	L	H	W
8	1/4"	5	40	28	70
10	3/8"	7	45	30	70
15	1/2"	9	55	34	90
20	3/4"	12	60	38	90
25	1"	15	70	50	110
32	1 1/4"	20	80	56	120
40	1 1/2"	25	86	60	130
50	2"	32	101	65	140
65	2 1/2"	38	117	72	170
80	3"	50	140	105	185

2片式丝扣球阀
2PC Threaded Ball Valve



主要零件材质 Material Specifications

材料名称 Material Name	Q11F-(16-64)C	Q11F-(16-64)P	Q11F-(16-64)R
阀体 Body	WCB	ZG1Cr18Ni9Ti CF8	ZG1Cr18Ni12Mo2Ti CF8M
阀盖 Bonnet	WCB	ZG1Cr18Ni9Ti CF8	ZG1Cr18Ni12Mo2Ti CF8M
球体 Ball	1Cr18Ni9Ti 304	1Cr18Ni9Ti 304	1Cr18Ni12Mo2Ti 316
阀杆 Stem	1Cr18Ni9Ti 304	1Cr18Ni9Ti 304	1Cr18Ni12Mo2Ti 316
密封圈 Sealing	聚四氟乙烯 Polytetrafluorethylene (PTFE)		
填料 Gland Packing	聚四氟乙烯 Polytetrafluorethylene (PTFE)		

性能规范 Specifications

技术规范 Technical specification	
公称压力 Nominal pressure	PN1.6, 2.5, 4.0, 6.4MPa
强度试验压力 Strength testing pressure	PT2.4, 3.8, 6.0, 9.6MPa
低压气密封试验压力 Seat testing pressure (low pressure)	0.6MPa
适用介质 Applicable medium	Q11F-(16-64)C 水、油品、气 Water, Oil, Gas
适用温度 Suitable temperature	-29~180℃
适用介质 Applicable medium	Q11F-(16-64)P 硝酸类 Nitric acid Q11F-(16-64)R 醋酸类 Acetic acid

主要外形及连接尺寸 Main external and connecting dimensions(mm)

DN	G	d	L			E		H		W	
			①	②	③	① ②	③	① ②	③	① ②	③
8	1/4"	10	55	55	57	11.5	14	50	58	90	80
10	3/8"	12	55	60	57	11.5	14	50	58	90	80
15	1/2"	15	63	75	57	14	14	58	58	90	90/80
20	3/4"	20	73	80	65	15	15	62	62	110	110/90
25	1"	25	84	90	76/79	15	15	72	72	120	120/110
32	1 1/4"	32	98	110	88/90	18	18	80	80	130	130/120
40	1 1/2"	38	106	120	97/98	19	19	90	90	150	150/130
50	2"	50	121	140	119/116	19	19	98	98	170	170/150
65	2 1/2"	64	146	185		23		125		220	
80	3"	78	166	205		25		138		240	
100	4"	100	204	240		28		156		300	

3片式丝扣球阀
3PC Threaded Ball Valve



主要零件材质 Material Specifications

材料名称 Material Name	碳钢 Carbon steel	不锈钢 Stainless steel	锻钢 Forged steel
阀体 Body	A216 WCB	A351 CF8 A351 CF8M	A105
阀盖 Bonnet	A216 WCB	A351 CF8 A351 CF8M	A105
球体 Ball	A276 304 / A276 316		
阀杆 Stem	2Cr13 / A276 304 / A276 316		
阀座 Seat	PTFE, CTFE, PEEK, DELBIN		
填料 Gland Packing	PTFE / 柔性石墨 PTFE / Flexible Graphite		
压盖 Gland	A216 WCB	A351 CF8	A216 WCB
螺栓 Bolt	A193-B7	A193-B8M	A193-B7
螺母 Nut	A194-2H	A194-8	A194-2H

设计标准 Valve design

技术规范 Technical specification	
设计标准 Design Standard	ASME B16.34
结构长度 Face to Face	DIN3202-M3
连接法兰 Flanged Ends	ASME B12.01(NPT), DIN2999&BS21 ISO228/1&ISO7/1
试验与检验 Test Inspection	API

主要外形及连接尺寸 Main external and connecting dimensions(mm)

DN(mm)	G	d	L		H	W
			①	②		
8	1/4"	10	65			90
10	3/8"	12	65		50	90
15	1/2"	15	75	75	55	100
20	3/4"	20	80	80	60	120
25	1"	25	90	90	70	140
32	1 1/4"	32	110	110	82	140
40	1 1/2"	38	120	120	90	180
50	2"	50	140	140	105	200
65	2 1/2"	64	160	185	120	220
80	3"	78	180	205	132	240
100	4"	100	215	240	160	300

如需其他标准参数请与本公司联系
If you need other standard specification, please contact us



主要零件材质 Material Specifications

材料名称 Material Name	Z15H-(16-64)C	Z15H-(16-64)P	Z15H-(16-64)R
阀体 Body	WCB	ZG1Cr18Ni9Ti CF8	ZG1Cr18Ni12Mo2Ti CF8M
闸板 Disc	WCB	ZG1Cr18Ni9Ti CF8	ZG1Cr18Ni12Mo2Ti CF8M
阀杆 Stem	1Cr18Ni9Ti 304	1Cr18Ni9Ti 304	1Cr18Ni12Mo2Ti 316
密封 Sealing	304, 316		
填料 Gland Packing	聚四氟乙烯 Polytetrafluoroethylene (PTFE)		

性能规范 Specifications

技术规范 Technical specification	
公称压力 Nominal pressure	PN1.6, 2.5, 4.0, 6.4MPa
强度试验压力 Strength testing pressure	PT2.4, 3.8, 6.0, 9.6MPa
高压密封试验压力 Seat testing pressure(high pressure)	1.8, 2.8, 4.4, 7.1MPa
适用介质 Applicable medium	Z15H-(16-64)C 水、油品、气 Water, Oil, Gas
适用温度 Suitable temperature	-29~180°C
适用介质 Applicable medium	Z15H-(16-64)P 硝酸类 Nitric acid Z15H-(16-64)R 醋酸类 Acetic acid

主要外形及连接尺寸 Main external and connecting dimensions(mm)

DN	G	L	E	B	H	W
15	1/2"	55	16	31	90	70
20	3/4"	60	18	38	98	70
25	1"	68	20	46	108	70
32	1 1/4"	76	21.5	56	128	80
40	1 1/2"	80	23	63	152	100
50	2"	93	24.5	76	166	100



主要零件材质 Material Specifications

材料名称 Material Name	J11H-(16-64)C	J11W-(16-64)P	J11W-(16-64)R
阀体 Body	WCB	ZG1Cr18Ni9Ti CF8	ZG1Cr18Ni12Mo2Ti CF8M
阀盖 Bonnet	WCB	ZG1Cr18Ni9Ti CF8	ZG1Cr18Ni12Mo2Ti CF8M
阀瓣 Disc	ZG1Cr18Ni9Ti CF8	ZG1Cr18Ni9Ti CF8	ZG1Cr18Ni12Mo2Ti CF8M
阀杆 Stem	1Cr18Ni9Ti 304	1Cr18Ni9Ti 304	1Cr18Ni12Mo2Ti 316
密封 Sealing	304, 316		
填料 Gland Packing	聚四氟乙烯 Polytetrafluoroethylene (PTFE)		

性能规范 Specifications

技术规范 Technical specification	
公称压力 Nominal pressure	PN1.6, 2.5, 4.0, 6.4MPa
强度试验压力 Strength testing pressure	PT2.4, 3.8, 6.0, 9.6MPa
高压密封试验压力 Seat testing pressure(high pressure)	1.8, 2.8, 4.4, 7.1MPa
适用介质 Applicable medium	J11H-(16-64)C 水、油品、气 Water, Oil, Gas
适用温度 Suitable temperature	-29~180°C
适用介质 Applicable medium	J11W-(16-64)P 硝酸类 Nitric acid J11W-(16-64)R 醋酸类 Acetic acid

主要外形及连接尺寸 Main external and connecting dimensions(mm)

DN	G	L	E	B	H	W
8	1/4"	65	15	23	80	70
10	3/8"	65	15	26	80	70
15	1/2"	65	16	31	88	70
20	3/4"	75	18	38	95	70
25	1"	90	20	46	110	80
32	1 1/4"	105	21.5	56	123	100
40	1 1/2"	120	23	63	135	100
50	2"	140	24.5	76	150	100
65	2 1/2"	152	27	89	180	120
80	3"	175	30	104	210	140

丝扣止回阀 Thread Check Valve



主要零件材质 Material Specifications

材料名称 Material Name	H _{1/2} H-(16-64)C	H _{1/2} W-(16-64)P	H _{1/2} W-(16-64)R
阀体 Body	WCB	ZG1Cr18Ni9Ti CF8	ZG1Cr18Ni12Mo2Ti CF8M
阀盖 Bonnet	WCB	ZG1Cr18Ni9Ti CF8	ZG1Cr18Ni12Mo2Ti CF8M
阀瓣 Disc	ZG1Cr18Ni9Ti CF8	ZG1Cr18Ni9Ti CF8	ZG1Cr18Ni12Mo2Ti CF8M
密封 Sealing	304, 316, PTFE		
垫片 Gasket	聚四氟乙烯 Polytetrafluorethylene (PTFE)		

性能规范 Specifications

技术规范 Technical specification	
公称压力 Nominal pressure	PN1.6, 2.5, 4.0, 6.4MPa
强度试验压力 Strength testing pressure	PT2.4, 3.8, 6.0, 9.6MPa
高压密封试验压力 Seat testing pressure (high pressure)	1.8, 2.8, 4.4, 7.1MPa
适用介质 Applicable medium	H _{1/2} H-(16-64)C 水、油品、气 Water, Oil, Gas
适用温度 Suitable temperature	-29~180°C
适用介质 Applicable medium	H _{1/2} W-(16-64)P 硝酸类 Nitric acid H _{1/2} W-(16-64)R 醋酸类 Acetic acid

主要外形及连接尺寸 Main external and connecting dimensions(mm)

DN	G	L	E	B	H
8	1/4"	65	10	24	42
10	3/8"	65	10	24	42
15	1/2"	65	12	26	42
20	3/4"	75	17	32	46
25	1"	90	20	41	54
32	1 1/4"	105	20	49	58
40	1 1/2"	120	20	56	66
50	2"	140	23	69	74
65	2 1/2"	165	27	86	89
80	3"	185	30	98	102

丝扣过滤器 Thread Strainer

不锈钢丝扣阀门系列 Stainless Steel Wire Buckle Valve Series



主要零件材质 Material Specifications

材料名称 Material Name	SY11-(16-64)C	SY11-(16-64)P	SY11-(16-64)R
阀体 Body	WCB	ZG1Cr18Ni9Ti CF8	ZG1Cr18Ni12Mo2Ti CF8M
阀盖 Bonnet	WCB	ZG1Cr18Ni9Ti CF8	ZG1Cr18Ni12Mo2Ti CF8M
过滤网 Mesh	1Cr18Ni9Ti 304	1Cr18Ni9Ti 304	1Cr18Ni12Mo2Ti 316
垫片 Gasket	聚四氟乙烯 Polytetrafluorethylene (PTFE)		

性能规范 Specifications

技术规范 Technical specification	
公称压力 Nominal pressure	PN1.6, 2.5, 4.0, 6.4MPa
强度试验压力 Strength testing pressure	PT2.4, 3.8, 6.0, 9.6MPa
高压密封试验压力 Seat testing pressure (high pressure)	1.8, 2.8, 4.4, 7.1MPa
适用介质 Applicable medium	SY11-(16-64)C 水、油品、气 Water, Oil, Gas
适用温度 Suitable temperature	-29~180°C
适用介质 Applicable medium	SY11-(16-64)P 硝酸类 Nitric acid SY11-(16-64)R 醋酸类 Acetic acid

主要外形及连接尺寸 Main external and connecting dimensions(mm)

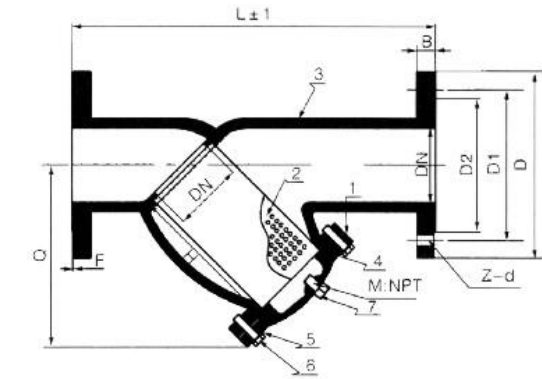
DN	G	L	E	B	H
8	1/4"	64	12	24	44
10	3/8"	64	12	24	44
15	1/2"	64	14	26	44
20	3/4"	75	15	32	52
25	1"	89	17	41	64
32	1 1/4"	102	20	49	68
40	1 1/2"	118	20	56	76
50	2"	139	22	69	88
65	2 1/2"	180	28	84	110
80	3"	200	32	98	135

过滤器系列 Strainer Series



德标铸铁过滤器 DIN Cast Iron Strainer

过滤器系列 Strainer Series



产品概述 Product Overview

Y型过滤器属于管道粗过滤器可用于液体、气体或其他介质大颗粒物过滤安装在管道上能除去流体中的较大固体杂质使机器设备(包括压缩机、泵等)仪表能正常工作和运转达到稳定工艺过程,保障安全生产的作用。当流体进入置有一定规格滤网的滤筒后其杂质被阻挡而清洁的滤液则由过滤器出口排出当需要清洗时只要将可拆卸的滤筒取出处理后重新装入即可因此使用维护极为方便。

Y strainer belongs to pipeline coarse filter it can filter big PM in fluid, air or other media It was installed on the pipeline to remove larger solid impurity in fluid, so that the machinery equipment (include compressor and pump etc), instrument can work and operate normally to steady technology and guarantee safety production. When the fluid enter into certain size screen, the impurity was stopped, and the clean filtrate will be discharged from strainer exit. When it was cleaned, as long as knock down screen, reload after handling, so the use and maintenance is very convenient.

主要零件材质 Material Specifications

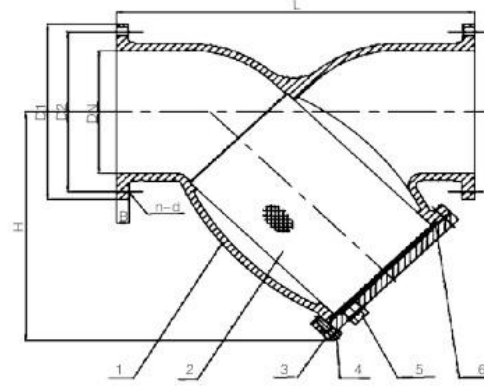
NO.	部件 Parts	材料 Material
1	阀盖 Bonnet	球墨铸铁 DI、灰铸铁 CI
2	滤网 Screen	不锈钢 SS304
3	阀体 Body	球墨铸铁 DI、灰铸铁 CI
4	阀盖垫片 Bonnet Gasket	橡胶 NBR
5	垫片 Gasket	不锈钢 SS304
6	螺栓 Bolt	不锈钢 SS304
7	堵头 Plug	碳钢 Carbon Steel

设计标准 Valve design

技术规范 Technical specification	
结构长度 Face to Face	DIN3202-F1
连接法兰 Flange Drilling	DIN2532/DIN2533
压力 Pressure	PN10/PN16

主要外形及连接尺寸 Main external and connecting dimensions(mm)

DN	D		D1	D2	L	B	F	Z-d		M	Q	
	PN10/16							PN10	PN16			
15	Φ90		Φ65	Φ45	130	14	3	4-Φ14	4-Φ14		63	
20	Φ95		Φ75	Φ58	150	16	3	4-Φ14	4-Φ14		70	
25	Φ105		Φ85	Φ68	160	16	3	4-Φ14	4-Φ14		73	
32	Φ115		Φ100	Φ78	180	18	3	4-Φ19	4-Φ19		108	
40	Φ150		Φ110	Φ88	200	19	3	4-Φ19	4-Φ19		130	
50	Φ165		Φ125	Φ102	230	19	3	4-Φ19	4-Φ19	3/8	135	
65	Φ185		Φ145	Φ122	290	19	3	4-Φ19	4-Φ19	3/8	156	
80	Φ200		Φ160	Φ138	310	19	3	8-Φ19	8-Φ19	3/8	176	
100	Φ220		Φ180	Φ158	350	19	3	8-Φ19	8-Φ19	3/8	205	
125	Φ250		Φ210	Φ188	400	19	3	8-Φ19	8-Φ19	3/8	245	
150	Φ285		Φ240	Φ212	480	19	3	8-Φ23	8-Φ23	3/4	303	
200	Φ340		Φ295	Φ268	600	20	3	8-Φ23	12-Φ23	3/4	399	
250	Φ405	Φ350	Φ355	Φ320	730	22	3	12-Φ23	12-Φ27	3/4	469	
300	Φ460	Φ400	Φ410	Φ370	Φ378	850	24.5	4	12-Φ23	12-Φ27	3/4	537
350	Φ520	Φ460	Φ470	Φ430	Φ438	980	30	4	12-Φ23	12-Φ27	3/4	630
400	Φ580	Φ515	Φ525	Φ480	Φ487	1100	32	4	12-Φ23	12-Φ30	3/4	537



主要零件材质 Material Specifications

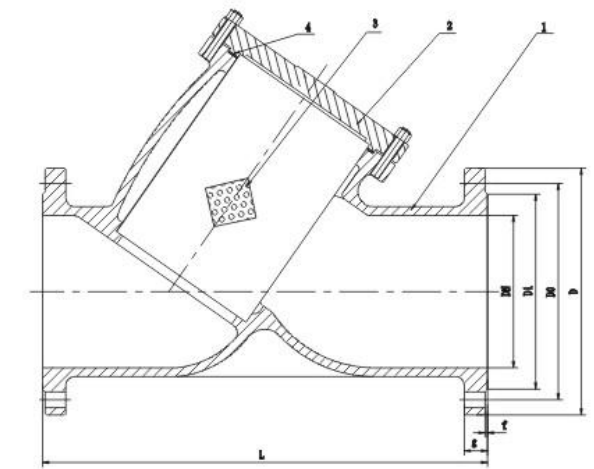
NO.	部件 Parts	材料 Material
1	阀盖 Bonnet	球墨铸铁 DI、灰铸铁 CI
2	滤网 Screen	不锈钢 SS304
3	阀体 Body	球墨铸铁 DI、灰铸铁 CI
4	阀盖垫片 Bonnet Gasket	橡胶 NBR
5	垫片 Gasket	不锈钢 SS304
6	螺栓 Bolt	不锈钢 SS304
7	堵头 Plug	碳钢 Carbon Steel

设计标准 Valve design

技术规范 Technical specification	
结构长度 Face to Face	DIN3202-F1
连接法兰 Flange Drilling	DIN2532/DIN2533
压力 Pressure	PN10, PN16

主要外形及连接尺寸 Main external and connecting dimensions(mm)

DN	L	D1	D2	B		n-d	H
				125LB	150LB		
2"	225	152	121	15.8	19	4-19	151
2 1/2"	273	178	139.5	17.8	22	4-19	189
3"	292	190	152.5	19	24	4-19	214
4"	352	228	190.5	24	24	8-19	226
5"	416	254	215.9	24	24	8-22.4	273
6"	470	279	241.5	25.4	25.4	8-22.4	301
8"	543	342	298.5	28.5	28.5	8-22.4	370
10"	660	406	362	30	30	12-25.4	457
12"	762	483	432	31.8	31.8	12-25.4	540
14"	980	520	476	35	35	12-29	740
16"	1000	580	539.5	36.6	36.6	16-29	850
18"	1200	640	578	39.6	39.6	16-32	850



主要零件材质 Material Specifications

序号 No.	部件 Parts	材料 Material
1	阀体 Body	灰铸铁 CI, 球墨铸铁 DI, 碳钢 WCB
2	滤网 Screen	不锈钢 304
3	垫片 Shim	PTFE
4	阀盖 Bonnet	灰铸铁 CI, 球墨铸铁 DI, 碳钢 WCB

设计标准 Valve design

技术规范 Technical specification	
设计标准 Valve Design	BS5153, EN13709
结构长度 Face to Face	EN558
连接法兰 Flange Drilling	BS4504/EN1092-2

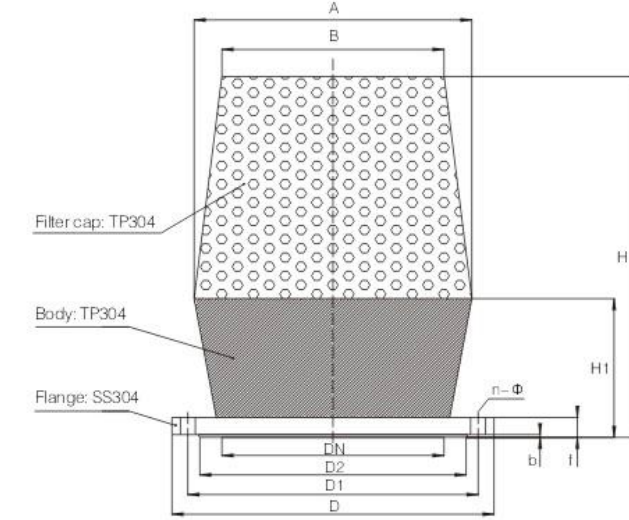
主要外形及连接尺寸 Main external and connecting dimensions(mm)

PN16

DN	L	D	D1	D2	b	f	Z-Φd	H
50	215	165	125	100	16	3	4-19	155
65	250	185	145	120	18	3	4-19	170
80	285	200	160	135	20	3	8-19	185
100	300	220	180	155	20	3	8-19	220
125	350	250	210	185	22	3	8-19	260
150	385	285	240	210	24	3	12-23	350
200	490	340	295	265	26	3	12-28	370
250	550	405	355	320	30	3	12-28	430
300	620	460	410	375	30	4	12-28	465
350	685	520	470	435	34	4	16-28	550
400	785	580	525	485	36	4	16-31	610
450	850	640	585	545	40	4	20-31	725
500	900	715	650	608	44	4	20-34	750
600	1080	840	770	718	48	5	20-37	950
700	1200	910	840	788	50	5	24-36	1250
800	1400	1025	950	898	52	5	24-39	1400
900	1650	1125	1050	998	54	5	28-39	1500
1000	2000	1255	1170	1110	56	5	28-42	1800
1200	2200	1485	1390	1325	58	5	32-48	2000
1400	2500	1685	1590	1525	60	5	36-48	2200
1500	2700	1785	1690	1625	60	5	36-48	2400

PN25

DN	L	D	D1	D2	b	f	Z-Φd	H
50	225	165	125	100	20	3	4-19	155
65	265	185	145	120	22	3	8-19	170
80	285	200	160	135	22	3	8-19	185
100	305	235	190	160	24	3	8-22	220
125	355	270	220	188	28	3	8-26	260
150	385	300	250	218	30	3	8-26	350
200	490	360	310	278	34	3	12-26	370
250	550	425	370	332	36	3	12-30	430
300	620	485	430	390	40	4	16-30	465
350	685	555	490	448	44	4	16-33	550
400	785	620	550	505	48	4	16-36	610
450	850	670	600	555	50	4	20-36	725
500	900	730	660	610	52	4	20-36	750
600	1080	845	770	718	56	5	20-39	950
700	1200	960	875	815	60	5	24-42	1250
800	1400	1085	990	930	64	5	24-48	1400
900	1650	1185	1090	1025	66	5	28-48	1500
1000	2000	1320	1210	1140	68	5	28-56	1800
1200	2200	1530	1420	1350	72	5	32-56	2000
1400	2500	1755	1640	1560	75	5	36-60	2200
1500	2700	1855	1740	1650	75	5	36-62	2400



Function

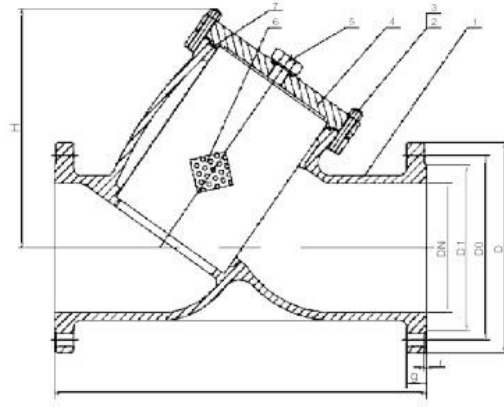
Water outlet strainer is an indispensable device on the medium pipeline, usually installed in the pressure relief valve, pressure relief valve, constant water level valve, square filter other equipment inlet equipment. The filter has a certain size of filter mesh filter cylinder, its impurities are blocked, when the need to clean, as long as the removable filter cylinder out, after treatment can be reloaded, therefore, the use and maintenance is very convenient.

滤网目数一般过水采用10-30目/cm², 过气滤网采用40-100目/cm², 过油滤网采用60-200目/cm²。

Mesh size of filter screen is generally 10-30 mesh /cm² for water filter, 40-100 mesh /cm² for air filter, and 60-200 mesh /cm² for oil filter

规格尺寸 Main Sizes and Dimensions

DN	Outline size					Mesh aperture(mm)	Connection flange size PN1.6MPa				
	A	B	H	H1	D		D1	D2	b	f	n-Φ
100	120	100	200	60	6	215	180	155	20	3	8-18
125	150	125	250	80	6	245	210	185	22	3	8-18
150	180	150	300	100	6	280	240	210	24	3	8-22
200	250	200	300	100	8	335	295	265	26	3	12-22
250	300	250	400	150	8	405	335	320	30	3	12-25
300	360	300	500	200	8	460	410	375	30	4	12-25
350	420	350	550	250	8	520	470	435	34	4	16-25
400	500	400	650	250	8	580	525	485	36	4	16-30
450	540	450	650	250	8	640	585	545	40	4	20-30
500	600	500	800	300	10	705	650	608	44	4	20-34
600	720	600	800	300	10	840	770	718	48	5	24-41
700	840	700	900	400	10	910	840	788	50	5	24-41
800	960	800	1000	400	10	1020	950	898	52	5	24-41



主要零件材质 Material Specifications

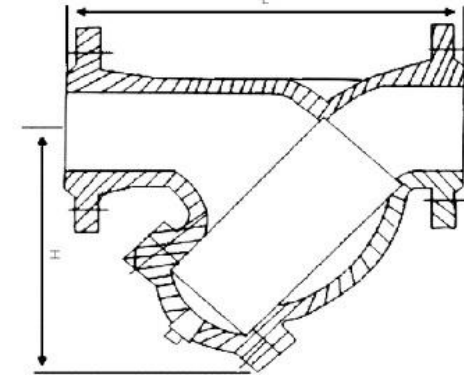
NO.	部件 Parts	材料 Material
1	阀体 Body	GG GS-C25, CF8, CF8M
2	螺栓 Bolt	A193-B7, A193-B8
3	螺母 Nut	A1942H, A194-8
4	阀盖 Bonnet	GG GS-C25, CF8, CF8M
5	螺塞 Plug Screw	S.S 304
6	滤网 Screen	S.S 304
7	垫片 Gasket	Flexible Graphite+304

设计标准 Valve design

技术规范 Technical specification	
设计标准 Valve design	DIN EN13709-2003
结构长度 Face to Face	DIN EN588-1:1995
连接法兰 Flange Drilling	DIN EN1092-1:2002
试验标准 Pressure test	DIN EN12266:2003

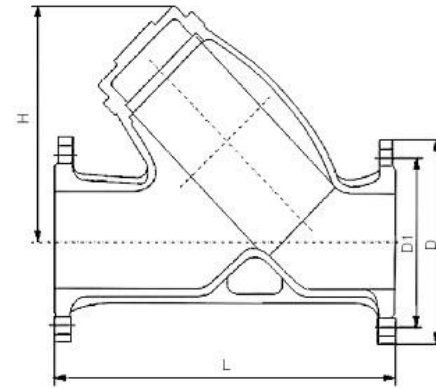
规格尺寸 Main Sizes and Dimensions

公称通径 Nominal diameter DN	PN16								PN25								PN40							
	L	D	Do	D1	g	f	n x d	H	L	D	Do	D1	g	f	n x d	H	L	D	Do	D1	g	f	n x d	H
15	130	95	65	45	16	2	4 x 14	85	130	95	65	45	16	2	4 x 14	85	130	95	65	45	16	2	4 x 14	85
20	150	105	75	58	18	2	4 x 14	95	150	105	75	58	18	2	4 x 14	95	150	105	75	58	18	2	4 x 14	95
25	160	115	85	68	18	2	4 x 14	110	160	115	85	68	18	2	4 x 14	110	160	115	85	68	18	2	4 x 14	110
32	180	140	100	78	18	2	4 x 18	125	180	140	100	78	18	2	4 x 18	125	180	140	100	78	18	2	4 x 18	125
40	200	150	110	88	18	3	4 x 18	145	200	150	110	88	18	3	4 x 18	145	200	150	110	88	18	3	4 x 18	145
50	230	165	125	102	18	3	4 x 18	155	230	165	125	102	20	3	4 x 18	155	230	165	125	102	20	3	4 x 18	155
65	290	185	145	122	18	3	8 x 18	175	290	185	145	122	22	3	8 x 18	175	290	185	145	122	22	3	8 x 18	175
80	310	200	160	138	20	3	8 x 18	210	310	200	160	138	24	3	8 x 18	210	310	200	160	138	24	3	8 x 18	210
100	350	220	180	158	20	3	8 x 18	230	350	235	190	162	24	3	8 x 22	230	350	235	190	162	24	3	8 x 18	230
125	400	250	210	188	22	3	8 x 18	270	400	270	220	188	26	3	8 x 26	270	400	270	220	188	26	3	8 x 18	270
150	480	285	240	212	22	3	8 x 22	300	480	300	250	218	28	3	8 x 26	300	480	300	250	218	28	3	8 x 26	300
200	600	340	295	268	24	3	12 x 22	385	600	360	310	278	30	3	12 x 26	385	600	375	220	285	34	3	12 x 30	385
250	730	405	355	320	26	3	12 x 26	535	730	425	370	335	32	3	12 x 30	535	730	450	385	345	38	3	12 x 33	535
300	850	460	410	378	28	4	12 x 26	680	850	485	430	395	34	4	12 x 30	680	850	515	450	410	42	4	16 x 33	680
350	900	520	470	428	30	4	16 x 26	-	900	555	490	450	38	4	16 x 33	-	900	580	510	465	46	4	16 x 36	-
400	1100	580	525	490	32	4	16 x 30	-	1100	620	550	505	40	4	16 x 36	-	1100	660	585	535	50	4	16 x 39	-



主要连接尺寸 Main connection dimensions

NPS	DN	150lb						300lb						600lb					
		L	D	d	f	K	N-Φ	L	D	d	f	K	N-Φ	L	D	d	F	K	N-Φ
1/2	15	108	90	35	60.5	4-16	152	95	35	60.5	4-16	165	95	35	66.5	4-16			
3/4	20	117	100	43	70	4-16	178	120	43	82.5	4-18	190	120	43	82.5	4-18			
1	25	127	110	51	79.5	4-16	203	125	51	89	4-18	216	125	51	89	4-18			
1 1/4	32	140	120	63.5	89	4-16	216	135	63.5	98.5	4-18	228	135	63.5	98.5	4-18			
1 1/2	40	165	130	73	98.5	4-16	229	155	73	114.5	4-22	241	155	73	114.5	4-22			
2	50	203	150	92	120.5	4-18	267	165	92	127	8-18	292	165	92	127	8-18			
2 1/2	65	216	180	105	139.5	4-18	292	190	105	149	8-22	330	190	105	149	8-22			
3	80	241	190	127	152.5	4-18	318	210	127	168.5	8-22	356	210	127	168.5	8-22			
4	100	292	230	157.5	190.5	8-18	356	255	157.5	200	8-22	432	275	157.5	216	8-26			
5	125	356	255	186	216	8-22	400	280	186	235	8-22	508	330	186	267	8-29.5			
6	150	406	280	216	241.5	8-22	444	320	216	270	12-22	559	355	216	292	12-29.5			
8	200	495	345	270	298.5	8-22	533	380	270	330	12-26	660	420	270	349	12-32.5			
10	250	622	405	324	362	12-26	622	445	324	387.5	16-29.5	787	510	324	432	16-35.5			
12	300	698	485	381	432	12-26	711	520	381	451	16-32.5	838	560	381	489	20-35.5			
14	350	787	535	413	476	12-29.5	838	585	413	514.5	20-32.5	889	605	413	527	20-39			
16	400	914/864	600	470	540	16-29.5	864	650	470	571.5	20-35.5	991	685	470	603	20-42			
18	450	978	635	533.5	578	16-32.5	978	710	533.5	628.5	24-35.5	1092	745	533.5	654	20-45			
20	500	978	700	584	635	20-32.5	1016	775	584	686	24-35.5	1194	815	584	724	24-45			
22	550	1067	750	641	692	20-35.5	1118	840	641	743	24-42	1295	870	641	778	24-48			
24	600	1295	815	692	749.5	20-35.5	1346	915	692	813	24-42	1397	940	692	838	24-51			
26	650	1295	786	711	745	36-22	1346	867	737	803	32-35.5								
28	700	1448	837	762	795	40-22	1499	921	787	857	36-35.5								
30	750	1524	887	813	846	44-22	1594	991	845	921	36-39								



主要零件材质 Material Specifications

NO.	部件 Parts	材料 Material
1	阀体 Body	A216 WCB, A352 LCB, A351 CF8, A351 CF8M, A351 CF3M
2	阀盖 Cover	A216 WCB, A352 LCB, A351 CF8, A351 CF8M, A351 CF3M
3	堵塞 Plug	A351 CF8, A276 304
4	滤网 Screen	A241 304
5	垫片 Gasket	304+Graphite
6	螺栓 Bolt	A193 B7, A193 B8, A307 B
7	螺母 Nut	A194 2H, A194, B

设计标准 Valve design

技术规范 Technical specification	
设计标准 Valve design	JIS B2074 B2081
结构长度 Face to Face	JIS B2072 B2084
连接法兰 Flange Drilling	JIS B2212 B2214
试验标准 Pressure test	JIS B2003

主要外形尺寸和连接尺寸 Main external and connecting dimensions

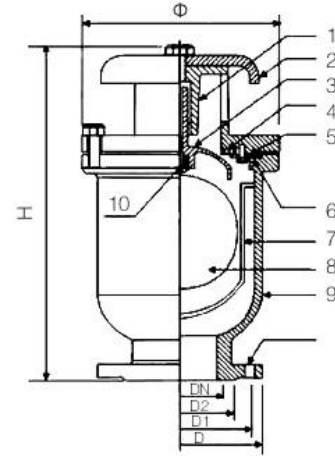
Size	in	2 1/2"	3"	4"	5"	6"	8"	10"	12"
	mm	65	80	100	125	150	200	250	300
10K ST(BB)	L	285	302	377	392	442	540	668	762
	H	165	200	215	257	305	410	490	580
	D	175	185	210	250	280	330	400	450
	D1	140	150	175	210	240	290	355	400

主要外形尺寸和连接尺寸 Main external and connecting dimensions

Size	in	1/2"	3/4"	1"	1 1/4"	1 1/2"	2"	2 1/2"	3"	4"
	mm	15	20	25	32	40	50	65	80	100
10K ST(FT)	L	120	125	155	170	182	200	268	287	340
	H	70	77	82	95	102	125	140	183	212

排气阀系列
Air Release Valve Series





产品概述 Product Overview

本产品用于管路上的最高点或者有闭气的和泵的出口处，来排除管内的气体来疏通管道，使管道达到正常工作，如不装排气阀，管道随时出现气阻，使管道出水容量达不到设计要求。其次：管道在运转时出现停电，停泵管道及时出现负压力会引起管道振动或破裂，排、进气阀就迅速把空气吸入管内，防止管道振动或破裂。

This product is used at the highest point on the pipeline or at the outlet of the closed air and pump to remove the gas in the pipeline to dredge the pipeline and make the pipeline work normally. If the exhaust valve is not installed, the pipeline will appear air resistance at any time, so that the water output capacity of the pipeline cannot meet the design requirements. Secondly: the pipeline in the operation of power failure, stop the pump pipeline in time negative pressure will cause vibration or rupture of the pipeline, the exhaust, inlet valve quickly inhaled the air in the pipe, to prevent vibration or rupture of the pipeline.

作用原理 Action principle

复合式排气阀它必须设有两孔一大一小，大孔与通径孔基本相同，管道首次通水有大量气体往外排，这些气体是从大孔排出。当气体排完后，大孔停止排气，管道在正常运转时，管内自然会产生负压。管内需要大量空气，浮球顺水下降，打开小孔带动大孔进行大量的进气确保管道安全。

注：排气阀在使用过程中压力不低于0.02MPa，如低于0.02MPa排气阀容易漏水，该阀必须配一只阀门作为检修用。

The compound exhaust valve must be equipped with two holes, one big and one small, the big hole and the diameter hole are basically the same, the pipeline first water has a lot of gas to discharge, these gases are discharged from the big hole. When the gas exhaust, the big hole stop exhaust, pipe in normal operation, the tube will naturally produce negative pressure. A large amount of air is needed in the pipe, and the float ball drops down with the water, opening the small hole and driving the large hole to conduct a large amount of air intake to ensure the safety of the pipe.

Note: The pressure of the exhaust valve should not be less than 0.02MPa in the process of use. If the exhaust valve is prone to water leakage, it must be equipped with a valve for maintenance.

技术参数 Technical parameters

技术参数 Technical parameters	
工作压力 Working pressure	1.6/2.5MPa
介质 Medium	水
使用温度 Working temperature	≤80℃

主要零件材质 Material Specifications

NO.	部件 Parts	材料 Material
1	防雨盖 Rain proof cover	QT450/WCB
2	阀盖 Bonnet	QT450/WCB
3	导杆塞头 Guide rod plug	304
4	密封圈 Seal ring	Rubber
5	密封压板 Sealing plate	304
6	密封垫 Gasket	PTFE
7	密封头 Sealing head	Rubber
8	球桶 Ball barrels	304
9	浮球 Float ball	304
10	阀体 Body	QT450/WCB

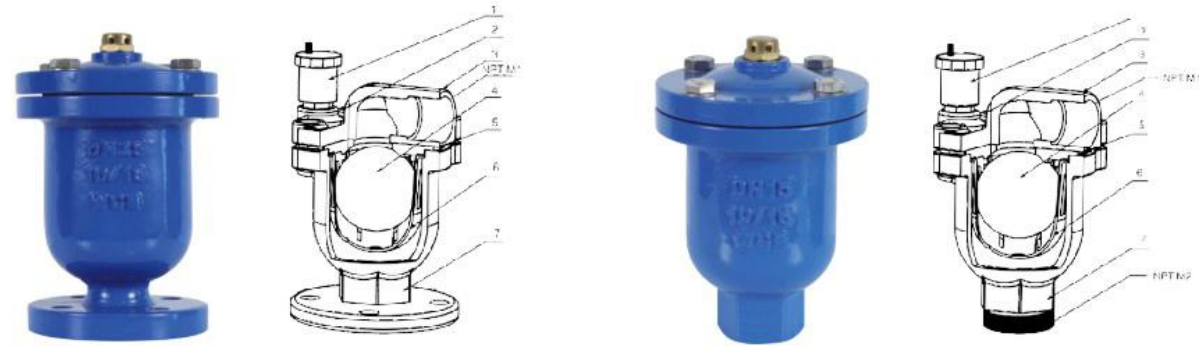
CARX-1.6型外形尺寸表 CARX-1.6 type dimensions

DN	D	D1	D2	Φ	H	Z-Φd
25	115	85	68	165	310	4-14
50	165	125	102	165	310	4-18
80	200	160	138	200	370	8-18
100	220	180	158	220	380	8-18
150	285	240	212	285	500	8-22
200	340	295	268	360	600	12-22
250	405	355	320	465	680	12-26
300	460	410	378	505	780	12-26
350	520	470	438	605	860	16-26
400	580	525	490	660	940	16-30

CARX-2.5型外形尺寸表 CARX-2.5 type dimensions

DN	D	D1	D2	Φ	H	Z-Φd
25	115	85	68	195	320	4-14
50	165	125	102	195	320	4-18
80	200	160	138	242	375	8-18
100	235	190	162	260	395	8-22
150	300	250	218	340	500	8-26
200	360	310	278	405	600	12-26
250	435	370	335	465	680	12-30
300	485	430	395	505	780	16-30
350	555	490	450	605	860	16-33
400	620	550	505	660	940	16-36

单口法兰/丝扣排气阀
Single Flange/Thread Bleed Valve



产品概述 Product Overview

排气阀应用于独立采暖系统、集中供热系统、采暖锅炉中央空调地板采暖及太阳能采暖系统等管道排气。因为水中通常都溶有一定的空气而且空气的溶解度随着温度的升高而减少这样水在循环的过程中气体逐渐从水中分离出来并逐渐聚在一起形成大的气泡甚至气柱因为水的补充所以经常有气体产生。

Exhaust valves are usually applied on the pipelines of independent heating system, central heating supply system, heating boiler central air-conditioning, floor heating and air heating system. Because there are certain air soluble in water and the air solubility decrease when the temperature rise, then the air separate from water during water cycle, it gradually comes together to form larger bubbles or air column, it usually produce gas for the water supplement.

主要零件材质 Material Specifications

NO.	部件 Parts	材料 Material
1	铜空气阀 Copper air valve	黄铜 BRASS(HPb59-1)
2	螺栓 Bolt	碳钢 Carbon steel
3	阀盖 Bonnet	球墨铸铁 DI
4	球 Ball	塑料 ABS
5	密封垫片 Seal Gasket	橡胶 EPDM
6	篮筐 Basket	聚乙烯 POLY
7	Body(阀体)	球墨铸铁 DI

主要连接尺寸 Main connection dimension

单球法兰式排气阀

DN	B	ΦD	ΦK	ΦG	N-ΦC
20	16	105	75	58	4-Φ14
25	16	115	85	68	4-Φ14
32	18	140	100	78	4-Φ18
40	18	150	110	88	4-Φ18
50	19	165	125	102	4-Φ18
80	20	200	160	138	8-Φ18
100	20	220	180	158	8-Φ18

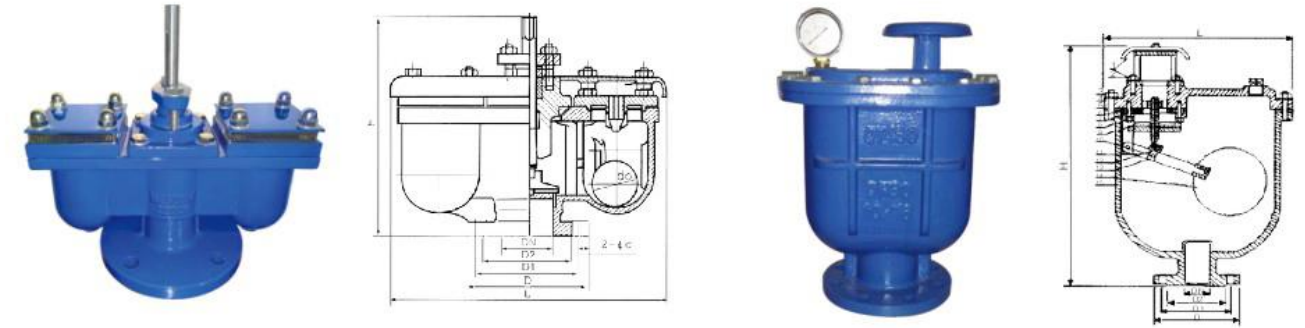
主要连接尺寸 Main connection dimension

单球螺纹式排气阀

DN	M1	M2
20	NPT	NPT
25	NPT	NPT
32	NPT	NPT
40	NPT	NPT
50	NPT	NPT

双球排气阀、复合式排气阀
Double Ball Air Valve, Combined Air Vent Valve

排气阀系列
Air Release Valve Series



产品概述 Product Overview

本阀适用于工作介质为水的管道上作为排除管道内气体的设备提高输送水设备的效率和保护管道不致变形、破裂。当管道负压时本产品能自动吸入空气防止管道破裂；本阀由双球排气排气量大；有自带检修阀检修时关闭检修阀可在线检修。

Air valves are applied on the water pipelines as the equipment to exclude the gas in pipelines, it enhances the efficiency of water transport and protect the pipelines from transformation and broke. When the pipeline under negative pressure, this valve will suction air automatically to prevent the pipeline broken. This valve has big gas displacement for double airvents, it owns maintenance valve, close it when repair then it can be on-line overhaul.

技术参数 Techn ca parameters

使用压力 Using the pressure	1.0MPa
试验压力 Test pressure	1.5MPa
适用介质 Applicable medium	清水 Clear water
适用温度 Suitable temperature	常温 Normal temperature
阀体 Body	灰铁 CI
浮球与塞头 Floating ball and stopper	不锈钢 Stainless steel

主要外形及连接尺寸 Main external and connecting dimensions(mm)

双球排气阀 Double Ball Air valve

DN	D	D1	D2	L	H	Z-Φd
50	160	125	100	325	325	4-14
80	195	160	135	325	325	4-14
100	215	180	155	380	380	4-18
125	245	210	185	475	475	8-18
150	280	240	210	475	475	8-18
200	335	295	265	580	580	8-23

*The above specifications to be varied to suit your specific requirements.

主要外形及连接尺寸 Main external and connecting dimensions(mm)

复合式排气阀 Combined Air Vent Valve

DN	D	D1	D2	L	L1	H	Z-Φd
25	115	85	65	235	180	355	4-14
50	160	125	102	325	205	450	4-18
80	195	160	138	365	235	500	4-18
100	215	180	158	385	258	535	8-18

根据管径大小选择不同规格排气阀
Choose different specifications according to pipe diameter size of exhaust valve

Size	输送水管 Water pipe Φ	Size	输送水管 Water pipe Φ	Size	输送水管 Water pipe Φ	Size	输送水管 Water pipe Φ
25	100-250	80	500-700	150	1200-1500	250	2200-2600
50	300-450	100	800-1000	200	1600-2000	300	2800-3400

水力控制阀系列 Hydraulic Control Valve Series



水力控制阀 Hydraulic Control Valve

水力控制阀系列 Hydraulic Control Valve Series

结构特点 Structural features

水力控制阀就是用水压控制的阀门，它由一个主阀(如图1所示)及其附设的导管、导阀、针阀、球阀和压力表等组成。根据使用目的、功能及场所的不同可演变成遥控浮球阀、减压阀、缓闭止回阀、泄压阀、水力电动控制阀等。水力控制阀分隔膜型和活塞型两类，工作原理相同，都是以上下压力差 ΔP 为动力，由导阀控制，使隔膜(活塞)液压式差动操作，完全由水力自动调节，从而使主阀阀盘完全开启或完全关闭或处于调节状态。当进入隔膜(活塞)上方控制室内的压力水被排到大气或下游低压区时，作用在阀盘底部和隔膜下方的压力值就大于上方的压力值，所以将主阀阀盘推到完全开启的位置；当进入隔膜(活塞)上方控制室的压力水不能排到大气或下游低压区时，作用在隔膜(活塞)上方的压力值就大于下方的压力值，所以就会把主阀阀盘压到完全关闭的位置，当隔膜(活塞)上方控制室内的压力值处于入口压力与出口压力中间时，主阀阀盘就处于调节状态，其调节位置取决于异管系统中的针阀和可调导阀的联合控制作用。可调导阀可以通过下游的出口压力并随它的变化而开大或关小其自身的小阀口，从而改变隔膜(活塞)上方控制的压力值，控制主阀阀盘的调节位置。

A hydraulic control valve is a valve that is controlled by water pressure, which takes a main valve (shown in figure 1) and its attached catheter, guide valve, needle valve, ball valve and pressure gauge. According to the use purpose, function and the difference of the place can be transformed into the remote control float ball valve, the pressure-relief valve, the relief valve, the relief valve, the hydraulic electric control valve and so on. Hydraulic control valve diaphragm type and piston type two kinds, the working principle of the same, is more than the downstream pressure difference ΔP , is controlled by a pilot valve, the diaphragm (piston) hydraulic differential operation, entirely by hydraulic automatic adjustment, so that the main valve valve fully open or fully closed or in a state of adjustment. When entering the diaphragm (piston) pressure of control room above the downstream of the water is discharged into atmosphere, or low pressure area, effect in the bottom of the valve plate above and below the diaphragm of the pressure value is greater than the pressure value, so the main valve plate to the fully open position; When entering the diaphragm (piston) pressure above the control room of water cannot be discharged into atmosphere, or downstream of the low pressure area, effect of the pressure on the top of the diaphragm (piston) value is greater than at the bottom of the pressure value, so will the pressure of the main valve disc to the fully closed position, when the diaphragm (piston) pressure of control room above the value in the inlet pressure and outlet pressure, the main valve disc is in a state of adjustment, adjust the position depends on the different needle valve in the pipe system and adjustable pilot valve joint control function. Adjustable valve can through the downstream outlet pressure and along with the change of it up or down its own small valve port, thus changing the diaphragm (piston) pressure above the control value, control the regulation of the main valve disc position.

主要外形及连接尺寸 Main external and connecting dimensions(mm)

公称口径DN(mm)		25	32	40	50	60	80	100	125	150	200	250	300	350	400	450	500	600	700	800
L		160	180	200	205	215	240	290	325	355	458	530	615	686	762	864	914	1068	1300	1450
PN10	D	115	135	145	160	180	195	215	245	280	385	390	440	500	585	615	670	780	895	1010
	D1	85	100	110	125	145	160	180	210	240	295	350	400	460	515	565	620	725	840	950
PN16	D	115	135	145	160	180	195	215	245	280	335	405	480	520	580	640	705	840	910	1020
	D1	85	100	110	125	145	160	180	210	240	295	355	410	470	525	585	650	770	940	950
PN25	D	110	135	145	160	180	195	230	270	300	360	425	485	550	610	660	730	840	955	1070
	D1	85	100	110	125	145	160	190	220	250	310	370	430	490	550	660	660	770	875	990
H		172	172	265	265	310	350	460	520	570	695	780	595	1025	1080	1080	1135	1270	1460	1640
H1		106	106	210	210	215	245	305	365	415	510	560	658	696	735	610	665	725	865	975

注：安装示意图中弹性座封闸阀或伸缩蝶阀，任选。

Note: In the installation diagram, elastic block sealing gate valve or telescopic butterfly valve, optional.

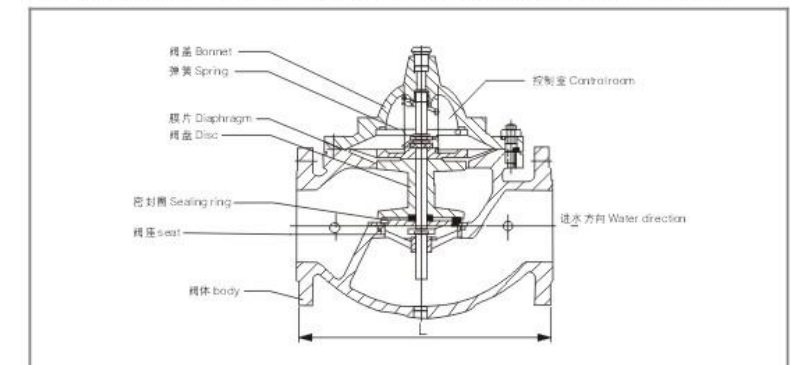
主要零件材质 Material Specifications

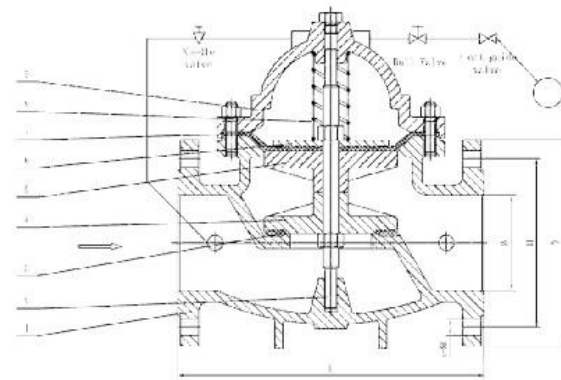
零件名称 Part name	材质 Material
阀体 Body	铸铁、铸钢、球铁 Cast iron, cast steel, ball iron
过滤器 Strainer	铜 Copper
调节阀 Control valve	铜 Copper
阀杆 Stem	不锈钢 Stainless steel
膜片及压板 Diaphragm and pressure plate	丁腈橡胶、球铁 Nitrile rubber, ball iron
上盖 On cover	球铁、青铜 Iron and bronze
缓闭阀板 Slowly closing valve plate	不锈钢 Stainless steel
弹簧 Spring	硅锰钢 Silicon manganese steel
大阀盘 Big disc	球铁 Ductile iron
阀座 Seat	铜、不锈钢 Copper and stainless steel
膜片座 Diaphragm seat	铸铁、铸钢、球铁 Cast iron, cast steel, ball iron
调节阀 Control valve	铜 Copper
过滤器 Strainer	铜 Copper

主要技术参数 Main technical parameters

公称压力 PN(MPa)	试验压力 Test pressure (Mpa)		适用介质 Applicable medium	工作温度 Working temperature
	壳体 Shell	密封 Seal		
1.0	1.5	1.10	无杂物的清水、污水和 sewage Sundry water and sewage	$\leq 80^{\circ}\text{C}$
1.6	2.4	1.76		
2.5	4.0	2.75		

主阀(隔膜型)结构图 Main valve (diaphragm) structure diagram





Product introduction

The valve body of this product adopts the global channel streamline design, the fluid resistance is small, the flow rate is big, the sealing effect is good. Due to the main valve equipped with a pipe control system, the use of water operation, can automatically control the water tower or pool level. Simple maintenance, flexible and durable, high accuracy of liquid control, water level is not disturbed by water pressure and closed tightly watertight.

Technical Request

1. Inspection: EN13709-2002
2. Face to Face Length: BS EN558
3. Valve Test: EN12266
4. Flange standard: EN1092-2, BS4504

Material Specifications

Pressure PN	1.6MPa	2.5MPa	
Test pressure	Shell test	2.4MPa	3.75MPa
	Seal test	1.76MPa	2.75MPa
Trial temperature	≤80°C		
Applicable medium	Water		

Structure and main parts materials

NO	Name	Material
1	Body	QT450
2	Stem	2Cr13
3	Seal Ring	NBR
4&5	Disc	QT450+NBR
6	Diaphragm plate	45#
7	Diaphragm	Reinforced NBR
8	Spring	Stainless steel
9	Bonnet	QT450
	Needle valve	SS304
	Ball valve	SS304
	Float guide valve	SS304

Main external and connecting dimensions(mm)

DN	L	D		D1		n-d		阀门通径到顶部H1	中口法兰到阀门顶部H
		PN16	PN25	PN16	PN25	PN16	PN25		
50	190	165	165	125	125	4-18	4-18	140	75
65	210	185	185	145	145	4-18	8-18	150	80
80	240	200	200	160	160	8-18	8-18	170	105
100	270	215	230	180	190	8-18	8-22	210	115
125	285	245	265	210	220	8-18	8-26	230	140
150	325	280	295	240	250	8-22	8-26	260	160
200	380	335	355	295	310	12-22	12-26	305	220
250	450	400	420	355	370	12-26	12-30	400	230
300	525	455	480	410	430	12-26	16-30	450	275
350	560	515	550	470	490	16-26	16-33	510	305
400	630	575	615	525	550	16-30	16-36	650	345
450	670	635	665	585	600	20-30	20-36	650	410
500	720	710	725	650	660	20-33	20-36	750	455
600	800	835	840	770	770	20-36	20-39	880	485
700	1100	910	960	840	875	24-36	24-42	950	530
800	1200	1025	1085	950	990	24-39	24-48	1100	570

Working principle

When the pipe feeds water from the inlet end of the valve, since the needle valve 20, the ball valve 19 and the float valve 18 are normally open, the water passing through the microfilter 21 and the needle valve 20 enters the bonnet control chamber, and then passes through the ball valve 19 and the float valve 18 flows into the water tank, and no pressure can be formed in the control room, and the pressure water entering the main valve disc lifts the main valve disc, and opens the main valve disc like a large amount of water supply in the water tank. When the water level in the water tank gradually rises, when the float ball is closed and the float valve 18 is closed, the water in the bonnet control chamber gradually increases the pressure until the main valve disc is closed, because the general main valve is installed outside the water tank, and the float ball valve installed in the water tank, it plays the role of automatic remote control of the water level.

Installation and maintenance

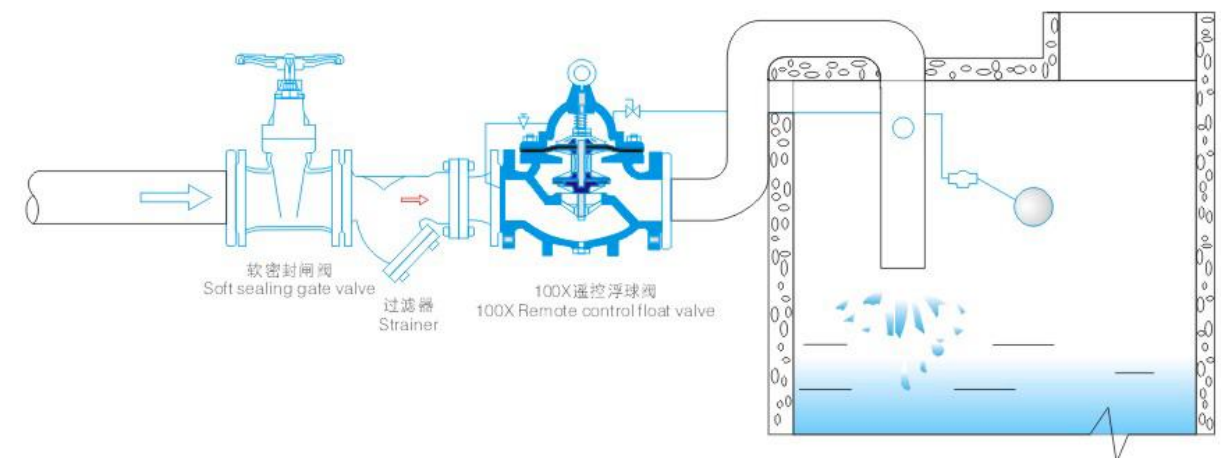
The main valve is installed on the inlet pipe of the pool or the high water tower. The best installation method is horizontally installed on the pipeline, the valve cover is facing upwards, and the vertical installation can also achieve the operation function.

Thoroughly remove any debris from the pipe before installation and thoroughly flush the pipe. When installing, pay attention to the external flow indication arrow of the valve and follow the direction to install.

A gate valve and a filter should be installed in front of the main valve, and a gate valve should be installed after the main valve to facilitate maintenance.

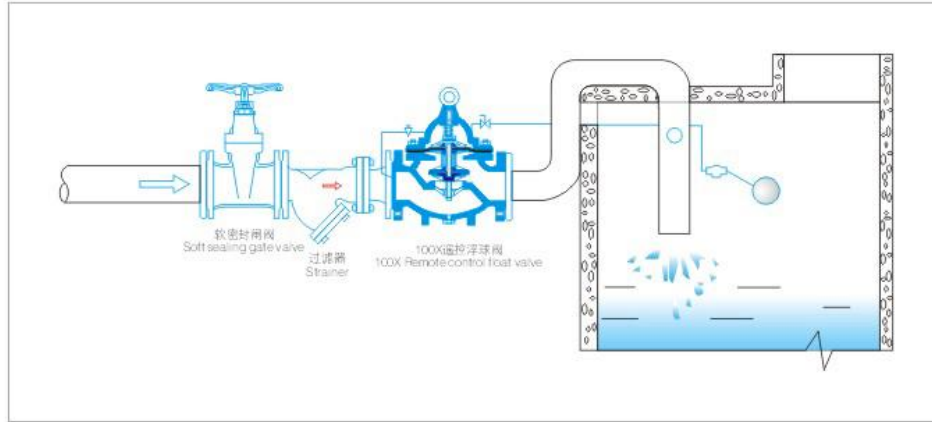
When testing the water, slowly open the gate valve in front of the main valve, slowly increase the pressure, and pay attention to whether the control line outside the main valve leaks.

The microfilter 21 outside the main valve inlet is cleaned once every 2-3 months.



If the main valve is installed in the shading well, there should be enough maintenance space around the main valve. The main valve is large diameter (≥DN100). The inlet hole must be placed at the upper end of the main valve for easy installation and maintenance.

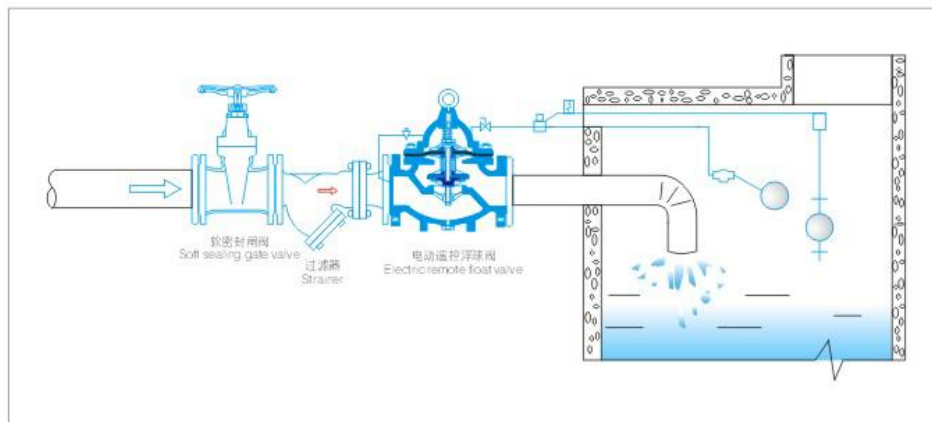
100X遥控浮球阀
100X Remote control float valve



控制水塔或水池的液面，保养简单，灵活耐用，液位控制准确度高，水位不受水压干扰且开关紧密不漏水。控制浮球可与主阀体分离式安装。

Control the liquid surface of the water tower or cistern, maintain simple, flexible and durable, the liquid level control accuracy is high, the water level is not disturbed by the water pressure and the switch is tight. The control float can be installed with the main valve body.

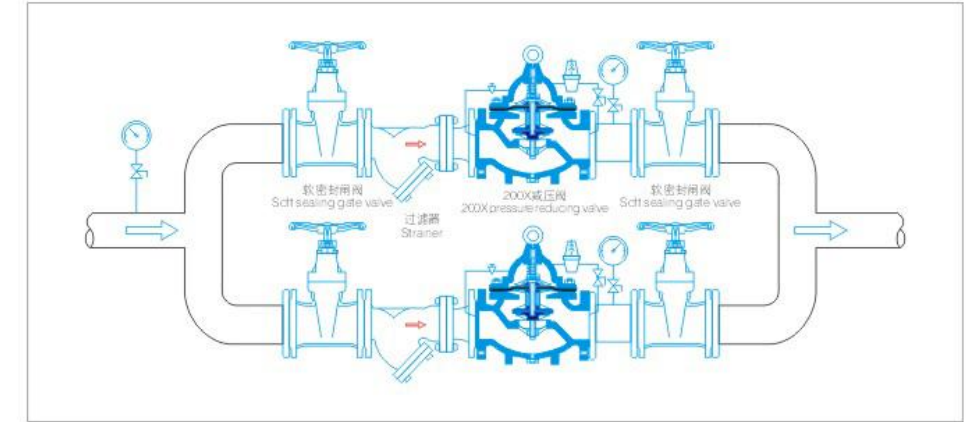
电动遥控浮球阀
Electric remote float valve



控制水塔或水池的液面，保养简单，灵活耐用，液位控制准确度高，水位不受水压干扰且开关紧密不漏水。控制浮球可与主阀体分离式安装。附加电磁控制可形成第二道保险，以防溢流。

Control the liquid surface of the water tower or cistern, maintain simple, flexible and durable, the liquid level control accuracy is high, the water level is not disturbed by the water pressure and the switch is tight. The control float can be installed with the main valve body. Additional electromagnetic control can form a second insurance to prevent overflow.

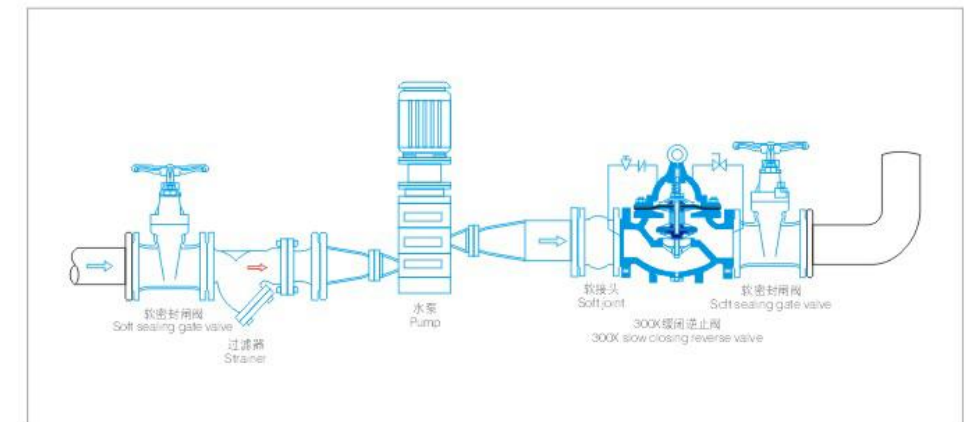
200X减压阀
200X pressure reducing valve



主要控制主阀的固定出口压力，主阀出口压力不因进口压力变化而改变，亦不因主阀出口流量的变化而改变其出口压力，适用于工业给水、消防供水及生活水管网系统。

Main control fixed outlet pressure, the main valve inlet pressure, the main valve outlet pressure has no change and change, nor because of the change of the main valve outlet flow to change its outlet pressure, suitable for industrial water supply, fire water supply and water pipe network system.

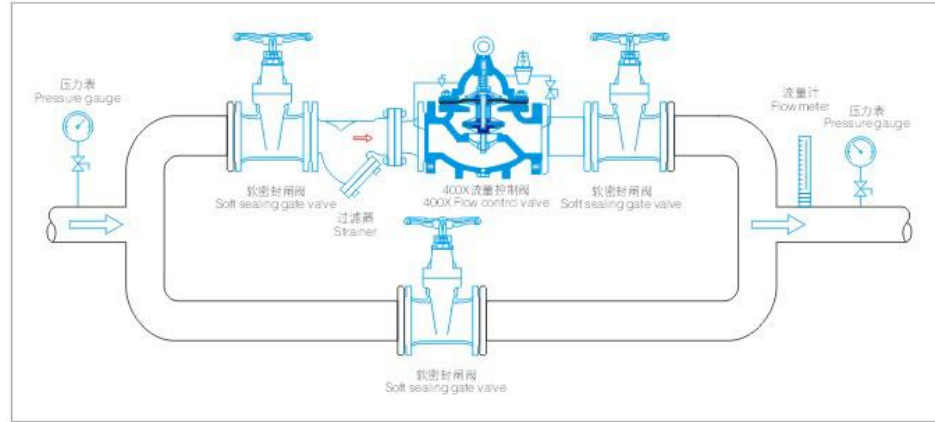
300X缓闭止回阀
300X slow closing reverse valve



具有开启和关闭速度调控的止回阀，于启动或停止抽水机运转时，可配合现场调节至最佳开启或关闭速度。可用于高层建筑，减少水锤及水声现象产生，以达安静关闭之效果。

The reverse stop valve with opening and closing speed control can be adjusted to the best opening or closing speed when the pumping machine is started or stopped. It can be used in high-rise buildings to reduce water hammer and water acoustic phenomena to achieve quiet closure.

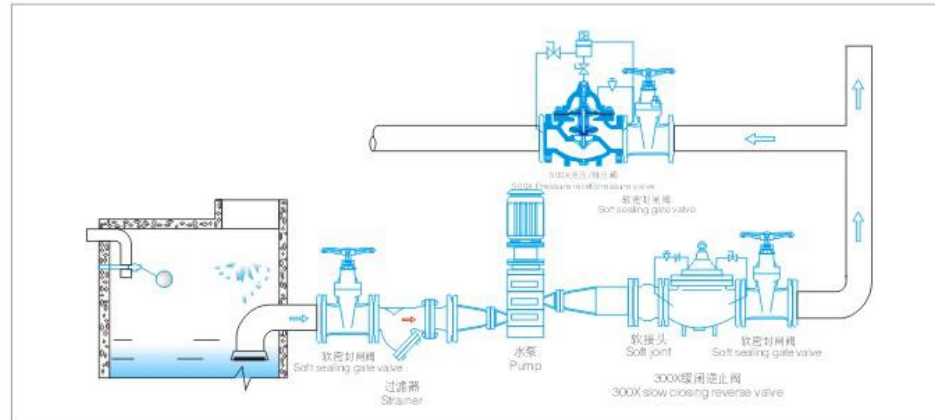
400X流量控制阀
400X Flow control valve



作用与用途：主阀安装在配水管路需控制流量和压力的管路中，保持预定流量不变，将过大流量限制在一个预定值，将上游高压减为下游低压。即使主阀上游的压力变化，也不会影响主阀下游的流量。

Functions and purposes: the main valve installed in the road pipes to control flow and pressure of the pipeline, the scheduled traffic unchanged, limit excessive flow to a predetermined value, to reduce the high pressure upstream to downstream of low pressure. Even the pressure changes upstream of the main valve will not affect the downstream flow of the main valve.

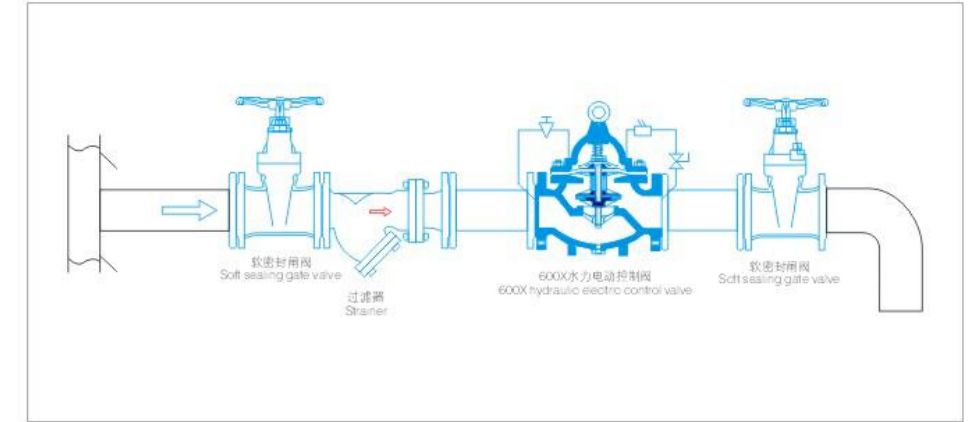
500X泄压/持压阀
500X Pressure relief/pressure valve



泄压阀：可将水管中超过引导阀安全设定值之压力释放，并维持管中压力于一安全设定值以下，以防止管中高压或突压(SURGE)损坏管线及设备。可用于高层大楼消防测试循环系统之泄压用，以防止水压过高造成系统危险。持压阀：可维护主阀上游供水压力于某一设定值以上，以保障主阀上游供水区之压力。紧急开启阀：装于消防喷淋泵出水口处，当泵出水口处压力上升至某一设定值以上时此阀立即开启。

Pressure relief valve: feed pipe can be more than guiding value for the pressure release valve, and maintain in the tube under pressure in a safe setting, in order to prevent the tube of high pressure or pressure or sudden (SURGE) damage to piping or equipment. It can be used in the fire test circulating system of high-rise building to prevent the water pressure from being too high. Holding valve: the upstream water supply pressure of the main valve can be maintained above a set value to ensure the pressure of the upstream water supply area of the main valve. Emergency opening valve: Installed in the outlet of the fire spray pump. The valve is opened immediately when the pressure of the pump outlet is increased to above a certain set value.

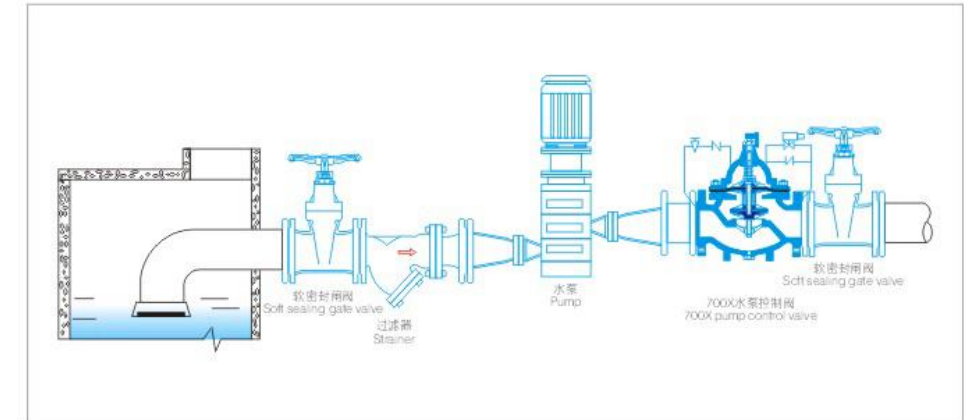
600X水力电动控制阀
600X hydraulic electric control valve



装置于管路中，可做为遥控开启或关闭之功能，同时可加装速度调控装置。可取代用来启闭闸阀或蝶阀用之大型电动操作机，维修简单。

The device can be used as the function of remote opening or closing, and can be installed with speed control device. It can replace the large electric operator used for opening or closing gate valve or butterfly valve.

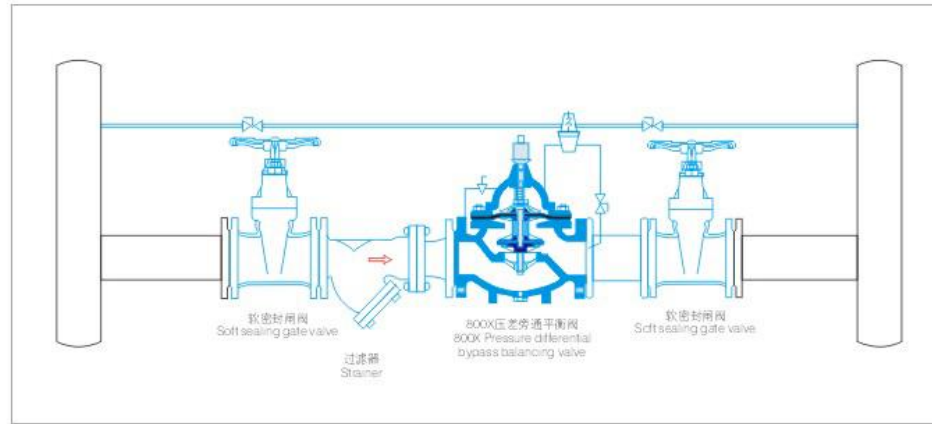
700X水泵控制阀
700X pump control valve



作用与用途：该阀由主阀4、针阀 2、电磁导向阀 7、单向阀6、球阀3、电器控制开关1与压力表5等组成，水泵控制阀能够控制水泵的止回阀。当水泵停止运行前，由进口压力先关闭主阀的90%时，使水泵自动停止，剩下的10%由回水关闭，可完全防止水锤现象产生。适用于工矿、企业、高层建筑中由水泵直接供水及生活用水管网系统。

Functions and purposes: the valve consists of main valve, 4. needle valve, 2. Solenoid operated valve 7, one-way valve 6, ball valve, 3. Electrical control switch 1 and pressure gauge 5, etc., water pump control valve can control water pump check valve. When the pump stops running, the water pump automatically stops when the inlet pressure closes 90% of the main valve, and the remaining 10% is turned off by backwater to prevent the water hammer from producing. It is suitable for direct water supply and living water pipe network system in mining, enterprises and high-rise buildings.

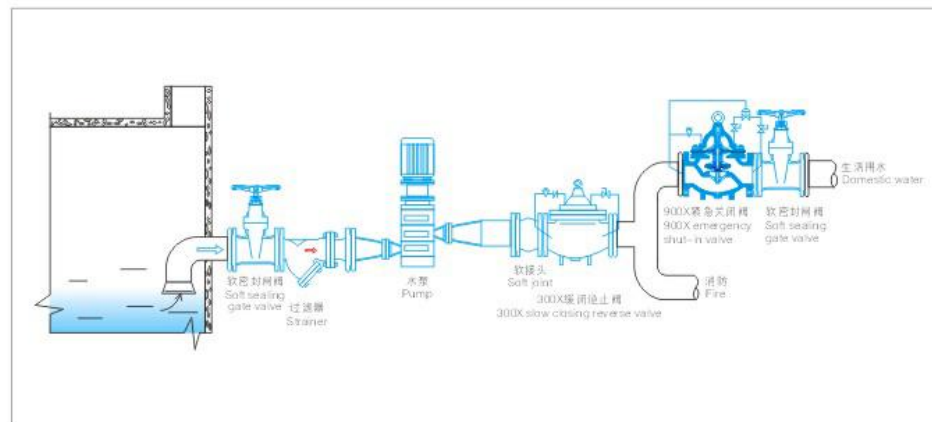
800X压差旁通平衡阀
800X Pressure differential bypass balancing valve



用于空调系统供/回水之间，保证供/回水之间的差压，提高系统的利用率。保持压差的精确恒定值，可降低系统的噪音，以及过大差压对设备的损坏。

For air conditioning system supply/backwater, to guarantee the difference pressure between supply/backwater and improve the utilization ratio of the system. Maintain accurate constant pressure, reduce the noise of the system, and the damage to the equipment.

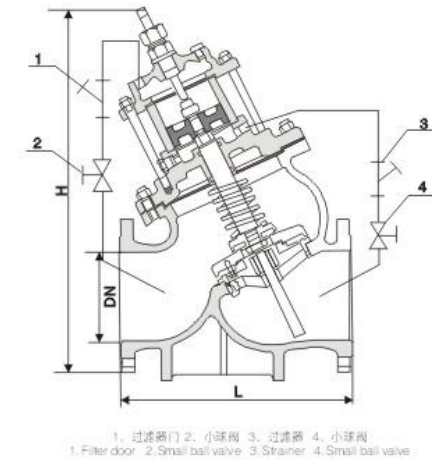
900X紧急关闭阀
900X emergency shut-in valve



作用与用途：该阀是用于生活小区中消防用水与生活用水并联的供水系统中。当消防用水时，阀门自动紧急关闭，切断生活用水保证消防用水。当消防结束时，阀门自动打开，恢复生活供水。比传统的消防单独供水更能节约成本。

Function and purpose: this valve is used in the water supply water system which is used in parallel with water and domestic water. When the fire water is used, the valve is automatically closed and the water is cut off. When the fire is over, the valve will open automatically and restore the water supply. More cost-effective than traditional fire services alone.

745X活塞式多功能水泵控制阀
745X piston type multi-function pump control valve



典型安装示意图 Main technical parameters



活塞式多功能水泵控制代是安装在大口径给水管网系统的水泵出口处、防止介质倒流、水锤及水击现象的智能型阀门。该阀兼具电动阀、止回阀和水锤消除器三种功能，可有效地提高供水系统的安全可靠性。双腔室、双阀瓣结构可使阀门在停泵后迅速关闭90%（防止回流介质导致水泵反转），再缓慢关闭其余10%（消除破坏性水锤）活塞式阀门性能可靠、强度高、动作平稳，防止开泵水锤和停泵水锤的场合。只需操作水泵电机按钮，阀门即可按照水泵操作规程自动实现启闭，流量大、压力损失小。

The piston type multi-function pump control system is the intelligent valve installed in the outlet of the pump outlet of the large-caliber water supply pipe network, preventing the backflow of the medium, water hammer and water hammer. The valve has three functions of electric valve, reverse stop valve and water hammer eliminator, which can effectively improve the safety and reliability of water supply system. Double Chambers and double disc structure can make the valve after the pump stopped quickly closed 90% (to prevent the backflow medium pump inversion), and then slowly closing the remaining 10% (eliminate destructive water hammer) piston valve is reliable in performance, high strength, smooth movement, prevent pumping water hammer and stop the pump water hammer. The valve can automatically realize the opening and closing according to the operating procedures of the pump motor, and the discharge volume and pressure loss are small.

产品概述

H142X液压水位控制阀是一种自动控制水箱、水塔液面高度的水力控制阀。当水面下降超过预设值时，浮球阀打开，活塞上腔室压力降低。活塞上下形成压差，在H142X液压水位控制阀压差作用下H142X液压水位控制阀的阀瓣打开进行供水作业；当水位上升到预设高度时，浮球阀关闭，活塞上腔室压力不断增大致使阀瓣关闭停止供水。如此往复自动控制液面在设定高度，实现自动供水功能。

Product overview

H142X hydraulic water level control valve is a hydraulic control valve that automatically controls the height of water tank and water tower. When the water level drops beyond the preset value, the float valve opens and the pressure in the upper chamber of the piston decreases. Pressure difference is formed between the piston and the lower part. Under the pressure difference of H142X hydraulic water level control valve, the disc of H142X hydraulic water level control valve is opened for water supply operation. When the water level rises to the preset height, the float valve closes, and the increased pressure in the upper chamber of the piston causes the disc to close and stop supplying water. So reciprocating automatic control liquid level at the set height, the realization of automatic water supply function.

工作原理

当水池或水塔内水位下降，浮球阀开启排水时，进水管内有压水将阀内活塞托起，密封面打开，阀门即开启供水，当水位上升到控制阀时，浮球阀关闭，活塞下移将密封面封闭，阀门即停止供水。

Working principle

When the water level in the pool or water tower drops and the float valve is opened for drainage, the pressure water in the inlet pipe lifts the piston in the valve and the sealing surface opens, the valve opens water supply. When the water level rises to the control valve, the float valve closes, the piston moves down to close the sealing surface, and the valve stops water supply.

技术参数

使用介质：纯净水
使用压力：H142X-4T-A、H142X-4-A：0.05MPa~0.4MPa
H142X-10-A：0.05MPa~1MPa
介质温度：≤60℃

Technical parameters

Use medium: clean water
Working pressure: H142X-4T-A, H142X-4-A: 0.05MPa ~ 0.4MPa
H142X-10-A: 0.05MPa ~ 1MPa
Medium temperature: ≤60℃

性能特点

- 1、运用液压原理控制，结构新颖合理。
- 2、工作平稳可靠。在规定的压力使用范围内，可保证无水锤冲击。
- 3、重量轻，体积小。
- 4、安装维修方便。

Performance characteristics

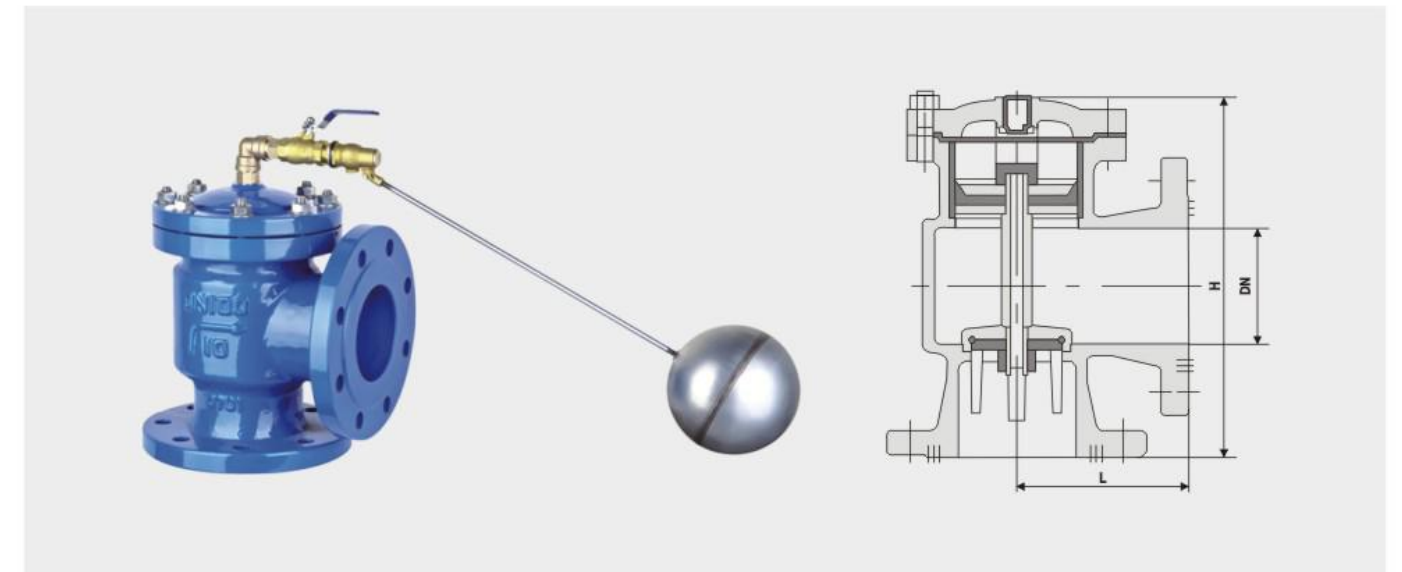
1. The use of hydraulic control, the structure is novel and reasonable.
2. Stable and reliable work. No water hammer impact can be guaranteed within the specified operating pressure range.
3. Light weight and small volume.
4. Easy installation and maintenance.

安装形式及注意事项

将该阀垂直固定在进水管上，然后将控制管、截止阀和浮球阀连接旋紧在该阀上即可。该阀进水管和出水管连接法兰H142X-4T-A为0.6MPa标准法兰；H142X-10-A为1MPa标准法兰。进水管直径应大于或等于阀门公称口径，出水口应低于浮球阀。浮球阀安装应距离水管一米以上；在水箱内出水管高于水位线处钻一小孔，以防真空回水。使用时，截止阀应全开，如同一水池安装二只以上阀则应保持同一水平面。因主阀关闭要滞后浮球阀关闭约30~50秒，故水箱要有足够的空余容积，以防溢水。为防止杂质、砂粒进入阀内引起工作失灵，阀前应装过滤器。如安装在地下水池，则应在地下泵房安装报警装置。

Installation form and matters needing attention

Fix the valve vertically on the inlet pipe, then screw the control pipe, globe valve and float valve together on the valve. The connection flange of the inlet pipe and outlet pipe of the valve H142X-4T-A 0.6MPa standard flange; H142X-10-A 10MPa standard flange. The inlet pipe diameter shall be greater than or equal to the nominal size of the valve, and the outlet shall be lower than the float valve. Float valve installation should be more than one meter away from the water pipe; Drill a small hole above the water level in the water tank to prevent direct air backwater. When in use, the globe valve should be fully open, as a pool of more than two valves should be kept at the same level. Because main valve closes want to lag float valve closes about 30 ~ 50 seconds, reason cistern should have enough free volume, in case overflow water. In order to prevent impurities, sand into the valve caused by failure, the valve should be installed before the filter. If installed in an underground tank, an alarm device should be installed in the underground pump room.



零部件材料

零件名称	阀体	蝶板	密封圈	阀杆	填料
材料	灰铸铁、碳钢	灰铸铁、碳钢、球墨铸铁、不锈钢	氟丁橡胶、丁腈耐油橡胶	不锈钢	聚四氟乙烯

Component materials

Part name	Body	Butterfly plat	Sealing ring	Stem	Packing
Material	Gray cast iron, Carbon steel	Gray cast iron, Carbon steel, Ductile iron, Stainless steel	Neoprene rubber, Nitrileoil resistant rubber	Stainless steel	Polytetrafluoroethylene

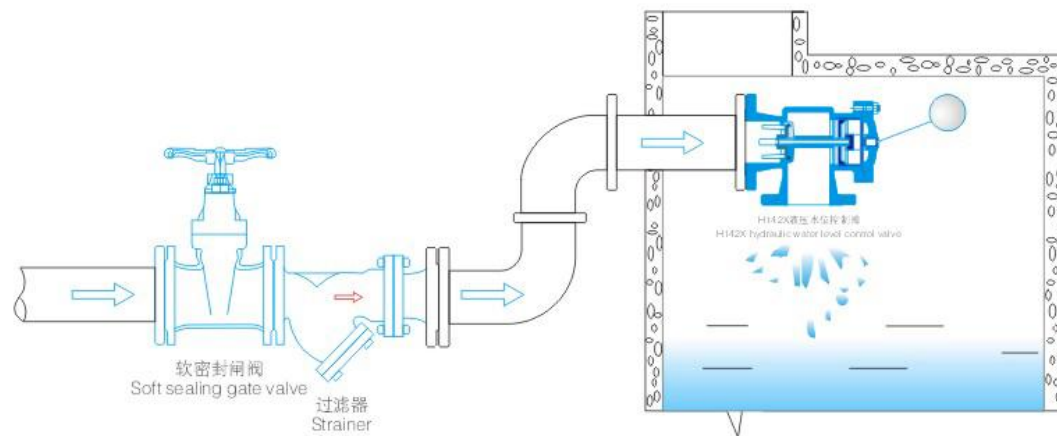
性能参数

型号	公称压力 PN(MPa)	强度试验压(MPa)	密封压力 (MPa)	适用温度 (°C)	适用介质	缓闭时间
H142X	1.0	1.5	1.1	≤80	清水	≤60秒
	1.6	2.4	1.76			
	2.5	3.75	2.75			

Performance parameters

Model	Nominal pressure PN(MPa)	Strength test pressure (MPa)	Sealing pressure (MPa)	Suitable temperature (°C)	Applicable medium	Slowly-closing time
H142X	1.0	1.5	1.1	≤80	Clear water	≤60 seconds
	1.6	2.4	1.76			
	2.5	3.75	2.75			

结构示意图 Schematic diagram



DN	40	50	65	80	100	125	150	200	250	300	350
L	107	115	125	135	146	165	180	215	255	285	325
H	235	243	258	280	307	358	400	490	576	663	750

选型要点

- 1、工程中应用的水力控制阀是经过制造厂检验合格，各种标识齐全，技术资料符合要求的产品。
- 2、根据功能要求，选择阀门种类，再根据管道输送介质、温度、建筑标准和业主要求等，确定阀门的阀体和密封部位的材质。常用的阀体材料有铸铁、铜铁、铜、塑料等。常用的密封面和衬里材料有铜合金、塑料、钢、硬质合金、橡胶等。阀体材料应与管道材料相匹配。
- 3、阀门的公称压力有0.6、1.0、1.6、2.5和4.0MPa等不同级别，管道输送的介质，其工作压力应小于阀门的公称压力值。
- 4、工程中水力控制阀的设置应当有足够的空间，以便管理、操作、安装和维修，并应符合管路对阀门的要求。
- 5、管路采用法兰连接时，应采用法兰连接的水力控制阀；管路采用沟槽式连接时，应采用沟槽式连接的水力控制阀。
- 6、水利控制阀应设置在介质单向流动的管路上。
- 7、水利控制阀主体上的箭头方向必须与管路系统流向一致。
- 8、接水力控制阀管段不应有气堵、气阻现象。在管网最高位置等存气段应设置自动排气阀。
- 9、阀门水平安装时，阀盖、阀杆应朝上。垂直安装时，阀盖、阀杆应朝外。
- 10、阀门安装前应做强度和严密性试验。
- 11、阀门的强度和严密性试验应符合以下规定：
 - A、阀门的强度试验压力为公称压力的1.5倍；
 - B、阀门的严密性试验压力为公称压力的1.5倍；
 - C、试验压力在试验持续时间内应保持不变，且壳体填料及阀瓣密封面无渗漏；
 - D、阀门试验持续时间按上表。



Selection key points:

1. The hydraulic control valve applied in the engineering type is the product that has been inspected and qualified by the manufacturer, with all kinds of complete marks and technical data meeting the requirements.
2. Select the type of valve according to the functional requirements, and then determine the material of the valve body and sealing parts according to the pipeline transportation medium, temperature, building standards and owner requirements. Common valve body materials are cast iron, copper iron, copper, plastic and so on. Commonly used sealing surface and lining materials are copper alloy, plastic, steel, carbide, rubber and so on. The valve body material shall match the pipe material.
3. The nominal pressure of the valve is 0.6, 1.0, 1.6, 2.5 and 4.0MPa. The working pressure of the medium transported by the pipeline should be less than the nominal pressure value of the valve.
4. The setting of hydraulic control valves in the project shall have sufficient space for management, operation, installation and maintenance, and shall meet the requirements of pipelines for valves.
5. When pipelines are connected with flanges, hydraulic control valves connected with flanges shall be used. When the pipeline is connected by groove, the hydraulic control valve connected by groove shall be adopted.
6. Water control valve should be set in the one-way flow of medium pipeline.
7. The arrow direction on the main valve body of the water control valve shall be consistent with the flow direction of the pipeline system.
8. There should be no gas blockage or gas resistance in the pipe segment connected to the hydraulic control valve. Automatic exhaust valve shall be set at the highest position of the pipe network and other gas storage section.
9. When the valve is installed horizontally, the cover and stem should face up. When installing vertically, cover and stem should face outward.
10. Strength and tightness test should be done before valve installation.
11. The strength and tightness test of the valve shall meet the following requirements:
 - A. The strength test pressure of the valve is 1.5 times of the nominal pressure;
 - B. The tightness test pressure of the valve is 1.5 times of the nominal pressure;
 - C. The test pressure should remain unchanged during the test duration, and there is no leakage on the sealing surface of shell packing and valve disc;
 - D. The duration of valve test is shown in the table above.